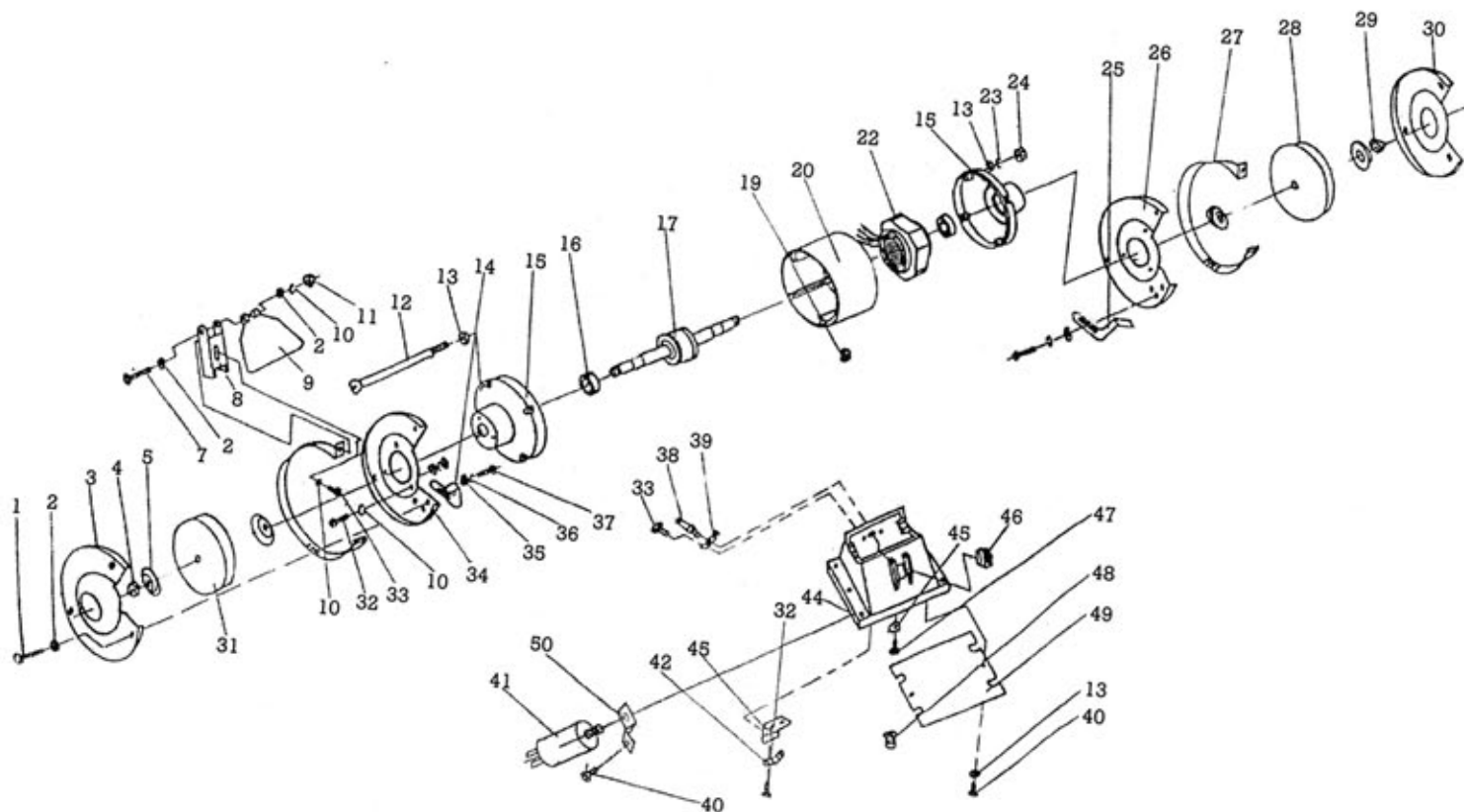


6" BENCH GRINDER

■ STOCK No.66804. ■ PART No.G150C.

SPARE PARTS LISTING

10/2001



KEY No.	PART No.	STOCK No.	DESCRIPTION
1	YG150C-01	68096	Screw
2	YG150C-02	68097	Washer
3	YG150C-03	68098	Left outer protection cover
4	YG150C-04	68099	Nut
5	YG150C-05	68100	Wheel flange
7	YG150C-07	68101	Screw
8	YG150C-08	68102	Eye shield bracket
9	YG150C-09	68103	Eye shield
10	YG150C-10	68104	Spring washer
11	YG150C-11	68105	Nut
12	YG150C-12	68106	Screw
13	YG150C-13	68107	Washer
14	YG150C-14	68108	Left tool rest
15	YG150C-15	68109	End cover
16	YG150C-16	68110	Bearing
17	YG150C-17	68111	Rotor
19	YG150C-19	68112	Cable protection
20	YG150C-20	68113	Motor body
22	YG150C-22	68114	Stator
23	YG150C-23	68115	Spring washer
24	YG150C-24	68116	Nut
25	YG150C-25	68117	Right tool rest
26	YG150C-26	68118	Right inner protection cover
27	YG150C-27	68119	Middle ring

KEY No.	PART No.	STOCK No.	DESCRIPTION
28	See Draper Catalogue		Grinding wheel
29	YG150C-29	68120	Nut
30	YG150C-30	68121	Right outer protection cover
31	See Draper Catalogue		Grinding wheel
32	YG150C-32	68122	Screw
33	YG150C-33	68123	Screw
34	YG150C-34	68124	Left inner protection cover
35	YG150C-35	68125	Washer
36	YG150C-36	68126	Spring washer
37	YG150C-37	68127	Bolt
38	YG150C-38	68128	Cable protection
39	YG150C-39	68129	Mounting plate
40	YG150C-40	68130	Screw
41	YG150C-41	68131	Capacitor
42	YG150C-42	68132	Cable grip
43	YG150C-43	68133	Clamping cord base
44	YG150C-44	68134	Base
45	YG150C-45	68135	Lock washer
46	YG150C-46	68136	Switch
47	YG150C-47	68137	Bolt
48	YG150C-48	68138	Rubber feet
49	YG150C-49	68139	Bottom plate
50	YG150C-50	68140	Capacitor bracket