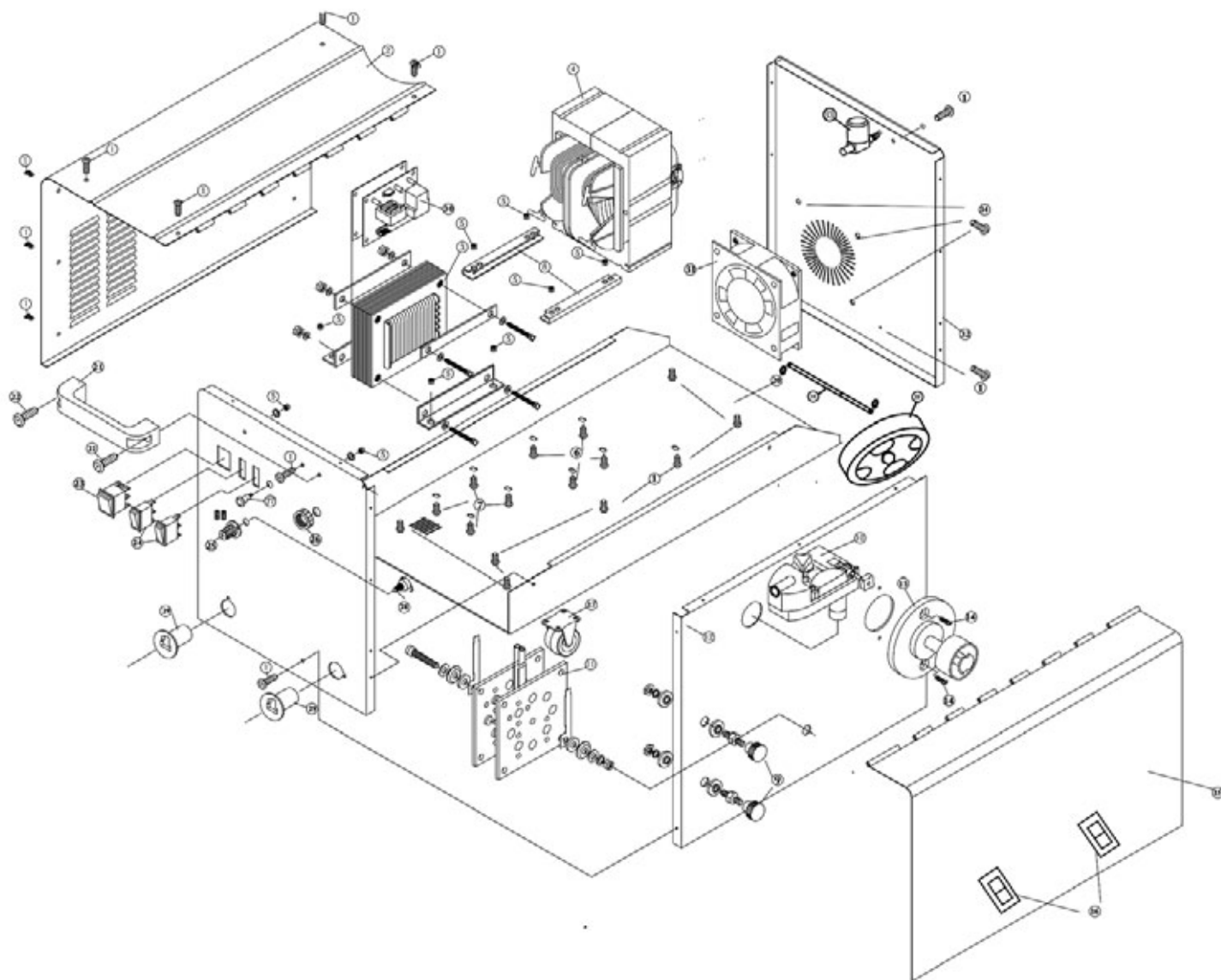


230V 160A

MIG WELDER

71095 - MW170T SPARE PARTS DRAWING





230V 160A

MIG WELDER

71095 - MW170T SPARE PARTS DRAWING

KEY No.	PART No.	STOCK No.	DESCRIPTION
1	YMW170-1	77680	Screw
2	YMW170-2	77689	Right panel
3	YMW170-3	77694	Reactor
4	YMW170-4	77695	Transformer
5	YMW170-5	77710	Nut
6	YMW170-6	77734	Screw
7	YMW170-7	77738	Screw
8	YMW170-8	77739	Bottom bracket
9	YMW170-9	77742	Knob
10	YMW170-10	77743	Wire feeder
11	YMW170-11	77747	Rectifier
12	YMW170-12	77748	Middle panel
13	YMW170-13	77791	Wire feeder loader
14	YMW170-14	77870	Screw
15	YMW170-15	77871	Left panel
16	YMW170-16	77879	Lock
17	YMW170-17	77880	Guiding wheel

KEY No.	PART No.	STOCK No.	DESCRIPTION
18	YMW170-18	77881	Bar
19	YMW170-19	77882	Wheel
20	YMW170-20	77890	Bottom cover
21	YMW170-21	78067	Handle
22	YMW170-22	78164	Screw
23	YMW170-23	78204	Power switch
24	YMW170-24	78215	Switch
25	YMW170-25	78264	Knob
26	YMW170-26	78268	Water joint
27	YMW170-27	78271	Hot light
28	YMW170-28	78273	Potentionmeter
29	YMW170-29	78279	Cable gland
30	YMW170-30	78295	PC board
31	YMW170-31	78406	Fan
32	YMW170-32	78408	Back panel
33	YMW170-33	78409	Gas valve
34	YMW170-34	78412	Screw