



DRAPER[®]

230V 300W QUICK CHANGE

OSCILLATING MULTI-TOOL

78429



These instructions accompanying the product are the original instructions. This document is part of the product, keep it for the life of the product passing it on to any subsequent holder of the product. Read all these instructions before assembling, operating or maintaining this product.

This manual has been compiled by Draper Tools describing the purpose for which the product has been designed, and contains all the necessary information to ensure its correct and safe use. By following all the general safety instructions contained in this manual, it will ensure both product and operator safety, together with longer life of the product itself.

All photographs and drawings in this manual are supplied by Draper Tools to help illustrate the operation of the product.

Whilst every effort has been made to ensure the accuracy of information contained in this manual, the Draper Tools policy of continuous improvement determines the right to make modifications without prior warning.

1. TITLE PAGE

1.1 INTRODUCTION:

USER MANUAL FOR: 230V 300W OSCILLATING MULTI-TOOL

Stock No: 78429

Part No: MT400D

1.2 REVISION HISTORY:

Date first published: March 2021.

As our user manuals are continually updated, users should make sure that they use the very latest version.

Downloads are available from: <http://drapertools.com/manuals>

Draper Tools Limited
Hursley Road
Chandler's Ford
Eastleigh
Hampshire
SO53 1YF
UK

Website: drapertools.com

Product help line: +44 (0) 23 8049 4344

General Fax: +44 (0) 23 8026 0784

1.3 UNDERSTANDING THIS MANUAL'S SAFETY CONTENT:

WARNING! – Information that draws attention to the risk of injury or death.

CAUTION! – Information that draws attention to the risk of damage to the product or surroundings.

1.4 COPYRIGHT © NOTICE:

Copyright © Draper Tools Limited.

Permission is granted to reproduce this publication for personal and educational use only. Commercial copying, redistribution, hiring or lending is prohibited.

No part of this publication may be stored in a retrieval system or transmitted in any other form or means without written permission from Draper Tools Limited.

In all cases this copyright notice must remain intact.

2. CONTENTS

2.1 CONTENTS

1. TITLE PAGE	
1.1 INTRODUCTION	2
1.2 REVISION HISTORY	2
1.3 UNDERSTANDING THIS MANUAL'S SAFETY CONTENT	2
1.4 COPYRIGHT® NOTICE	2
2. CONTENTS	
2.1 CONTENTS	3
3. WARRANTY	
3.1 WARRANTY	4
4. INTRODUCTION	
4.1 SCOPE	5
4.2 SPECIFICATION	5
4.3 HANDLING AND STORAGE	5
5. HEALTH AND SAFETY INFORMATION	
5.1 GENERAL SAFETY INSTRUCTIONS FOR POWER TOOL USE	6
5.2 ADDITIONAL SAFETY INSTRUCTIONS FOR OSCILLATING MULTI-TOOLS	7
5.3 RESIDUAL RISK	7
5.4 CONNECTION TO THE POWER SUPPLY (CHARGER)	8
6. TECHNICAL DESCRIPTION	
6.1 IDENTIFICATION	9
7. UNPACKING AND CHECKING	
7.1 PACKAGING	10
7.3 WHAT'S IN THE BOX	10
8. PREPARING THE OSCILLATING MULTI-TOOL	
8.1 FITTING THE BLADE ACCESSORIES	11
8.2 FITTING THE SANDING ACCESSORIES	12
8.3 FITTING THE DUST EXTRACTION ACCESSORY	13
9. OPERATING THE OSCILLATING MULTI-TOOL	
9.1 ON/OFF SWITCH	14
9.2 USING THE VARIABLE SPEED CONTROL	14
9.3 SECURING THE WORKPIECE	14
9.4 SANDING	14
9.5 SAWING WITH THE OFFSET SAW BLADE	14
9.6 SCRAPING	14
9.7 AUXILIARY HANDLE	15
10. MAINTENANCE	
10.1 MAINTENANCE	16
11. OPTIONAL ACCESSORIES	
11.1 OPTIONAL ACCESSORIES	17
12. EXPLANATION OF SYMBOLS/PICTOGRAMS	
12.1 EXPLANATION OF SYMBOLS	18
13. DISPOSAL	
13.1 DISPOSAL	19
DECLARATION OF CONFORMITY	ENCLOSED

3. WARRANTY

3.1 WARRANTY

Draper tools have been carefully tested and inspected before shipment and are guaranteed to be free from defective materials and workmanship.

Should the tool develop a fault, please return the complete tool to your nearest distributor or contact

Draper Tools Limited, Chandler's Ford, Eastleigh, Hampshire, SO53 1YF. England.

Telephone Sales Desk: (023) 8049 4333 or Product Help Line (023) 8049 4344.

A proof of purchase **must** be provided with the tool.

If upon inspection it is found that the fault occurring is due to defective materials or workmanship, repairs will be carried out free of charge. This warranty period covering parts is 24 months and labour is 12 months from the date of purchase except where tools are hired out when the warranty period is 90 days from the date of purchase. This warranty does not apply to any consumable parts, any type of battery or normal wear and tear, nor does it cover any damage caused by misuse, careless or unsafe handling, alterations, accidents, or repairs attempted or made by any personnel other than the authorised Draper warranty repair agent.

Note: If the tool is found not to be within the terms of warranty, repairs and carriage charges will be quoted and made accordingly.

This warranty applies in lieu of any other warranty expressed or implied and variations of its terms are not authorised.

Your Draper warranty is not effective unless you can produce upon request a dated receipt or invoice to verify your proof of purchase within the warranty period.

Please note that this warranty is an additional benefit and does not affect your statutory rights.

Draper Tools Limited.

4. INTRODUCTION

4.1 SCOPE

For detail and finishing work such as sanding, cutting, scraping, etc.

This product is intended for domestic and infrequent light trade use only. Any application other than that it was intended for, is considered misuse.

4.2 SPECIFICATION

Stock no.	78429
Part no.	MT400D
Motor:	
Rated voltage	230V~
Rated frequency	50Hz
Rated input	300W
Revolutions per minute (no load)	6-speed variable, 15,000-22,000o/min
Oscillating angle	3°
Sound pressure level (LpA)*	81dB(A)
Sound power level (LWA)**	92dB(A)
Vibration level	2.55m/s ²
Weight (machine only)	1.35kg

* Continuous A-Weighted Sound Pressure Level at the workstation in accordance to and declared according to latest directive.

** The typical A-Weighted noise level determined to latest directive.

4.3 HANDLING AND STORAGE

- Care must be taken when handling this product.
 - Dropping this power tool could have an effect on its accuracy and could also result in personal injury. This product is not a toy and must be respected.
- Environmental conditions can have a detrimental effect on this product if neglected.
 - Exposure to damp air can gradually corrode components.
 - If the product is unprotected from dust and debris, components will become clogged.
 - If not cleaned and maintained correctly or regularly, the machine will not perform at its best.

5. HEALTH AND SAFETY INFORMATION

5.1 GENERAL SAFETY INSTRUCTIONS FOR POWER TOOL USE

When using any type of power tool there are steps that should be taken to make sure that you, as the user, remain safe.

Common sense and a respect for the tool will help reduce the risk of injury.

Read the instruction manual fully. Do not attempt any operation until you have read and understood this manual.

Most important you must know how to safely start and stop this machine, especially in an emergency.

Keep the work area tidy and clean. Attempting to clear clutter from around the machine during use will reduce your concentration. Mess on the floor creates a trip hazard. Any liquid spilt on the floor could result in you slipping.

Find a suitable location. If the machine is bench mounted the location should provide good natural light or artificial lighting as a replacement. Avoid damp and dust locations as it will have a negative effect on the machine's performance. If the machine is portable do not expose the tool to rain. In all cases do not operate power tools near any flammable materials.

Keep bystanders away. Children, onlookers and passers by must be restricted from entering the work area for their own protection. The barrier must extend a suitable distance from the tool user. Unplug and house all power tools that are not in use. A power tool should never be left unattended while connected to the power supply. They must be housed in a suitable location, away locked up and from children. This includes battery chargers.

Do not overload or misuse the tool. All tools are designed for a purpose and are limited to what they are capable of doing. Do not attempt to use a power tool (or adapt it in any way) for an application it is not designed for. Select a tool appropriate for the size of the job. Overloading a tool will result in tool failure and user injury. This covers the use of accessories.

Dress properly. Loose clothing, long hair and jewellery are all dangerous because they can become entangled in moving machinery. This can also result in parts of body being pulled into the machine. Clothing should be close fitted, with any long hair tied back and jewellery and neck ties removed. Footwear must be fully enclosed and have a non-slip sole.

Wear personal protective equipment (PPE). Dust, noise, vibration and swarf can all be dangerous if not suitably protected against. If the work involving the power tool creates dust or fumes wear a dust mask. Vibration to the hand, caused by operating some tools for longer periods must be protected against. Wear vibration reducing gloves and allow long breaks between uses. Protect against dust and swarf by wearing approved safety goggles or a face shield. These are some of the more common hazards and preventions however, always find out what hazards are associated with the machine/work process and wear the most suitable protective equipment available.

Do not breathe contaminated air. If the work creates dust or fumes connect the machine (if possible) to an extraction system either locally or remotely. Working outdoors can also help if possible.

Move the machine as instructed. If the machine is hand held, do not carry it by the power supply cable. If the product is heavy, employ a second or third person to help move it safely or use a mechanical device. Always refer to the instructions for the correct method.

Do not overreach. Extending your body too far can result in a loss of balance and you falling. This could be from a height or onto a machine and will result in injury.

Maintain your tools correctly. A well maintained tool will do the job safely. Replace any damaged or missing parts immediately with original parts from the manufacturer. As applicable keep blades sharp moving parts clean, oiled or greased handles clean and emergency devices working.

5. HEALTH AND SAFETY INFORMATION

Wait for the machine to stop. Unless the machine is fitted with a safety brake, some parts may continue to move due to momentum. Wait for all parts to stop, then unplug it from the power supply before making any adjustments, carrying out maintenance operations or just finishing using the tool.

Remove and check setting tools. Some machinery requires the use of additional tools or keys to set, load or adjust the power tool. Before starting the power tool always check to make certain they have been removed and are safely away from the machine.

Prevent unintentional starting. Before plugging any machine in to the power supply, make sure the switch is in the OFF position. If the machine is portable, do not hold the machine near the switch and take care when putting the machine down, that nothing can operate the switch.

Carefully select an extension lead. Some machines are not suitable for use with extension leads. If the tool is designed for use outdoors, use an extension lead also suitable for that environment. When using an extended lead, select one capable of handling the current (amps) drawn by the machine in use. Fully extend the lead regardless of the distance between the power supply and the tool. Excess current (amps) and a coiled extension lead will both cause the cable to heat up and can result in fire.

Concentrate and stay alert. Distractions are likely to cause an accident. Never operate a power tool if you are under the influence of drugs (prescription or otherwise), including alcohol or if you are feeling tired. Being disorientated will result in an accident.

Have this tool repaired by a qualified person. This tool is designed to conform to the relevant international and local standards and as such should be maintained and repaired by someone qualified, using only original parts supplied by the manufacturer. This will ensure the tool remains safe to use.

5.2 ADDITIONAL SAFETY INSTRUCTIONS FOR OSCILLATING MULTI-TOOLS

Hold power tool by insulated gripping surfaces, when performing an operation where the cutting accessory may contact hidden wiring or its own cord. Cutting accessory contacting a “live” wire may make exposed metal parts of the power tool “live” and could give the operator an electric shock.

Always wear a dust mask, sanding and cutting operations can release dusts and some substances may be toxic when airborne. We recommend the use of extraction equipment and a suitable dust mask.

Take care when changing cutting blades as if recently used they may be hot from the friction of cutting and as such may cause personal injury. Always let cutters cool before attempting to change them.

5.3 RESIDUAL RISK

Important note: Although the safety instructions and operating manuals for our tools contain extensive instructions of safe working with power tools, every power tool involves a certain residual risk which can not be completely excluded by safety mechanisms. Power tools must therefore always be operated with caution!

5. HEALTH AND SAFETY INFORMATION

5.4 CONNECTION TO THE POWER SUPPLY (CHARGER)

Caution: Risk of electric shock. Do not open.

This appliance is supplied with an approved plug and cable for your safety. The value of the fuse fitted is marked on the pin face of the plug. Should the fuse need replacing, ensure the substitute is of the correct rating, approved to BS1362 and ASTA or BSI Kite marked.

ASTA 

BSI 


The fuse cover is removable with a small plain slot screwdriver. Ensure the fuse cover is replaced before attempting to connect the plug to an electrical outlet. If the cover is missing, a replacement must be obtained or the plug replaced with a suitable type.

If a replacement plug is to be fitted this must be carried out by a qualified electrician.

The damaged or incomplete plug, when cut from the cable should be disabled to prevent connection to a live electrical outlet.

This appliance is Class II† and is designed for connection to a power supply matching that detailed on the rating label and compatible with the plug fitted.

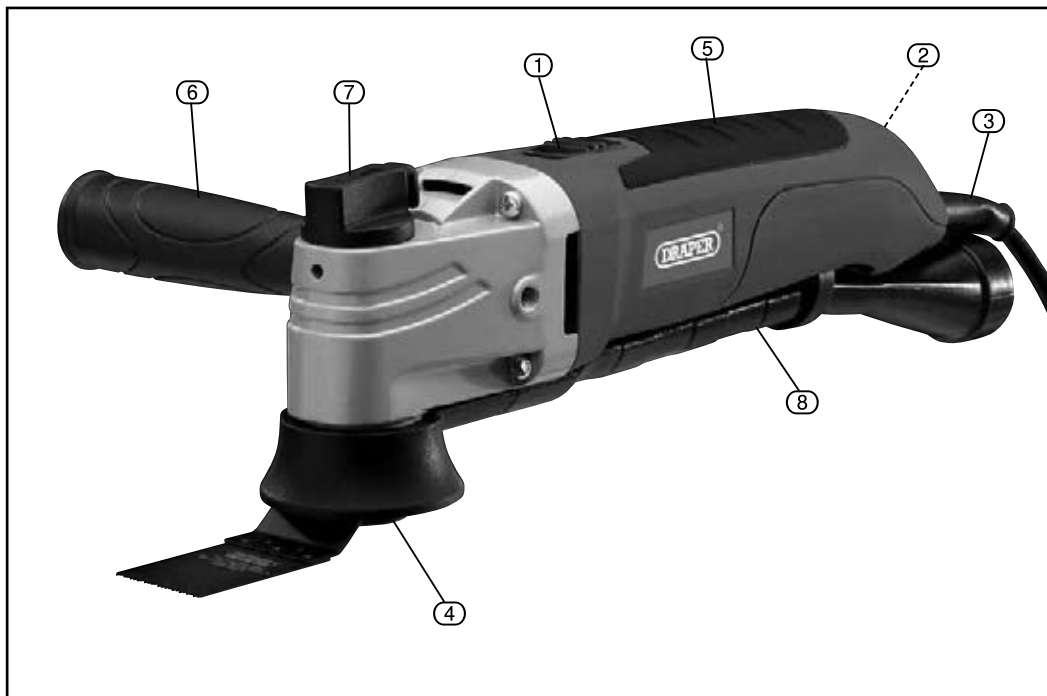
If an extension lead is required, use an approved and compatible lead rated for this appliance. Follow all the instructions supplied with the extension lead.

†Double insulated : This product requires no earth connection as supplementary insulation is applied to the basic insulation to protect against electric shock in the event of failure of the basic insulation.

IMPORTANT: If using an extension lead, follow the instructions that came with your lead regarding maximum load while cable is wound. If in doubt, ensure that the entire cable is unwound. Using a coiled extension lead will generate heat which could melt the lead and cause a fire.

6. TECHNICAL DESCRIPTION

6.1 IDENTIFICATION



- ① On/off switch
- ② Variable speed control
- ③ Power supply cable and plug
- ④ Press plate

- ⑤ Soft grip
- ⑥ Auxiliary handle
- ⑦ Quick change blade function
- ⑧ Dust extraction adaptor

7. UNPACKING AND CHECKING

7.1 PACKAGING

Carefully remove the product from the packaging and examine it for any sign of damage that may have happened during shipping. Lay the contents out and check them against the parts shown below. If any part is damaged or missing, please contact the Draper Help Line (the telephone number appears on the Title page) and do not attempt to use the product.

The packaging material should be retained at least during the warranty period, in case the machine needs to be returned for repair.

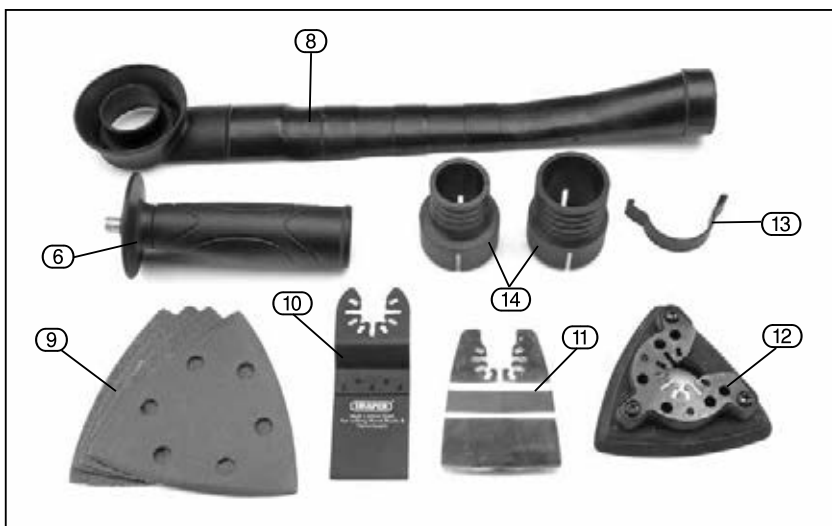
Warning!

- Some of the packaging materials used may be harmful to children. Do not leave any of these materials in the reach of children.
- If any of the packaging is to be thrown away, make sure they are disposed of correctly, according to local regulations.

7.2 WHAT'S IN THE BOX

As well as the main product, there are several parts not fitted or attached to it.

Note: For details of our full range of accessories and consumables, please visit drapertools.com



- ⑥ Auxiliary handle
- ⑧ Dust extraction adaptor
- ⑨ 4 x sanding sheets (60, 80, 120, 180 Grit)
- ⑩ E-cut saw blade
- ⑪ Scraper blade
- ⑫ Sanding pad
- ⑬ Dust extraction adaptor "C" clip
- ⑭ Dust extraction outlet adaptors

8. PREPARING THE OSCILLATING MULTI-TOOL

8.1 FITTING THE BLADE ACCESSORIES – FIGS.1 – 4

NOTE: Switch off the product and remove the plug from the power socket before carrying out any adjustments, servicing or maintenance.

CAUTION: Avoid danger of injury from the sharp edges of the attachments. Attachments can become very hot while working, presenting a risk of burns.

Rotate the quick change blade function (7) counterclockwise and loosen the press plate (4) (FIG.1).

Place supplied accessory (10) by locating onto the inner hole of the accessory drive spindle (FIG.2).

Adjust the position of accessory. The pin must be fitting the pin-hole accurately.

Hold the press plate (4) and rotate the quick change blade function (7) clockwise to retighten. Then pull the button (7B) out. (FIG.3).

Continue to rotate the quick change blade function (7) clockwise. Press the button (7B) back to lock (FIG.3)

Warning! To reduce the risk of injury, do not let the universal saw blades or any segment saw blades face back toward the user's hand.

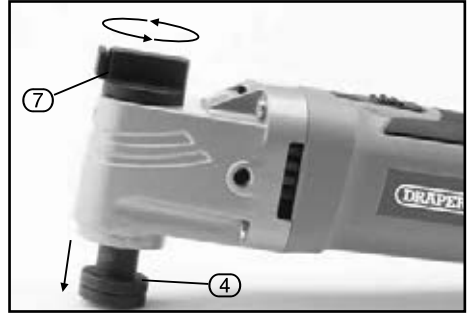


FIG. 1

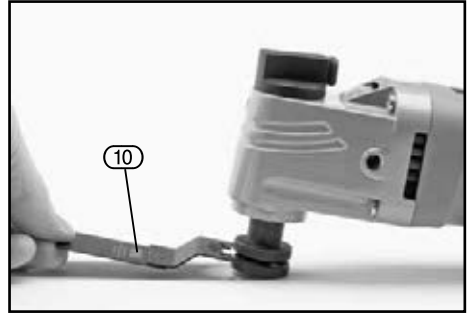


FIG. 2

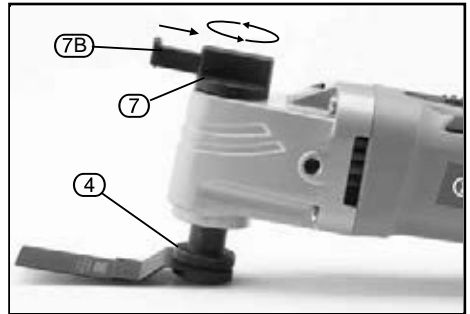


FIG. 3



FIG. 4

8. PREPARING THE OSCILLATING MULTI-TOOL

8.2 FITTING THE SANDING ACCESSORIES – FIGS.5 – 6

NOTE: Switch off the product and remove the plug from the power socket before carrying out any adjustments, servicing or maintenance.



FIG. 5

The sanding pad has a hook and loop base plate allowing for easy attachment/removal of the sanding paper (9) and the sanding pad (12).

Align the sanding paper to the sanding pad and press firmly to hold in place. Ensure that the holes in the sanding paper line up with the holes on the sanding pad. (FIG.5).

To remove or change the sanding paper carefully peel off the sanding paper from the sanding pad by loosening from one of the triangle ends.

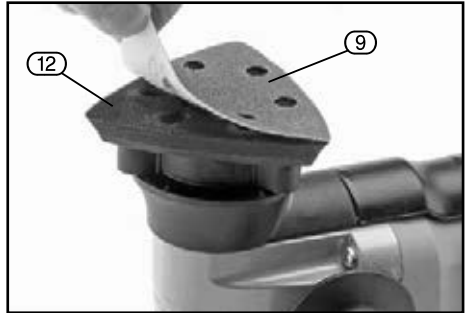


FIG. 6

NOTE: If the sandpaper sheet is worn in a particular are, it can be removed, rotated 120° and refitted to the sanding pad.

8. PREPARING THE OSCILLATING MULTI-TOOL

8.3 FITTING THE DUST EXTRACTION ACCESSORY – FIGS.7 – 9

NOTE: Switch off the product and remove the plug from the power socket before carrying out any adjustments, servicing or maintenance.

To assemble the dust extraction facility, push and connect together the parts.

Fit the dust extraction unit onto the underside of the oscillating multi-tool (FIG. 8) and ensure that the “C” clip clicks and locates into place (FIG. 8B).

Fit the appropriate dust extraction adaptor as shown in FIG.9.



FIG. 7



FIG. 8



FIG. 9

9. OPERATING THE OSCILLATING MULTI-TOOL

9.1 ON/OFF SWITCH – FIG.10

To switch the power tool ON, slide switch ① forwards.

To switch the power tool OFF, slide switch ① backwards.

9.2 USING THE VARIABLE SPEED CONTROL – FIG.11

Select oscillation frequency (speed) whilst the motor is running. The variable speed control ② can be used to set the optimum oscillating frequency according to the accessories being used and their respective application.

High oscillation frequency: Sanding, sawing, rasping and polishing stone and metal.

Low oscillation frequency: Polishing varnishes.

9.3 SECURING THE WORKPIECE

Warning! Before working with your tool make sure that no power cords will be damaged.

9.4 SANDING

Typical application: Wood, metal; small areas, especially corners, edges and places difficult to access. Select high oscillation frequency.

Sand with a constant movement and light pressure. Heavy pressure does not increase the removal – the sanding sheet merely wears faster.

9.5 SAWING WITH THE OFFSET SAW BLADE

Typical application: Wood, plastics, sheet metal. Select high oscillation frequency.

The saw blade lasts longer if the wear is distributed evenly. To ensure an even distribution, loosen the saw blade, rotate it and re-tighten firmly.

9.6 SCRAPING

Typical application: Scraping off old varnish or adhesives, removing glued carpeting, e.g. on stairs or other small to medium-sized surfaces.

Select medium/high oscillation frequency.

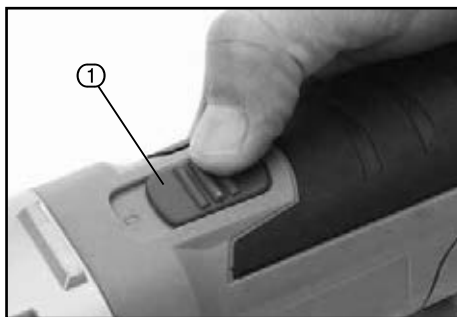


FIG. 10

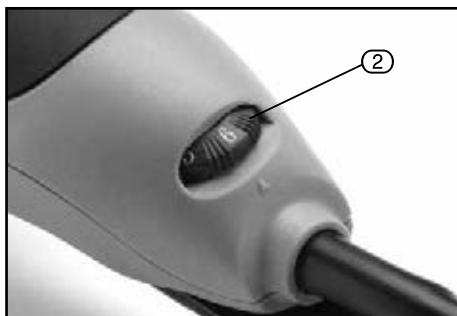


FIG. 11

9. OPERATING THE OSCILLATING MULTI-TOOL

9.7 AUXILIARY HANDLE – FIG.12

NOTE: Switch off the product and remove the plug from the power socket before carrying out any adjustments, servicing or maintenance.

Screw the handle clockwise, into one of the two threaded apertures best suited to the application and user comfort.



FIG. 12

10. MAINTENANCE

10.1 MAINTENANCE

Regular inspection and cleaning reduces the necessity for maintenance operations and will keep your tool in good working condition.

The motor must be correctly ventilated during tool operation. Avoid blocking the air inlets and vacuum the ventilation slots regularly.

11. OPTIONAL ACCESSORIES

10.1 OPTIONAL ACCESSORIES

A full range of accessories are available from Draper Tools.
Please visit our website for details: www.drapertools.com

12. EXPLANATION OF SYMBOLS/PICTOGRAMS

12.1 EXPLANATION OF SYMBOLS



Read the instruction manual.



3° Oscillating angle



Wear face mask and safety glasses.



Accessory attachment fitting profile.



Wear ear defenders.



Class II construction
(Double insulated).



Wear protective gloves.



WEEE –
Waste Electrical & Electronic
Equipment.



Do not abandon into
the environment.

Do not dispose of Waste Electrical
& Electronic Equipment in with
domestic rubbish.



Keep out of the reach
of children.



Warning!

13. DISPOSAL

13.1 DISPOSAL

- At the end of the machine's working life, or when it can no longer be repaired, ensure that it is disposed of according to national regulations.
- Contact your local authority for details of collection schemes in your area.

In all circumstances:

- Do not dispose of power tools with domestic waste.
- Do not incinerate.
- Do not dispose of WEEE* as unsorted municipal waste.



* *Waste Electrical & Electronic Equipment.*

CONTACTS

Draper Tools Limited, Hursley Road,
Chandler's Ford, Eastleigh, Hampshire. SO53 1YF. U.K.

Help line: (023) 8049 4344

Sales desk: (023) 8049 4333

Internet: drapertools.com

E-mail: sales@drapertools.com

General enquiries: (023) 8026 6355

Service/Warranty Repair Agent:

For aftersales servicing or warranty repairs, please contact the Draper Tools help line for details of an agent in your local area.

YOUR DRAPER STOCKIST

TADH0321

©Published by Draper Tools Limited.

No part of this publication may be reproduced, stored in a retrieval system or transmitted in any form or by any means, electronic, mechanical photocopying, recording or otherwise without prior permission in writing from Draper Tools Ltd.