

DRAPER
Expert

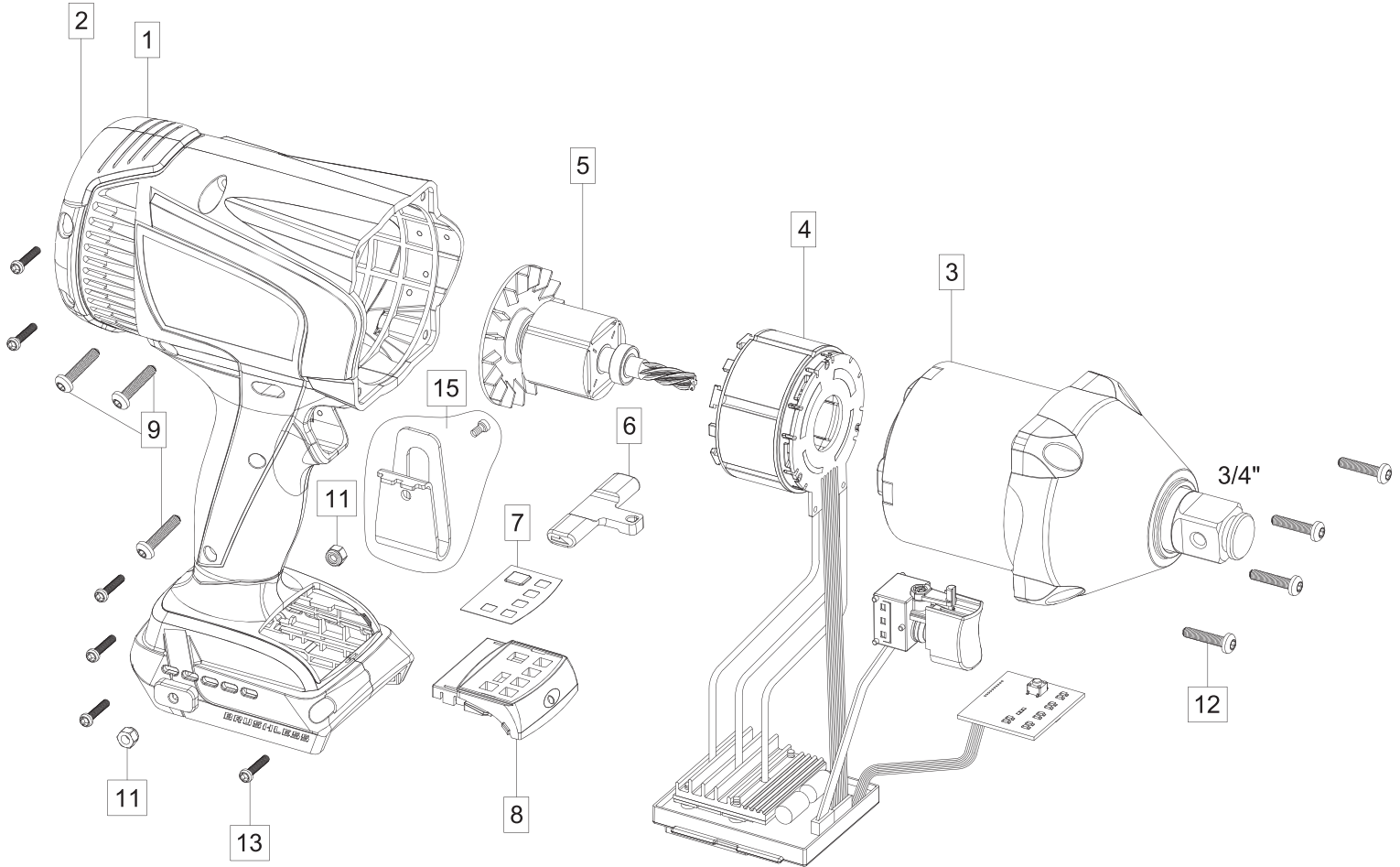
20V BRUSHLESS 3/4" HIGH-TORQUE

IMPACT WRENCH



79367 - XP20IW3/4.1060 SPARE PARTS DRAWING

XP20
MULTI-TOOL BATTERY SYSTEM



KEY No.	PART No.	STOCK No.	DESCRIPTION
1	YXP20IW1/2.K-1	98846	Left housing (ecopro blue)
2	YXP20IW1/2.K-2	98847	Right housing (ecopro blue)
3	YXP20IW3/4.K-3	93402	Gear box assembly 3/4"/retainer + hole
4	YXP20IW1/2.K-4	98869	Motor stator assembly with controller
5	YXP20IW1/2.K-5	98870	Motor rotor assembly
6	YXP20IW1/2.K-6	98877	Forward/reverse control button
7	YXP20IW1/2.K-7	98820	Speed/torque selector label

KEY No.	PART No.	STOCK No.	DESCRIPTION
8	YXP20IW1/2.K-8	93393	Cover for speed/torque selector
9	YXP20IW1/2.K-9	93400	Screw 4*16, black (set)
11	YXP20CD135-11	98819	Nylon Nut , M4
12	YXP20IW1/2.K-12	93398	Screw , 4*20 , Black
13	YXP20IW1/2.K-13	93399	Screw , 3*16 , Black
15	YXP20CD135-15	98825	Hook

Helpline: +44 (0) 23 8049 4344 Sales Desk: +44 (0) 23 8049 4333 General Enquiries: +44 (0) 23 8026 6355 internet: drapertools.com email: sales@drapertools.com