



SPARE PARTS LISTING SHEET FOR

1500W 153L Dust Extractor

Stock No.80946

Part No.DE1500

KEY No.	PART No.	STOCK No.	DESCRIPTION
1	YDE1500-01	81602	Caster
2	YDE1500-02	81603	Nut
3	YDE1500-03	81604	Base Plate
4	YDE1500-04	81605	Washer
5	YDE1500-05	81606	Motor Base
6	YDE1500-06	81607	Hex Screw
7	YDE1500-07	81608	Power Cord
8	YDE1500-08	81609	Motor
9	YDE1500-09	81610	Switch
10	YDE1500-10	81611	Hex Screw
11	YDE1500-11	81612	Hex Wrench
12	YDE1500-12	81613	Hex Screw
13	YDE1500-13	81614	Upper Bag Support
14	YDE1500-14	81615	Collector Support
15	YDE1500-15	81616	Nut
16	YDE1500-16	81617	Washer
17	YDE1500-17	81618	Key
18	YDE1500-18	81619	Packing
19	YDE1500-19	81620	Inlet Cover

KEY No.	PART No.	STOCK No.	DESCRIPTION
20	YDE1500-20	81621	Washer
21	YDE1500-21	81622	Hex Screw
22	YDE1500-22	81623	Turbo Fan
23	YDE1500-23	81624	Hex Screw
24	YDE1500-24	81625	Y Inlet
25	YDE1500-25	81628	Inlet
26	YDE1500-26	81629	Hex Screw
27	YDE1500-27	81630	Washer
28	YDE1500-28	81631	Gasket
29	YDE1500-29	81632	Gasket
30	YDE1500-30	81633	Outlet
31	YDE1500-31	81634	Hose Clamp
32	YDE1500-32	81635	Hose
33	YDE1500-33	81636	Collector
34	YDE1500-34	81637	Hose Clamp
35	YDE1500-35	81638	Filter Bag
36	YDE1500-36	81639	Collector Bag
37	YDE1500-37	81641	Fan Housing

Helpline: (023) 8049 4344. Sales Desk: (023) 8049 4333. General Enquiries: (023) 8026 6355.

DRAPER TOOLS LTD, HURSLEY ROAD, CHANDLER'S FORD, EASTLEIGH, HANTS. SO53 1YF. U.K website: www.drapertools.com e-mail: sales@drapertools.com

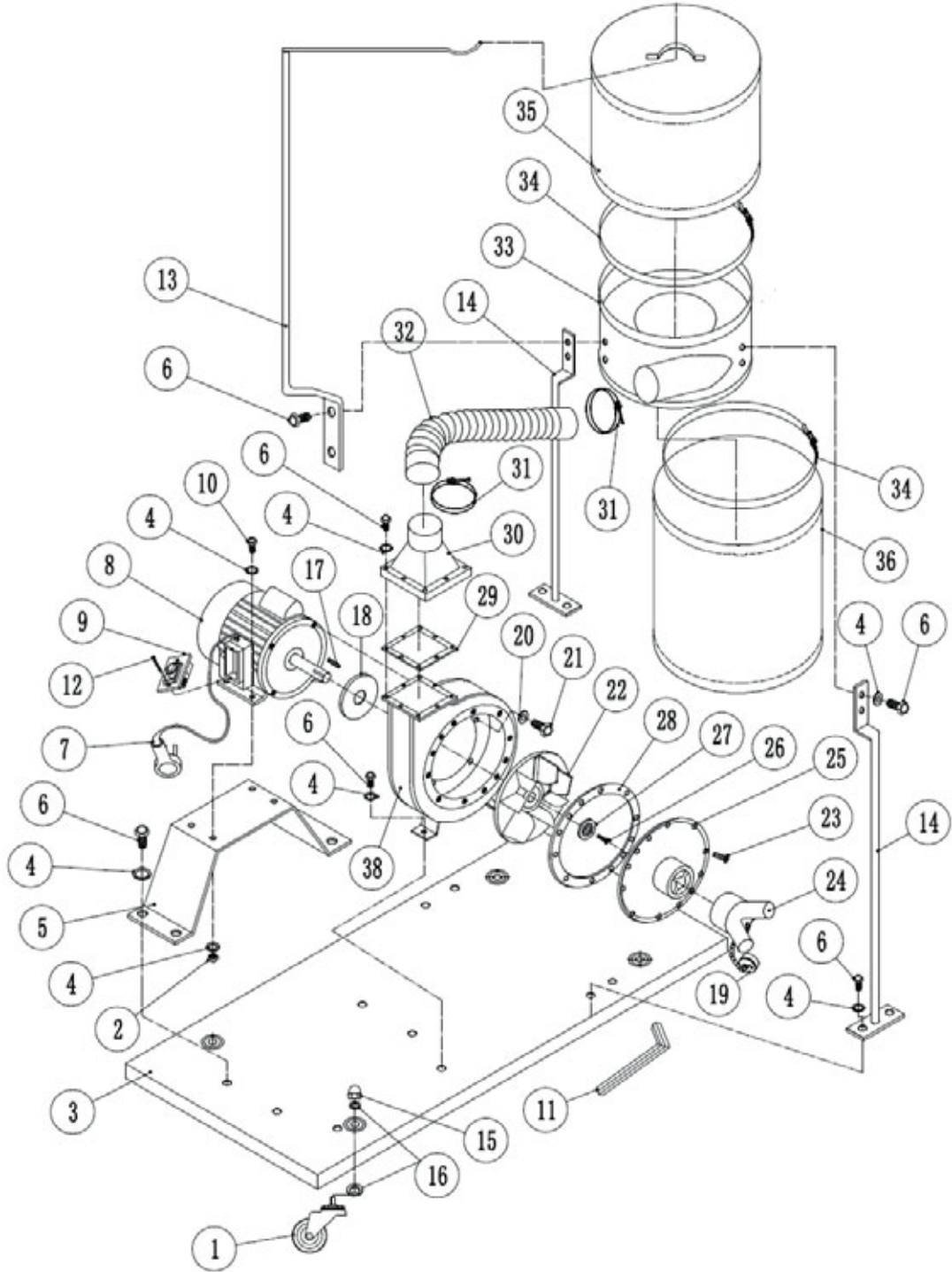


SPARE PARTS DRAWING SHEET FOR

1500W 153L Dust Extractor

Stock No.80946

Part No.DE1500



Helpline: (023) 8049 4344. Sales Desk: (023) 8049 4333. General Enquiries: (023) 8026 6355.

DRAPER TOOLS LTD, HURSLEY ROAD, CHANDLER'S FORD, EASTLEIGH, HANTS. SO53 1YF U.K website: www.drapertools.com e-mail: sales@drapertools.co m