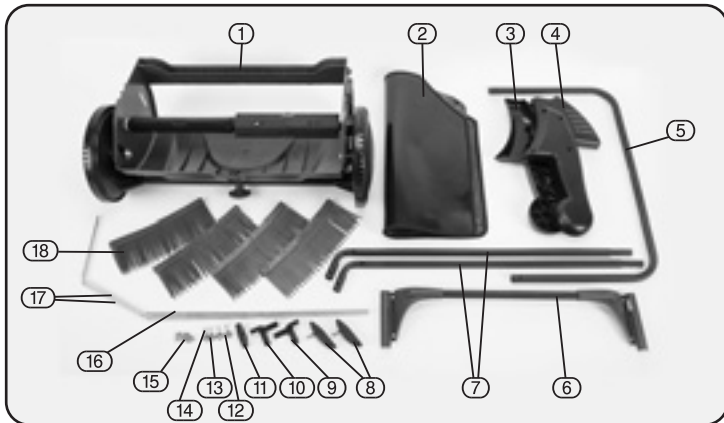


INSTRUCTIONS

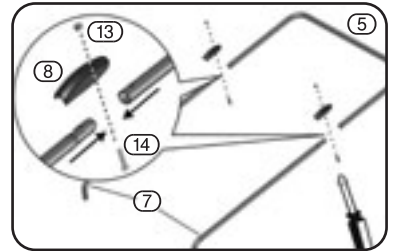
1. ASSEMBLY

NOTE: To fully assemble your Draper Garden Sweeper, you will need a cross slot screwdriver and a 8mm spanner.

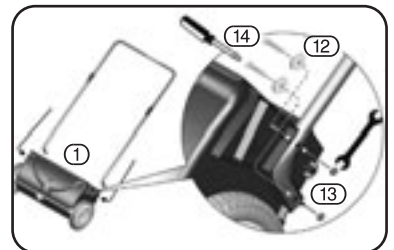


Part	Description	Quantity
①	Sweeper body	1
②	Hopper bag	1
③	Support leg right	1
④	Support leg left	1
⑤	Handlebar	1
⑥	Hopper crossbar	1
⑦	Handle support	2
⑧	Handle connector	2
⑨	Hopper frame connector left	1
⑩	Hopper frame connector right	1
⑪	Top frame connector	1
⑫	M5 washer	4
⑬	M5 locking nut	6
⑭	M5 x30mm bolt	6
⑮	8mm x 3/4in screw	8
⑯	Hopper frame side rod	2
⑰	Hopper frame base rod	1
⑱	Brushes	8

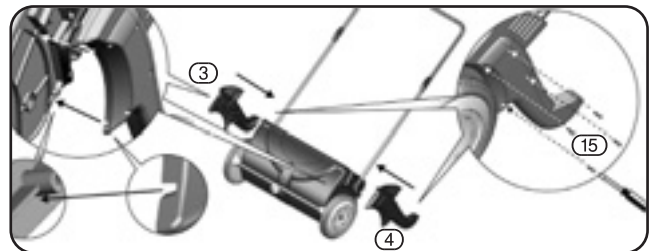
1. Attach the handle supports (7) to the handlebar (5) using handle connectors (8), 2x M5 bolt (14) and 2x M5 locking nut (13).



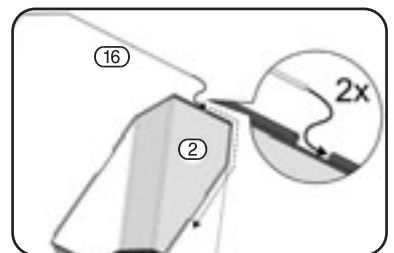
2. Attach assembled handle section to the sweeper body (1) by inserting 4x M5 bolts (14) from the inside of the sweeper body, through the holes on the bottom on the assembled handle section and securing using M5 washers (12) and M5 locking nuts (13).



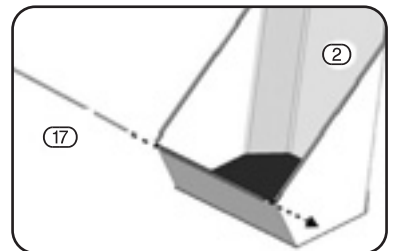
3. Attach left and right supports legs (3 & 4) to the sweeper body (1) and secure using 8mm x 3/4in screws (15).



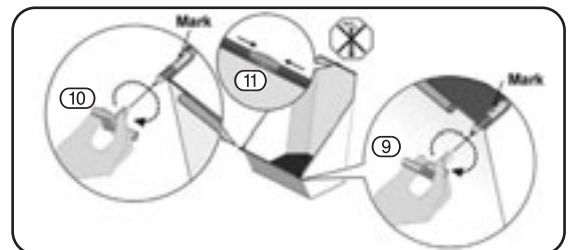
4. Insert hopper frame side rod (16) into the sleeve top corner of the hopper bag (2) with the threaded end first. Repeat for the other side.



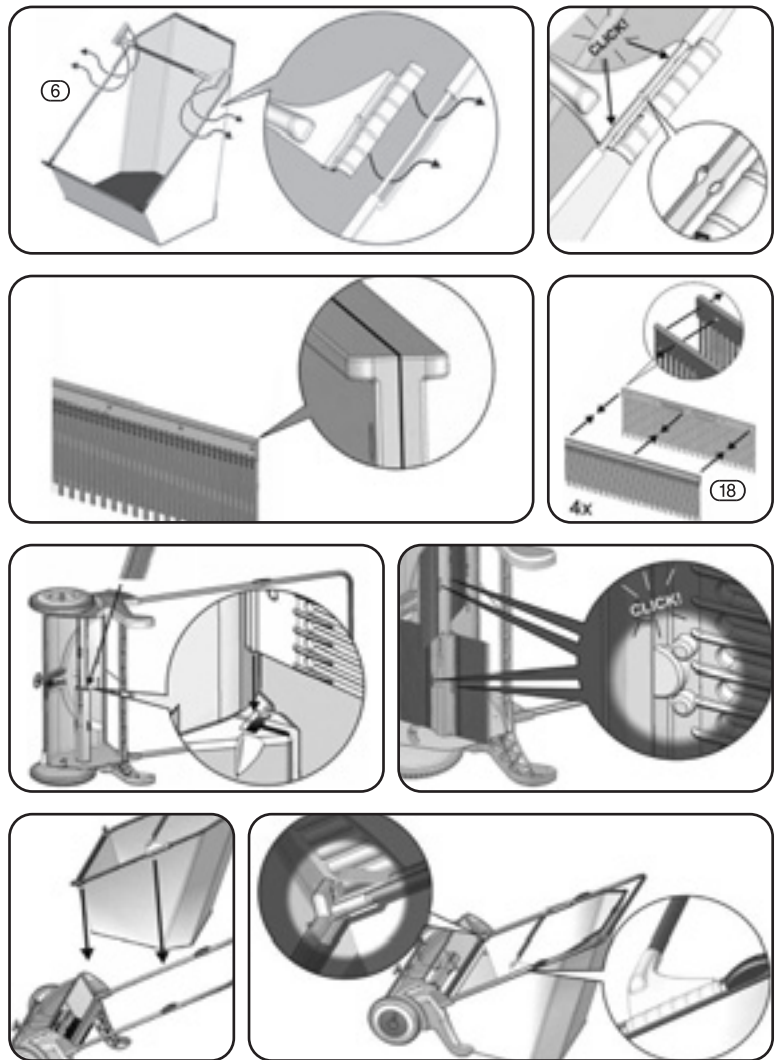
5. Insert the hopper frame base rod (17) into the sleeve on the bottom of the hopper bag (2).



6. Connect the hopper frame side rods (16) together using top frame connector (11). Connect the hopper frame base rod (17) to the assembled frame by connecting hopper frame connector right (10) and threaded end of hopper frame connector left (9) to the threaded ends of the hopper frame side rods (16). Connect both connectors to the hopper frame base rod (17) ensuring the shorter horizontal fitting on the connectors are facing outwards.



7. Attach the hopper crossbar (6) to the handle and assembled hopper ensuring the hopper rods and the handle click securely into place with the clips on the hopper crossbar (6).
Ensure this is fitted correctly with the hopper rods clipping into the hopper crossbar (7) from above.
If assembled incorrectly, the hopper can detach during use.
8. Press together the holes and pins at the top of the brushes (18) to form 4 sets.
9. Hold the assembled brush sets together and slide each set into the grooves on the rotor until each set clicks into place.
10. Clip the assembled hopper into position on the handle and slot the connectors into the recesses on the sweeper body (1).



2. OPERATION & USE

2.1 BEFORE USE

- Periodically check that all nuts, bolts & screws are secure and tighten if necessary.
- Ensure the area of use is clear of obstructions before use.
- After an extended period without use, check all fixings are secure and check all moving parts and lubricate if necessary.
- Set to the desired height using by loosening the knob on the front of the sweeper body, adjusting height and re-tightening the knob.

2.2 DURING USE

- Take care to avoid injury to fingers when adjusting the machine.
- Take extra care when changing direction or working on a slope. Keep the machine upright at all times.

- Adjust the height of the leaf sweeping brushes to the desired level. The lower settings are suitable for all surfaces, the middle settings for wet, slippery or rough and loose surfaces and the higher settings for maintenance and moving the garden sweeper.
- Do NOT apply heavy downward force when operating. This will cause greater friction to the ground and may cause damage to the brushes.
- Where possible, operate down wind.

2.3 AFTER USE

- Empty leaf collection bag.
- Clean after use.
- Allow leaf collection bag to dry before re-attaching.
- Store in a cool, dry place.

3. SAFETY INSTRUCTIONS

- Wear suitable eye protection during use.
- Wear suitable outdoor footwear.
- For outdoor use only.
- Keep away from children.
- Ensure work area is clear of obstructions before use.
- Do NOT run with the garden sweeper when in use.
- Always push in a straight line in a forward direction.
- Do NOT use on steep slopes.
- When using on a slope always push the garden sweeper across the slope rather than up or down the slope.

- Do NOT use if damaged.
- Do NOT use to sweep up liquids.
- Do NOT attempt to repair the garden sweeper yourself.
- Adjust the brush height if the brushes jam frequently or if the sweeping performance is reduced.
- Not recommended for use on long grass over approx. 6cm (2 1/2in) in length.
- After an extended period without use, check all fixings are secure and check all moving parts and lubricate if necessary.

4. MAINTENANCE

4.1 CLEANING

- Brushes can be removed for cleaning and re-fitted as per the assembly instructions.

- Wipe the hopper clean with a soft damp cloth.
- Periodically brush any leaf debris or mud from around the wheels to prevent them locking.