

DRAPER[®]

STORMFORCE

INSTRUCTIONS FOR
710W 230V
Reciprocating Saw

Stock No.83628

Part No.RS710SF

IMPORTANT: PLEASE READ THESE INSTRUCTIONS CAREFULLY TO ENSURE THE SAFE AND EFFECTIVE USE OF THIS PRODUCT.



DRAPER[®]

GENERAL INFORMATION

These instructions accompanying the product are the original instructions. This document is part of the product, keep it for the life of the product passing it on to any subsequent holder of the product. Read all these instructions before assembling, operating or maintaining this product.

This manual has been compiled by Draper Tools describing the purpose for which the product has been designed, and contains all the necessary information to ensure its correct and safe use. By following all the general safety instructions contained in this manual, it will ensure both product and operator safety, together with longer life of the product itself.

All photographs and drawings in this manual are supplied by Draper Tools to help illustrate the operation of the product.

Whilst every effort has been made to ensure the accuracy of information contained in this manual, the Draper Tools policy of continuous improvement determines the right to make modifications without prior warning.

1. TITLE PAGE

1.1 INTRODUCTION:

USER MANUAL FOR:

710W 230V RECIPROCATING SAW

Stock no. 83628

Part no. RS710SF

1.2 REVISIONS:

Date first published April 2016

As our user manuals are continually updated, users should make sure that they use the very latest version.

Downloads are available from: <http://www.drapertools.com/manuals>

DRAPER TOOLS LIMITED

HURSLEY ROAD

CHANDLER'S FORD

EASTLEIGH

HAMPSHIRE

SO53 1YF

UK

WEBSITE: drapertools.com

PRODUCT HELP LINE: +44 (0) 23 8049 4344

GENERAL FAX: +44 (0) 23 8026 0784

1.3 UNDERSTANDING THIS MANUALS SAFETY CONTENT:

WARNING! Information that draws attention to the risk of injury or death.

CAUTION! Information that draws attention to the risk of damage to the product or surroundings.

1.4 COPYRIGHT © NOTICE:

Copyright © Draper Tools Limited.

Permission is granted to reproduce this publication for personal & educational use only.

Commercial copying, redistribution, hiring or lending is prohibited.

No part of this publication may be stored in a retrieval system or transmitted in any other form or means without written permission from Draper Tools Limited.

In all cases this copyright notice must remain intact.

2. CONTENTS

2.1 CONTENTS

	PAGE CONTENT	PAGE
1	TITLE PAGE	
	1.1 INTRODUCTION	2
	1.2 REVISION HISTORY.....	2
	1.3 UNDERSTANDING THIS MANUAL	2
	1.4 COPYRIGHT NOTICE	2
2	CONTENTS	
	2.1 CONTENTS	3
3	GUARANTEE	
	3.1 GUARANTEE	4
4	INTRODUCTION	
	4.1 SCOPE	5
	4.2 SPECIFICATION	5
	4.3 HANDLING & STORAGE	5
5	HEALTH & SAFETY INFORMATION	
	5.1 GENERAL SAFETY INSTRUCTIONS	6 - 7
	5.2 ADDITIONAL SAFETY INSTRUCTIONS	7
	5.3 CONNECTION TO THE POWER SUPPLY	7
6	TECHNICAL DESCRIPTION	
	6.1 IDENTIFICATION	8
7	UNPACKING & CHECKING	
	7.1 PACKAGING.....	9
	7.2 WHAT'S IN THE BOX?	9
8	SETTING THE RECIPROCATING SAW	
	8.1 BLADE INSTALLATION	10
	8.2 ADJUSTABLE FOOT	10
9	BASIC RECIPROCATING SAW OPERATION	
	9.1 SWITCH AND VARIABLE STROKE RATE CONTROL	11
	9.2 GENERAL CUTTING	11
	9.3 PLUNGE CUTTING	12
	9.4 FLUSH CUTTING.....	12
10	OPTIONAL ACCESSORIES	
	10.1 OPTIONAL ACCESSORIES	13
11	MAINTENANCE	
	11.1 MAINTENANCE & PART REPLACEMENT	14
12	TROUBLESHOOTING	
	12.1 TROUBLE SHOOTING	15
13	EXPLANATION OF SYMBOLS	
	13.1 EXPLANATION OF SYMBOLS	16
14	DISPOSAL	
	14.1 DISPOSAL	17
	DECLARATION OF CONFORMITY	ENCLOSED

3. GUARANTEE

3.1 *GUARANTEE*

Draper tools have been carefully tested and inspected before shipment and are guaranteed to be free from defective materials and workmanship.

Should the tool develop a fault, please return the complete tool to your nearest distributor or contact Draper Tools Limited, Chandler's Ford, Eastleigh, Hampshire, SO53 1YF. England.

Telephone Sales Desk: (023) 8049 4333 or Product Help Line (023) 8049 4344.

A proof of purchase must be provided with the tool.

If upon inspection it is found that the fault occurring is due to defective materials or workmanship, repairs will be carried out free of charge. This guarantee period covering parts/labour is 12 months from the date of purchase except where tools are hired out when the guarantee period is 90 days from the date of purchase. The guarantee is extended to 24 months for parts only. This guarantee does not apply to normal wear and tear, nor does it cover any damage caused by misuse, careless or unsafe handling, alterations, accidents, or repairs attempted or made by any personnel other than the authorised Draper warranty repair agent.

Note: If the tool is found not to be within the terms of warranty, repairs and carriage charges will be quoted and made accordingly.

This guarantee applies in lieu of any other guarantee expressed or implied and variations of its terms are not authorised.

Your Draper guarantee is not effective unless you can produce upon request a dated receipt or invoice to verify your proof of purchase within the guarantee period.

Please note that this guarantee is an additional benefit and does not affect your statutory rights.

Draper Tools Limited.

4. INTRODUCTION

4.1 SCOPE

This versatile tool is designed to cut wood, plastic and metal, including sheet materials, branches/logs and window surrounds. It is intended for domestic and light commercial use only. Any other application is considered misuse.

4.2 SPECIFICATION

Stock no	83628
Part no	RS710SF
Motor:	
Rated voltage	230V~
Rated frequency	50Hz
Rated input	710W
Stroke speed (no load)	0-2,600min ⁻¹
Cutting capacity:	
Wood	115mm
Plastic	80mm
Mild steel	10mm
Sound pressure level	84.4dB(A)
Sound power level	95.4dB(A)
Vibration level (on chipboard)	18.86m/s ²
Weight (nett)	2.80kg

4.3 HANDLING & STORAGE

The environment will have a negative result on its operation if you are not careful. If the air is damp, components will rust. If the machine is unprotected from dust and debris; components will become clogged: And if not cleaned and maintained correctly or regularly the machine will not perform at its best.

5. HEALTH & SAFETY INFORMATION

5.1 GENERAL SAFETY INSTRUCTIONS

General Power Tools Safety Warnings

WARNING: Read all instructions. Failure to follow all instructions listed below may result in electric shock, fire and/or serious injury.

Save all warnings and instructions for future reference.

The term "power tool" in the warnings refers to your mains operated (corded) power tool or battery operated (cordless) power tool.

1) Work area safety

- a) **Keep work area clean and well lit.** Cluttered or dark areas invite accidents.
- b) **Do not operate power tools in explosive atmospheres, such as in the presence of flammable liquids, gases or dust.** Power tools create sparks which may ignite the dust or fumes.
- c) **Keep children and bystanders away while operating a power tool.** Distractions can cause you to lose control.

2) Electrical Safety

- a) **Power tool plugs must match the outlet.** Never modify the plug in any way. Do not use any adapter plugs with earthed (grounded) power tools. Unmodified plugs and matching outlets will reduce risk of electrical shock.
- b) **Avoid body contact with earthed or grounded surfaces such as pipes, radiators, ranges and refrigerators.** There is an increased risk of electric shock if your body is earthed or grounded.
- c) **Do not expose power tools to rain or wet conditions.** Water entering a power tool will increase the risk of electric shock.
- d) **Do not abuse the cord. Never use the cord for carrying, pulling or unplugging the power tool.** Keep cord away from heat, oil, sharp edges or moving parts. Damaged or entangled cords increase the risk of electric shock.
- e) **When operating a power tool outdoors, use an extension cord suitable for outdoor use.** Use of a cord suitable for outdoor use reduces the risk of electric shock.
- f) **If operating a power tool in a damp location is unavoidable, use a residual current device (RCD) protected supply.** Use of an RCD reduces the risk of electric shock.

3) Personal Safety

- a) **Stay alert, watch what you are doing and use common sense when operating a power tool. Do not use a power tool while you are tired or under the influence of drugs, alcohol or medication.** A moment of inattention while operating power tools may result in serious personal injury.
- b) **Use personal protective equipment. Always wear eye protection.** Protective equipment such as dust mask, nonskid safety shoes, hard hat, or hearing protection used for appropriate conditions will reduce personal injuries.
- c) **Prevent unintentional starting. Ensure the switch is in the off position before connecting to power source and/or battery pack, picking up or carrying the tool.** Carrying power tools with your finger on the switch or energising power tools that have the switch on invites accidents.
- d) **Remove any adjusting key or wrench before turning the power tool on.** A wrench or a key left attached to a rotating part of the power tool may result in personal injury.
- e) **Do not overreach. Keep proper footing and balance at all times.** This enables better control of the power tool in unexpected situations.
- f) **Dress properly. Do not wear loose clothing or jewellery. Keep your hair, clothing and gloves away from moving parts.** Loose clothes, jewellery or long hair can be caught in moving parts.

5. HEALTH & SAFETY INFORMATION

g) If devices are provided for the connection of dust extraction and collection facilities, ensure these are connected and properly used. Use of dust collection can reduce dust related hazards.

4) Power Tool Use And Care

- a) **Do not force the power tool. Use the correct power tool for your application.** The correct power tool will do the job better and safer at the rate for which it was designed.
- b) **Do not use the power tool if the switch does not turn it on and off.** Any power tool that cannot be controlled with the switch is dangerous and must be repaired.
- c) **Disconnect the plug from the power source and/or the battery pack from the power tool before making any adjustments, changing accessories, or storing power tools.** Such preventive safety measures reduce the risk of starting the power tool accidentally.
- d) **Store idle power tools out of the reach of children and do not allow persons unfamiliar with the power tool or these instructions to operate the power tool.** Power tools are dangerous in the hands of untrained users.
- e) **Maintain power tools. Check for misalignment or binding of moving parts, breakage of parts and any other condition that may affect the power tools operation. If damaged, have the power tool repaired before use.** Many accidents are caused by poorly maintained power tools.
- f) **Keep cutting tools sharp and clean.** Properly maintained cutting tools with sharp cutting edges are less likely to bind and are easier to control.
- g) **Use the power tool, accessories and tool bits etc., in accordance with these instructions, taking into account the working conditions and the work to be performed.** Use of the power tool for operations different from intended could result in a hazardous situation.

5) Service

- a. **Have your power tool serviced by a qualified repair person using only identical replacement parts.** This will ensure that the safety of the power tool is maintained.

5.2 ADDITIONAL SAFETY INSTRUCTIONS

1. Reciprocating Saws:

- Always use in conjunction with a suitable dust extraction device.
- Always wear a dust mask and suitable eye protection.


5.3 CONNECTION TO THE POWER SUPPLY

Make sure the power supply information on the machine's rating plate are compatible with the power supply you intend to connect it to.

This product comes supplied with a UK standard 3 pin plug fitted. It is designed for connection to a domestic power supply rated at 230V AC.

This appliance is Class II† and is designed for connection to a power supply matching that detailed on the rating label and compatible with the plug fitted.

If an extension lead is required, use an approved and compatible lead rated for this appliance. Follow all the instruction supplied with the extension lead.

†Double insulated : This product requires no earth connection as supplementary insulation is applied to the basic insulation to protect against electric shock in the event of failure of the basic insulation.

Apart from replacing the fuse in the plug, no other electrical work is recommended on this machine.

6. TECHNICAL DESCRIPTION

6.1 IDENTIFICATION



① Adjustable foot.

② Quick release clamp.

③ Front hand grip.

④ Trigger switch.

⑤ Rear hand grip.

⑥ Approved moulded plug and 3m cable.

⑩ Lock-on button.

⑪ Rotating rear handle.

⑫ Handle rotation switch.

7. UNPACKING & CHECKING

7.1 PACKAGING

Carefully remove the saw from the packaging and examine it for any sign of damage that may have happened during shipping. Lay the contents out and check them against the parts shown below. If any part is damaged or missing; please contact the Draper Help Line (the telephone number appears on the Title page) and do not attempt to use the saw.

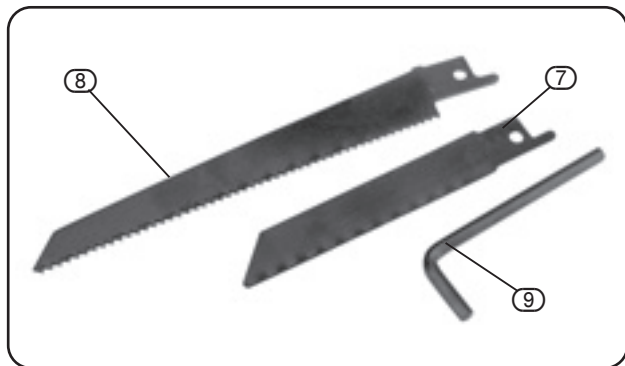
The packaging material should be retained at least during the guarantee period: in case the machine needs to be returned for repair.

Warning! Some of the packaging materials used may be harmful to children. Do not leave any of these materials in the reach of children.

If any of the packaging is to be thrown away, make sure they are disposed of correctly; according to local regulations.

7.2 WHAT'S IN THE BOX?

As well as the saw; there are several parts not fitted or attached to it.



- ⑦ Metal cutting blade (fine)
- ⑧ Wood cutting blade (course)
- ⑨ 4mm Hex. key

8. SETTING THE RECIPROCATING SAW

Remove the plug from the socket before carrying out adjustment, servicing or maintenance.

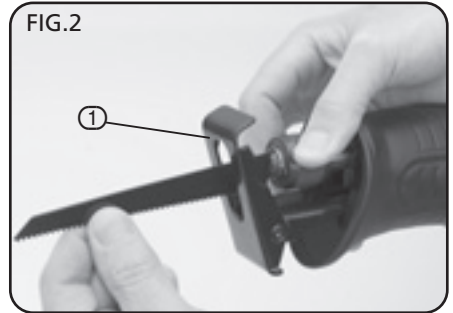
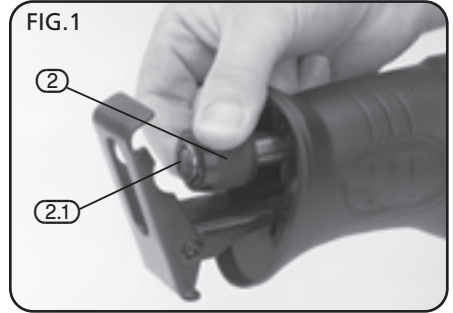
8.1 BLADE INSTALLATION - FIGS. 1 - 2

Turn the blade clamp (2) counter-clockwise.

Insert the blade into the slot (2.1) of blade clamp (2).

Release the blade clamp to lock the blade.

WARNING: When changing a blade immediately after operation, allow the blade to cool before removing to avoid possible burning.

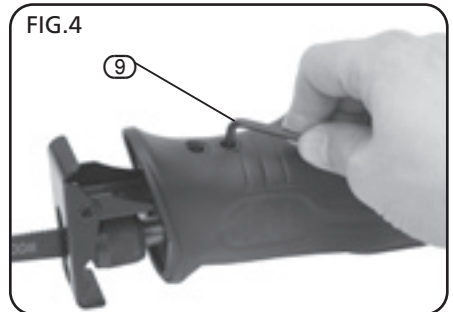
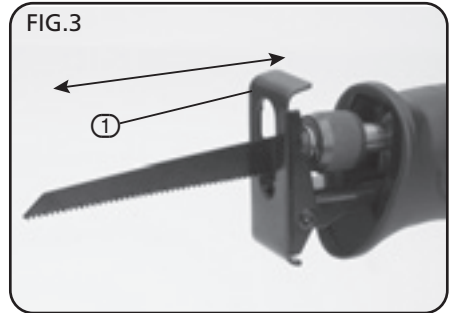


8.2 ADJUSTABLE FOOT - FIGS 3 - 4

The adjustable foot (1) adjusts backwards and forwards to allow the entire length of the blade to be used. It adjusts for special applications requiring a low clearance.

WARNING: To avoid injury and damage, do not operate the saw without the adjustable foot (1). The spindle may strike against the workpiece and damage the reciprocating mechanism.

Adjust the adjustable foot (1) with the 4mm hex. key (9) as necessary to make sure the blade will extend beyond the shoe and the workpiece at all times.

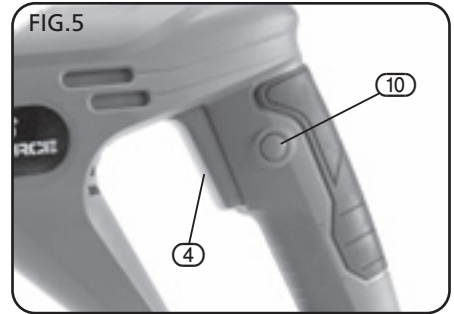


9. BASIC RECIPROCATING SAW OPERATION

9.1 SWITCH AND VARIABLE STROKE RATE CONTROL - FIG. 5

Your reciprocating saw is equipped with a trigger switch to turn the saw on and off, and to control the speed.

- To start the saw, press the trigger switch (4).
- To stop the saw, release the trigger switch.
- To vary the stroke rate, simply increase or decrease the pressure on the trigger switch. The tighter the trigger switch is pressed, the higher the speed.
- When sawing for any extended period of time it is possible to lock-on this saw. With the trigger (4) pressed, push in the button (10) and release (4). The saw will continue to run. To stop the saw squeeze the trigger (4) again and release. Note: Always ensure saw trigger (4) is off/released after each use to prevent accidental starting.



9.2 GENERAL CUTTING

WARNING: Before plugging in the tool, always check to see that the switch is actuated properly and returns to the off position when released.

WARNING: Hold the tool only by the rear handle and the insulated grip area, which helps prevent electrical shock. When sawing into walls or floors you may encounter electrical wiring. Sawing into a "live" wire will cause electric shock.

- Make sure the workpiece is firmly anchored. Clamp the workpiece to prevent slipping or moving while cutting.
- Use the appropriate type and size of blade for the workpiece material and size.
- Check for clearance beyond the workpiece so the blade will not impact another surface.
- Mark the line of cut clearly. If cutting metal, apply cutting oil on the line.
- Depress the trigger switch to start the saw and bring it to maximum desired cutting stroke rate before applying the blade to the workpiece.
- Do not force the tool. Place the shoe firmly on the workpiece while cutting. Use only enough steady pressure on the blade to keep the saw cutting. Reduce pressure as the blade comes to the end of the cut.
- Cutting stroke rates should vary with the workpiece. Hard materials such as metals require lower stroke rates, for softer materials use higher stroke rates.
- Check wood, chip boards, building materials etc. for foreign objects (nails, screws, etc.) before sawing and remove them, if necessary.
- Position the pivoting footplate (1) onto the surface of the work and saw through the work applying uniform contact pressure of feed.

If the saw blade jams, switch off the tool immediately. Widen the gap somewhat with a suitable tool and pull out the saw blade.

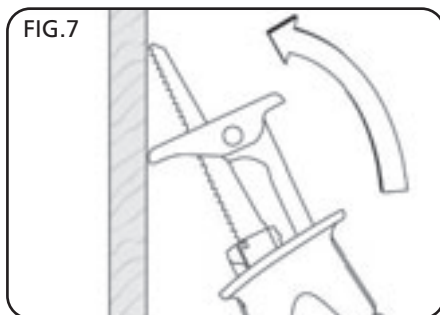
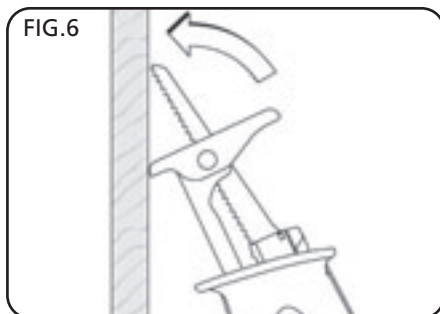
9. BASIC RECIPROCATING SAW OPERATION

9.3 PLUNGE CUTTING - FIGS. 6 - 7

WARNING: Plunge cutting is only suitable when working softer materials such as wood or plaster board! However, this requires a degree of practice and is only possible with short saw blades.

- Place the tool via the pivoting footplate onto the work piece and switch on. Pay attention that the bottom side of the pivoting footplate ① faces against the surface of the work piece.
- Slowly plunge the saw blade into the work piece at an angle. After the saw blade penetrates through the work piece, move the tool to a vertical position and continue to saw along the cutting line.
- Switch off the tool and remove it from the work piece.

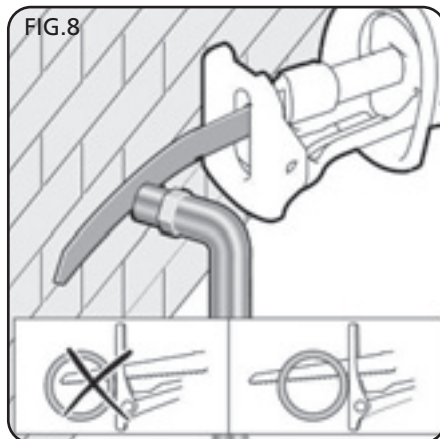
Plunge cuts can be carried out easier when the saw blade is installed 180° reversed and by guiding the saw the other way around (Fig.7).



9.4 FLUSH CUTTING - FIG. 8

With the use of flexible bimetal saw blades, projecting items (i.e. water pipes, etc.) can be sawn off flush to the wall. Pay attention that the saw blade always extends beyond the diameter of the pipe being sawn. Danger of kickback.

Position the saw blade side wards against the wall and apply some lateral pressure via the tool so that the edge of the pivoting footplate 2 faces against the wall. Switch the tool on and make the cut, applying constant lateral pressure.



10. OPTIONAL ACCESSORIES

10.1 OPTIONAL ACCESSORIES

Stock No.	Part No.	Description	Quantity
02313	RSB/MP	150mm Multi purpose cutting blade	5 piece
02314	RSB/MP	200mm Multi purpose cutting blade	5 piece
02315	RSB/MP	250mm Multi purpose cutting blade	5 piece
02316	RSB/MP	300mm Multi purpose cutting blade	5 piece
02309	RSB/M18	150mm HSS 18tpi metal cutting blade	5 piece
02310	RSB/M18	200mm HSS 18tpi metal cutting blade	5 piece
02311	RSB/M24	150mm HSS 24tpi metal cutting blade	5 piece
02312	RSB/M24	200mm HSS 24tpi metal cutting blade	5 piece
02305	RSB/W	150mm 6tpi Wood cutting blade	5 piece
02306	RSB/W	200mm 6tpi Wood cutting blade	5 piece
02307	RSB/W	250mm 6tpi Wood cutting blade	5 piece
02308	RSB/W	300mm 6tpi Wood cutting blade	5 piece
02299	RSB/WN	150mm 6tpi Wood & Nail cutting blade	5 piece
02300	RSB/WN	200mm 6tpi Wood & Nail cutting blade	5 piece
02301	RSB/WN	250mm 6tpi Wood & Nail cutting blade	5 piece
02302	RSB/WP	150mm 10tpi Wood & Nail cutting blade	5 piece
02303	RSB/WP	200mm 10tpi Wood & Nail cutting blade	5 piece
02304	RSB/WP	250mm 10tpi Wood & Nail cutting blade	5 piece

11. MAINTENANCE

11.1 MAINTENANCE & PARTS REPLACEMENT

Regular inspection and cleaning reduces the necessity for maintenance operations and will keep your tool in good working condition.

The motor must be correctly ventilated during tool operation. For this reason avoid blocking the air inlets. After use disconnect the tool from the power supply and vacuum the ventilation slots.

If the replacement of the supply cord is necessary, this has to be done by the manufacturer or his agent in order to avoid a safety hazard.

12. TROUBLESHOOTING

WARNING: FOR YOUR OWN SAFETY ALWAYS TURN THE MAIN SWITCH OF THE MACHINE "OFF" AND REMOVE THE PLUG FROM THE POWER SUPPLY BEFORE CARRYING OUT ANY MAINTENANCE OR TROUBLESHOOTING.

PROBLEMS	POSSIBLE CAUSES	REMEDY
Motor does not start	1. Fuse	1. Replace time delay fuse or reset circuit breaker
	2. Brushes worn	2. Have brushes replaced in motor
	3. Other	3. Contact an authorised service centre

13. EXPLANATION OF SYMBOLS

13.1 EXPLANATION OF SYMBOLS



Warning!
Wear dust mask.



Warning!
Read the instruction manual



Warning!
Wear suitable eye/face
protection.



Warning!
Wear ear defenders.



WEEE
Do not dispose of Waste Electrical
& Electronic Equipment in with
domestic rubbish



Class II construction
(Double insulated).

14. DISPOSAL

14.1 DISPOSAL

- At the end of the machine's working life, or when it can no longer be repaired, ensure that it is disposed of according to national regulations.
- Contact your local authority for details of collection schemes in your area.

In all circumstances:

- Do not dispose of power tools with domestic waste.
- Do not incinerate.
- Do not abandon in the environment.
- Do not dispose of WEEE* as unsorted municipal waste.



* Waste Electrical & Electronic Equipment.

- **DRAPER TOOLS LIMITED,**
Hursley Road, Chandler's Ford,
Eastleigh, Hampshire. SO53 1YF. U.K.
- **Help Line:** (023) 8049 4344
- **Sales Desk:** (023) 8049 4333
- **General Enquiries:** (023) 8026 6355
- **Service/Warranty Repair Agent**
For aftersales servicing or warranty repairs, please
contact the Draper Tools Help Line for details of an
agent in your local area.

YOUR DRAPER STOCKIST

RDCH0816

