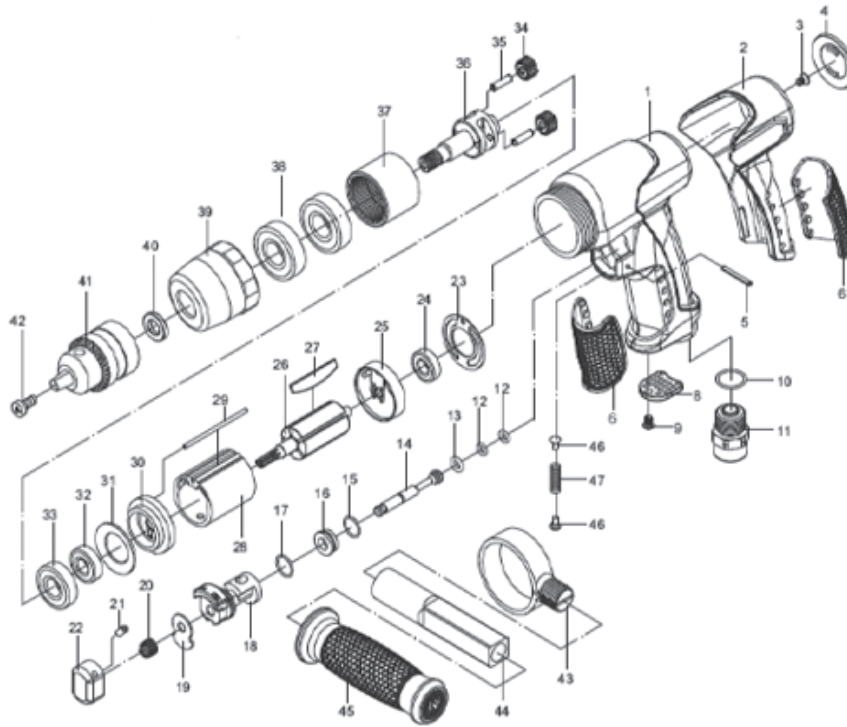


AIR DRILL

83961 - DAT-RAD10K SPARE PARTS LISTING



KEY No.	PART No.	STOCK No.	DESCRIPTION
1	YDAT-RAD10-1	00223	Housing
2	YDAT-RAD10-2	00224	Housing Cover
3	YDAT-RAD10-3	00225	Screw
4	YDAT-RAD10-4	00226	End Cover
5	YDAT-RAD10-5	00227	Pin
6	YDAT-RAD10-6	00229	Soft Grip Set
8	YDAT-RAD10-8	00231	Muffler
9	YDAT-RAD10-9	00232	Screw
10	YDAT-RAD10-10	00233	O-Ring
11	YDAT-RAD10-11	00234	Air Inlet
12	YDAT-RAD10-12	00235	O-Ring
13	YDAT-RAD10-13	00237	O-Ring
14	YDAT-RAD10-14	00238	Valve Stem
15	YDAT-RAD10-15	00239	O-Ring
16	YDAT-RAD10-16	00240	Screw
17	YDAT-RAD10-47	01098	O-Ring
18	YDAT-RAD10-17	00241	F/R Lever
19	YDAT-RAD10-18	00242	Steel Plate
20	YDAT-RAD10-19	00243	Spring
21	YDAT-RAD10-20	00245	Screw
22	YDAT-RAD10-21	00246	Trigger
23	YDAT-RAD10-22	00247	Cylinder Gasket
24	YDAT-RAD10-23	00248	Bearing

KEY No.	PART No.	STOCK No.	DESCRIPTION
25	YDAT-RAD10-24	00249	Rear Plate
26	YDAT-RAD10-25	00250	Rotor
27	YDAT-RAD10-26	00251	Rotor Blade
28	YDAT-RAD10-27	00253	Cylinder
29	YDAT-RAD10-28	00254	Pin
30	YDAT-RAD10-29	00255	Front Plate
31	YDAT-RAD10-30	00256	Washer
32	YDAT-RAD10-31	00257	Bearing
33	YDAT-RAD10-32	00258	Bearing
34	YDAT-RAD10-33	00259	Gear
35	YDAT-RAD10-34	00261	Pin
36	YDAT-RAD10-35	00262	Spindle
37	YDAT-RAD10-36	00263	Thread Ring Gear
38	YDAT-RAD10-37	00264	Bearing
39	YDAT-RAD10-38	00265	Clamp Nut
40	YDAT-RAD10-39	00266	Washer
41	YDAT-RAD10-40	00267	Keyed Chuck
42	YDAT-RAD10-41	00268	Screw
43	YDAT-RAD10-42	00269	Copper Ring
44	YDAT-RAD10-43	00270	Auxiliary Handle
45	YDAT-RAD10-44	00271	Soft Grip
46	YDAT-RAD10-45	00272	Trigger Nut
47	YDAT-RAD10-46	00273	Trigger Spring