



SPARE PARTS LISTING SHEET FOR

315mm 2000W 230V Contractors Saw

Stock No.84708

Part No.CTS315A

KEY No.	PART No.	STOCK No.	DESCRIPTION
1	YCTS315A-01	14894	Spring
2	YCTS315A-02	14895	Screw
3	YCTS315A-03	14896	Wheel support
4	YCTS315A-04	14897	Sheath
5	YCTS315A-05	14899	Wheel support
6	YCTS315A-06	14900	Wheel Shaft
7	YCTS315A-07	14901	Slip-on foot
8	YCTS315A-08	14902	Leg
9	YCTS315A-09	14903	Washer
10	YCTS315A-10	14904	Nut
11	YCTS315A-11	14905	Side brace
12	YCTS315A-12	14906	Front brace
13	YCTS315A-13	14907	Nut M8 x 50
14	YCTS315A-14	14908	handle
15	YCTS315A-15	14909	Handle plate A
16	YCTS315A-16	14911	Handle plate B
17	YCTS315A-17	14912	Joint
18	YCTS315A-18	14913	Nut M4
19	YCTS315A-19	14914	Support Plate
20	YCTS315A-20	14915	Clip box lid
21	YCTS315A-21	14916	Screw M10 x 20
22	YCTS315A-22	14917	Ring
23	YCTS315A-23	14918	Blade plate A
24	CSB315P	09496	Blade
25	YCTS315A-25	14922	Blade plate B
26	YCTS315A-26	14931	Side Cover
27	YCTS315A-27	14932	Cover
28	YCTS315A-28	14933	Screw M8
29	YCTS315A-29	14936	Lever Plate
30	YCTS315A-30	14938	Screw
31	YCTS315A-31	14939	Screw M4 x12
32	YCTS315A-32	14940	Dust port
33	YCTS315A-33	14941	Tip
34	YCTS315A-34	14942	Clip box
35	YCTS315A-35	14943	Adjustable handle

KEY No.	PART No.	STOCK No.	DESCRIPTION
36	YCTS315A-36	14944	Nut M10
37	YCTS315A-37	14945	Sleeve
38	YCTS315A-38	14946	Depth label
39	YCTS315A-39	14947	Screw M4 x 25
40	YCTS315A-40	14948	Ring
41	YCTS315A-41	14949	Block
42	YCTS315A-42	14950	Washer
43	YCTS315A-43	14951	Spring
44	YCTS315A-44	14952	Angle Plate
45	YCTS315A-45	14953	Screw
46	YCTS315A-46	14954	Screw with Pin
47	YCTS315A-47	14982	Indicator
48	YCTS315A-48	14983	Screw M8 x 16
49	YCTS315A-49	14984	Motor
50	YCTS315A-50	14985	Extension table
51	YCTS315A-51	14986	Nut M12
52	YCTS315A-52	14987	Pressure plate
53	YCTS315A-53	14988	Support
54	YCTS315A-54	14989	Screw
55	YCTS315A-55	14990	Splitting Wedge
56	YCTS315A-56	14991	Ring
57	YCTS315A-57	14992	Angle Plate B
58	YCTS315A-58	14993	Rail
59	YCTS315A-59	14994	Dust support
60	YCTS315A-60	14995	Screw
61	YCTS315A-61	14997	Knob B
62	YCTS315A-62	14998	Work Table
63	YCTS315A-63	15000	Label C
64	YCTS315A-64	15001	Screw
65	YCTS315A-65	15003	Table insert
66	YCTS315A-66	15004	Screw M5 x 16
67	YCTS315A-67	15006	Butterfly knob
68	YCTS315A-68	15009	Blade guard
69	YCTS315A-69	15010	Dust hose
70	YCTS315A-70	15012	Guard plate

Helpline: (023) 8049 4344. Sales Desk: (023) 8049 4333. General Enquiries: (023) 8026 6355.

DRAPER TOOLS LTD, HURSLEY ROAD, CHANDLER'S FORD, EASTLEIGH, HANTS. SO53 1YF. U.K website: drapertools.com e-mail: sales@drapertools.com



SPARE PARTS LISTING SHEET FOR

315mm 2000W 230V Contractors Saw

Stock No.84708

Part No.CTS315A

KEY No.	PART No.	STOCK No.	DESCRIPTION
71	YCTS315A-71	15013	Fence cover A
72	YCTS315A-72	15014	Fence
73	YCTS315A-73	15015	Fence cover B
74	YCTS315A-74	15016	Knob
75	YCTS315A-75	15017	Clip
76	YCTS315A-76	15018	Plank
77	YCTS315A-77	15026	Guide
78	YCTS315A-78	15027	Spring Pin
79	YCTS315A-79	15028	Pin
80	YCTS315A-80	15029	Guiding rod

KEY No.	PART No.	STOCK No.	DESCRIPTION
81	YCTS315A-81	15030	Screw
82	YCTS315A-82	15031	T screw
83	YCTS315A-83	15032	Leg
84	YCTS315A-84	15033	Sheath
85	YCTS315A-85	15034	Screw M8 x 10
86	YCTS315A-86	15035	Switch
87	YCTS315A-87	15036	Screw M8 x 10
88	YCTS315A-88	15037	Screw M4 x 25
89	YCTS315A-89	15038	Sleeve

Helpline: (023) 8049 4344. **Sales Desk:** (023) 8049 4333. **General Enquiries:** (023) 8026 6355.

DRAPER TOOLS LTD, HURSLEY ROAD, CHANDLERS FORD, EASTLEIGH, HANTS. SO53 1YF. U.K website: drapertools.com e-mail: sales@drapertools.com

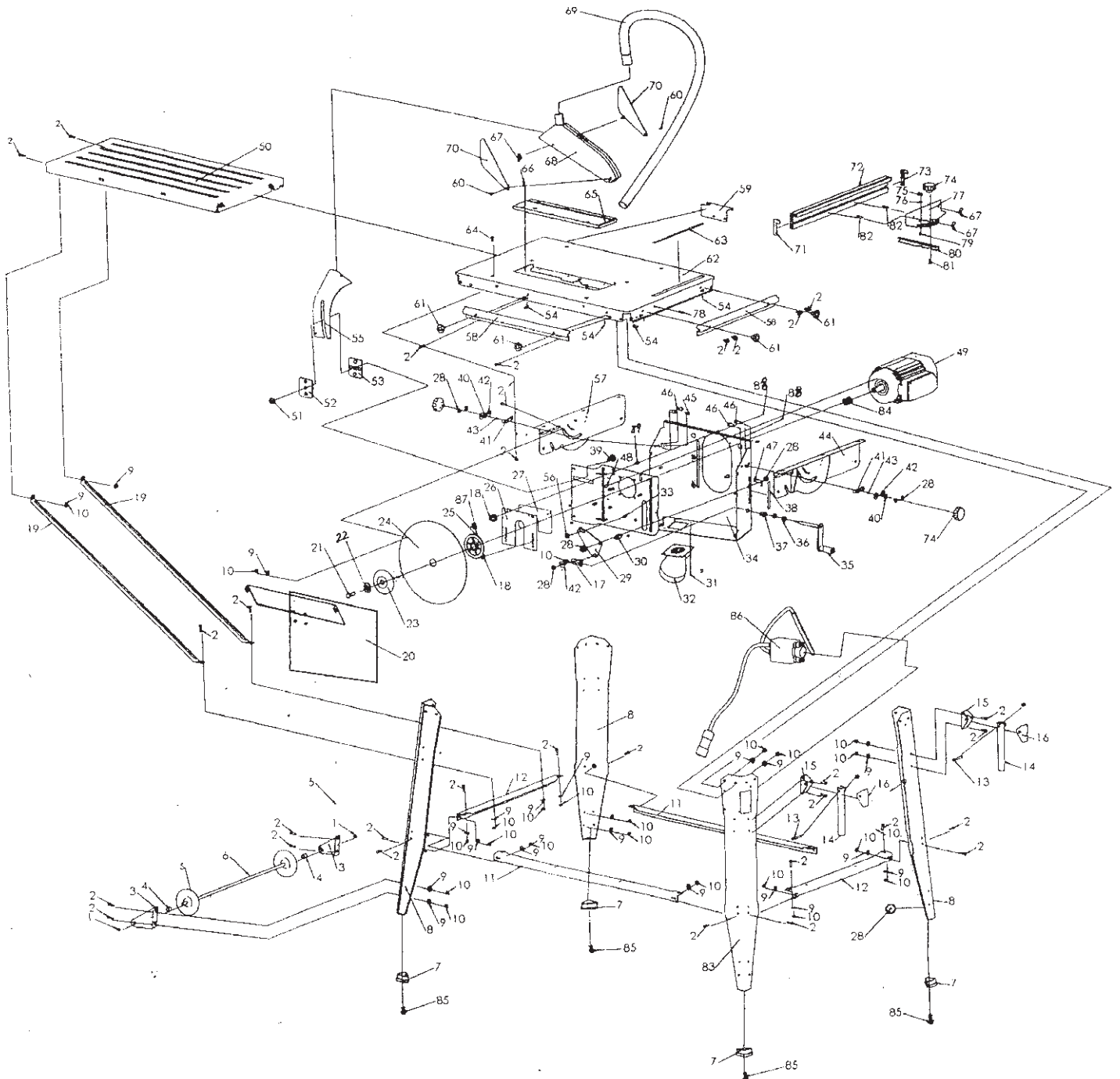


SPARE PARTS DRAWING SHEET FOR

315mm 2000W 230V Contractors Saw

Stock No.84708

Part No.CTS315A



Helpline: (023) 8049 4344. Sales Desk: (023) 8049 4333. General Enquiries: (023) 8026 6355.

DRAPER TOOLS LTD, HURSLEY ROAD, CHANDLER'S FORD, EASTLEIGH, HANTS. SO53 1YF. U.K website: drapertools.com e-mail: sales@drapertools.com