



SPARE PARTS LISTING SHEET FOR

305mm 750W 230V Wood Bandsaw

Stock No.84714

Part No.BS305

KEY No.	PART No.	STOCK No.	DESCRIPTION
1	YBS305-01	87402	Socket head screw
2	YBS305-02	87404	Flat washer
3	YBS305-03	87682	Blade tension knob
4	YBS305-04	87683	Screw
5	YBS305-05	87684	Bushing
6	YBS305-06	87752	Retaining ring
7	YBS305-07	87754	Frame cap
8	YBS305-08	87755	Pan head screw
9	YBS305-09	87810	Hex nut
10	YBS305-10	87811	Tension bracket
11	YBS305-11	87812	Spring
12	YBS305-12	87813	Nut
13	YBS305-13	87814	Connecting plate
14	YBS305-14	87815	Bolt
15	YBS305-15	87816	Hex head bolt
16	YBS305-16	87817	Flat washer
17	YBS305-17	87818	Guide rod
18	YBS305-18	87819	Nut
19	YBS305-19	87820	Lock nut
20	YBS305-20	87821	Blade tension pointer
21	YBS305-21	87822	Bolt
22	YBS305-22	87823	Retaining ring
23	YBS305-23	87824	Shaft
24	YBS305-24	87825	Guide plate
25	YBS305-25	87826	Pulling plate
26	YBS305-26	87827	Hex head bolt
27	YBS305-27	87828	Flat washer
28	YBS305-28	87829	Hex nut
29	YBS305-29	87830	Bevel block
30	YBS305-30	87831	Shaft
31	YBS305-31	87832	Ball bearing
32	YBS305-32	87833	Retaining ring
33	YBS305-33	87834	Upper wheel
34	YBS305-34	87835	Retaining ring
35	YBS305-35	87837	Tyre
36	Contact Draper	N/A	Blade
37	YBS305-37	87838	Upper cover

KEY No.	PART No.	STOCK No.	DESCRIPTION
38	YBS305-38	87839	Viewing window
39	YBS305-39	87840	Window case
40	YBS305-40	87841	Pan head screw
41	YBS305-41	87842	Interlock switch key
42	YBS305-42	87843	Hex. nut
43	YBS305-43	87845	Lower cover
44	YBS305-44	87846	Lock nut
45	YBS305-45	87847	Bushing
46	YBS305-46	87848	Socket head screw
47	YBS305-47	87849	LED driver
48	YBS305-48	87850	Flat washer
49	YBS305-49	87851	LED driver
50	YBS305-50	87853	Socket head screw
51	YBS305-51	87854	Thread forming screw
52	YBS305-52	87855	Cord clamp
53	YBS305-53	87856	LED switch box
54	YBS305-54	87857	Switch cover
55	YBS305-55	87858	Pan head screw
56	YBS305-56	87859	LED switch
57	YBS305-57	87860	Serrated washer
58	YBS305-58	87861	Pan head screw
59	YBS305-59	87862	Thread forming screw
60	YBS305-60	87863	Cord clamp
61	YBS305-61	87864	Cord clamp
62	YBS305-62	87865	Switch box
63	YBS305-63	87867	Connecting terminal
64	YBS305-64	87868	Thread forming screw
65	YBS305-65	87869	Main switch
66	YBS305-66	87870	Pan head screw
67	YBS305-67	87873	Frame
68	YBS305-68	87883	Nut
69	YBS305-69	87912	Flat washer
70	YBS305-70	87916	Bushing
71	YBS305-71	87935	Flat washer
72	YBS305-72	88076	Brush
73	YBS305-73	88077	Carriage bolt
74	YBS305-74	88078	Hex. nut

Helpline: (023) 8049 4344. Sales Desk: (023) 8049 4333. General Enquiries: (023) 8026 6355.

DRAPER TOOLS LTD, HURSLEY ROAD, CHANDLER'S FORD, EASTLEIGH, HANTS. SO53 1YF. U.K website: www.drapertools.com e-mail: sales@drapertools.com



SPARE PARTS LISTING SHEET FOR

305mm 750W 230V Wood Bandsaw

Stock No.84714

Part No.BS305

KEY No.	PART No.	STOCK No.	DESCRIPTION
75	YBS305-75	88080	Spindle pulley
76	YBS305-76	88081	Socket head screw
77	YBS305-77	88082	Drawer handle
78	YBS305-78	88084	Dust drawer
79	YBS305-79	88085	Spring
80	YBS305-80	88086	Ball
81	YBS305-81	88087	Thread forming screw
82	YBS305-82	88088	Ball house
83	YBS305-83	88089	Cover
84	YBS305-84	88092	Interlock switch
85	YBS305-85	88093	Switch
86	YBS305-86	88094	Hex. nut
87	YBS305-87	88096	Set screw
88	YBS305-88	88100	Cam
89	YBS305-89	88101	Bushing
90	YBS305-90	88102	Nut
91	YBS305-91	88120	Shaft
92	YBS305-92	88121	Handle
93	YBS305-93	88122	Handle cap
94	YBS305-94	88197	Tracking set knob
95	YBS305-95	88225	Tracking lock knob
96	YBS305-96	88226	Cap
97	YBS305-97	88228	Thread forming screw
98	YBS305-98	88229	Limiting plate
99	YBS305-99	88234	Upper blade guard
100	YBS305-100	88236	Shaft
101	YBS305-101	88245	Gear
102	YBS305-102	88294	Upper guide adjusting knob
103	YBS305-103	88321	Spring
104	YBS305-104	88436	Lock knob
105	YBS305-105	88437	Rack
106	YBS305-106	88624	Pin
107	YBS305-107	88648	Sliding cover
108	YBS305-108	88689	Socket head bolt
109	YBS305-109	88692	Support block
110	YBS305-110	88732	Connecting shaft
111	YBS305-111	88733	Set screw

KEY No.	PART No.	STOCK No.	DESCRIPTION
112	YBS305-112	88751	Thread forming screw
113	YBS305-113	88753	Retaining ring
114	YBS305-114	88754	Bearing
115	YBS305-115	88759	Shaft
116	YBS305-116	88760	Knob
117	YBS305-117	88779	Flat washer
118	YBS305-118	88853	Socket head screw
119	YBS305-119	88867	Flat washer
120	YBS305-120	88899	Knob
121	YBS305-121	88909	Guide block
122	YBS305-122	88923	Shaft
123	YBS305-123	89014	Ball bearing
124	YBS305-124	89016	Socket head screw
125	YBS305-125	89017	Cover lock knob
126	YBS305-126	89018	Guide plate
127	YBS305-127	89077	Lock nut
128	YBS305-128	89078	Set screw
129	YBS305-129	89079	Flat washer
130	YBS305-130	89082	Hex. head bolt
131	YBS305-131	89083	Cord bushing
132	YBS305-132	89085	Limiting shaft
133	YBS305-133	89114	Hex. nut
134	YBS305-134	89116	Guide block
135	YBS305-135	89217	Lower guard
136	YBS305-136	89229	Hex. head bolt
137	YBS305-137	89304	Flat washer
138	YBS305-138	89329	Shaft
139	YBS305-139	89338	Hex. nut
140	YBS305-140	89339	Hex. head bolt
141	YBS305-141	89414	Hex. nut
142	YBS305-142	89432	Hex. head bolt
143	YBS305-143	89599	Hex. head bolt
144	YBS305-144	89660	Flat washer
145	YBS305-145	89661	Guide block
146	YBS305-146	89662	Set screw
147	YBS305-147	89946	Socket head screw
148	YBS305-148	89999	Socket head screw

Helpline: (023) 8049 4344. Sales Desk: (023) 8049 4333. General Enquiries: (023) 8026 6355.

DRAPER TOOLS LTD, HURSLEY ROAD, CHANDLER'S FORD, EASTLEIGH, HANTS. SO53 1YF. U.K website: www.drapertools.com e-mail: sales@drapertools.com



SPARE PARTS LISTING SHEET FOR

305mm 750W 230V Wood Bandsaw

Stock No.84714

Part No.BS305

KEY No.	PART No.	STOCK No.	DESCRIPTION
149	YBS305-149	14218	Pin
150	YBS305-150	14219	Dust port cover
151	YBS305-151	14220	Dust port
152	YBS305-152	14221	Pan head screw
153	YBS305-153	14222	Set screw
154	YBS305-154	14223	Bushing
155	YBS305-155	14224	Idle pulley shaft
156	YBS305-156	14225	Idle pulley
157	YBS305-157	14226	Ball bearing
158	YBS305-158	14227	Retaining ring
159	YBS305-159	14228	Belt
160	YBS305-160	14229	Motor pulley
161	YBS305-161	14230	Set screw
162	YBS305-162	14231	Key
163	YBS305-163	14232	Motor
164	YBS305-164	14233	Flat washer
165	YBS305-165	14234	Socket head screw
166	YBS305-166	14235	Belt tension knob
167	YBS305-167	14236	Retaining ring
168	YBS305-168	14237	Gear
169	YBS305-169	14238	Table adjusting knob
170	YBS305-170	14239	Lock knob
171	YBS305-171	14241	Table
172	YBS305-172	14247	Table insert
173	YBS305-173	14248	Carriage bolt
174	YBS305-174	14270	Angle guide plate
175	YBS305-175	14303	Table bevelling base
176	YBS305-176	14322	Bushing
177	YBS305-177	14354	Flat washer
178	YBS305-178	14483	Lock nut
179	YBS305-179	14484	Pan head screw
180	YBS305-180	14485	Flat washer
181	YBS305-181	14486	Pointer
182	YBS305-182	14487	Flat washer
183	YBS305-183	14488	Hex. head bolt
184	YBS305-184	14489	Flat washer
185	YBS305-185	14490	Socket head screw

KEY No.	PART No.	STOCK No.	DESCRIPTION
186	YBS305-186	14491	Hex. nut
187	YBS305-187	14495	Limiting plate
188	YBS305-188	14496	Hex. head bolt
189	YBS305-189	14497	Locking handle
190	YBS305-190	14498	Cap
191	YBS305-191	14507	Handle
192	YBS305-192	14511	Washer
193	YBS305-193	14512	Miter gauge
194	YBS305-194	14513	Pan head screw
195	YBS305-195	14516	Pointer
196	YBS305-196	14517	Rod
197	YBS305-197	14518	Socket head screw
198	YBS305-198	14521	Cord clamp
199	YBS305-199	14522	Flat washer
200	YBS305-200	14523	Nut
201	YBS305-201	14524	Hex. nut
202	YBS305-202	14525	LED driver
203	YBS305-203	14526	Power cord
204	YBS305-204	14528	Inner cord
205	YBS305-205	14529	Flexible tube
206	YBS305-206	14530	Knob
207	YBS305-207	14533	Flat washer
208	YBS305-208	14534	Fence support cap
209	YBS305-209	14535	Fence support
210	YBS305-210	14536	Guide plate
211	YBS305-211	14537	Carriage bolt
212	YBS305-212	14538	Fence
213	YBS305-213	14539	Socket head bolt
214	YBS305-214	14541	Nut
215	YBS305-215	14542	Sliding base
216	YBS305-216	14543	Pointer
217	YBS305-217	14544	Thread forming screw
218	YBS305-218	14545	Spring plate
219	YBS305-219	14547	Pan head screw
220	YBS305-220	14549	Lock block
221	YBS305-221	14550	Lock handle
222	YBS305-222	14551	Shaft

Helpline: (023) 8049 4344. Sales Desk: (023) 8049 4333. General Enquiries: (023) 8026 6355.

DRAPER TOOLS LTD, HURSLEY ROAD, CHANDLER'S FORD, EASTLEIGH, HANTS. SO53 1YF. U.K website: www.drapertools.com e-mail: sales@drapertools.com



SPARE PARTS LISTING SHEET FOR

305mm 750W 230V Wood Bandsaw

Stock No.84714

Part No.BS305

KEY No.	PART No.	STOCK No.	DESCRIPTION
223	YBS305-223	14552	Guide rail cap
224	YBS305-224	14553	Guide rail
225	YBS305-225	14554	Guide rail cap
226	YBS305-226	14555	Flat washer
227	YBS305-227	14556	Socket head screw
228	YBS305-228	14557	Long brace
229	YBS305-229	14558	Leg
230	YBS305-230	14559	Hex. nut
231	YBS305-231	14560	Flat washer
232	YBS305-232	14561	Carriage bolt
233	YBS305-233	14562	Short brace

KEY No.	PART No.	STOCK No.	DESCRIPTION
234	YBS305-234	14563	Push stick
235	YBS305-235	14564	Hook
236	YBS305-236	14574	Hex. nut
237	YBS305-237	14581	Rack
238	YBS305-238	14582	Pan head screw
239	YBS305-239	14584	Open spanner
240	YBS305-240	14590	6mm hex. wrench
241	YBS305-241	14595	5mm hex. wrench
242	YBS305-242	14596	4mm hex. wrench
243	YBS305-243	14597	3mm hex. wrench

Helpline: (023) 8049 4344. Sales Desk: (023) 8049 4333. General Enquiries: (023) 8026 6355.

DRAPER TOOLS LTD, HURSLEY ROAD, CHANDLER'S FORD, EASTLEIGH, HANTS. SO53 1YF. U.K website: www.drapertools.com e-mail: sales@drapertools.com

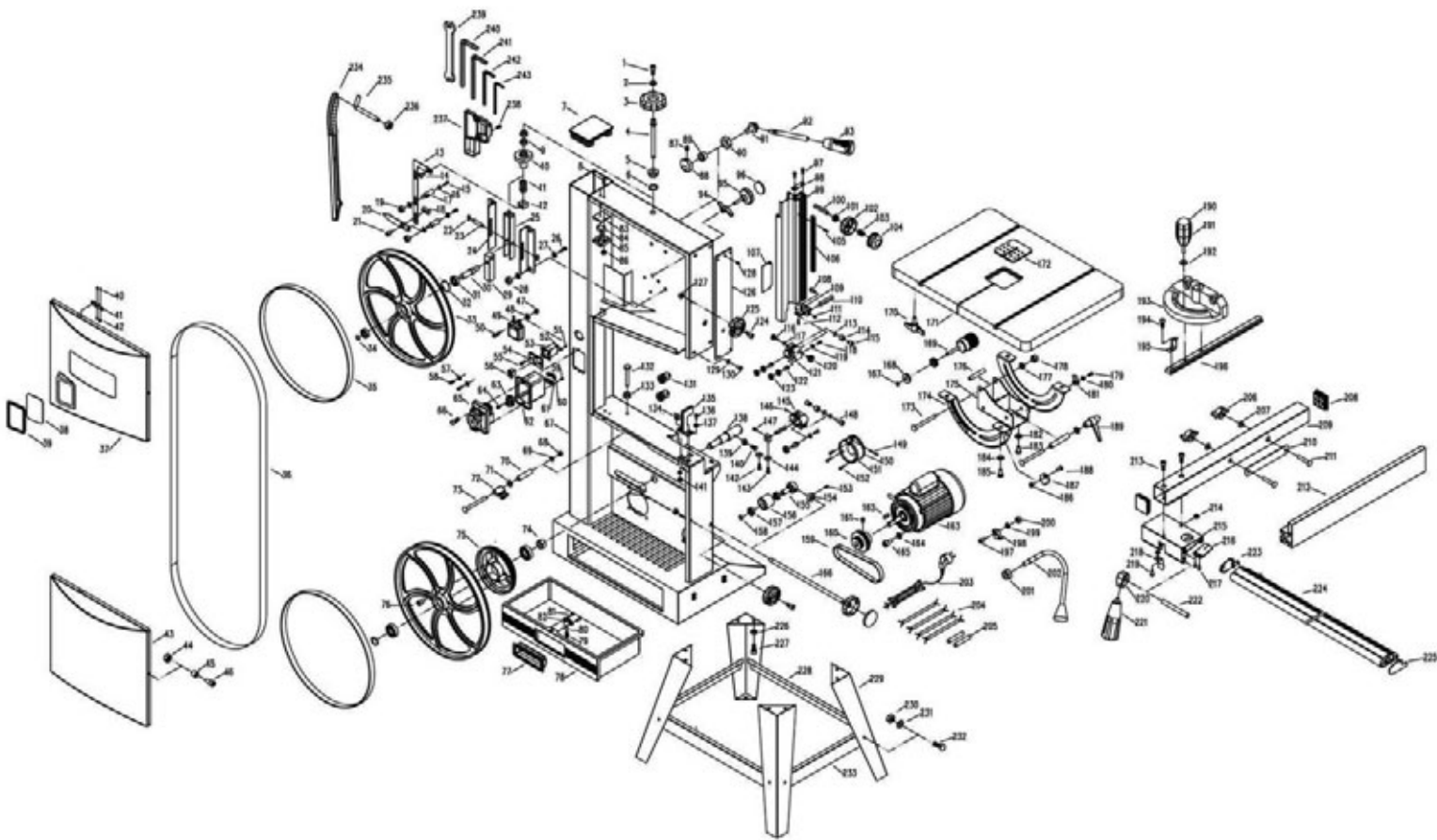


SPARE PARTS DRAWING SHEET FOR

305mm 750W 230V Wood Bandsaw

Stock No.84714

Part No.BS305



Helpline: (023) 8049 4344. **Sales Desk:** (023) 8049 4333. **General Enquiries:** (023) 8026 6355.

DRAPER TOOLS LTD, HURSLEY ROAD, CHANDLER'S FORD, EASTLEIGH, HANTS. SO53 1YF. U.K website: www.drapertools.com e-mail: sales@drapertools.com

DKDH120116