

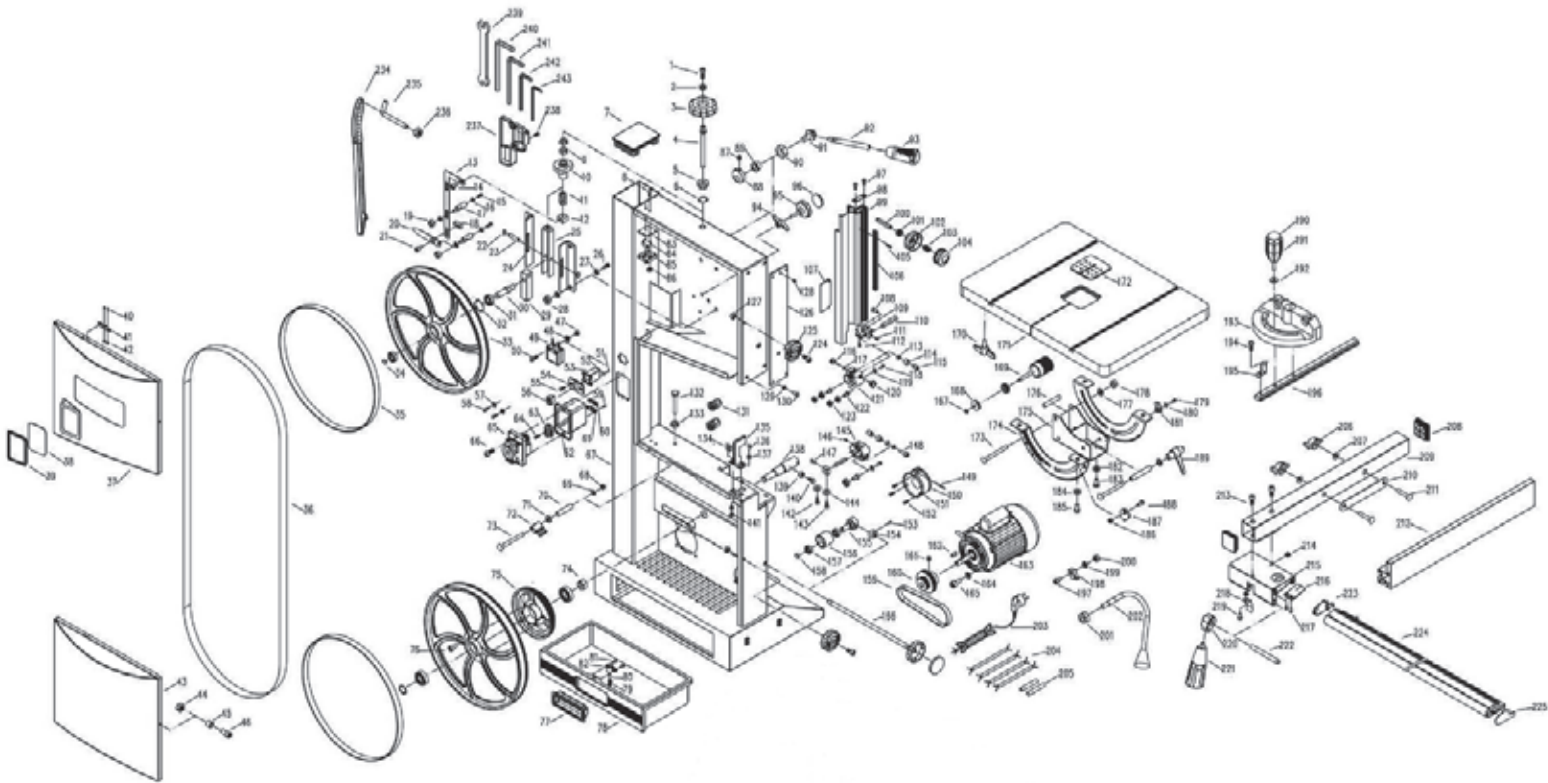


SPARE PARTS DRAWING SHEET FOR

350mm 1100W 230V Wood Bandsaw

Stock No.84715

Part No.BS350D



Helpline: (023) 8049 4344. **Sales Desk:** (023) 8049 4333. **General Enquiries:** (023) 8026 6355.

DRAPER TOOLS LTD, HURSLEY ROAD, CHANDLER'S FORD, EASTLEIGH, HANTS. SO53 1YF. U.K website: www.drapertools.com e-mail: sales@drapertools.com

DKLJ030816



SPARE PARTS LISTING SHEET FOR

350mm 1100W 230V Wood Bandsaw

Stock No.84715

Part No.BS350D

KEY No.	PART No.	STOCK No.	DESCRIPTION
1	YBS350D-01	21505	Socket head screw
2	YBS350D-02	21521	Flat washer
3	YBS350D-03	21547	Blade tension knob
4	YBS350D-04	21551	Screw
5	YBS350D-05	21553	Bushing
6	YBS350D-06	21556	Retaining ring
7	YBS350D-07	21557	Frame cap
8	YBS350D-08	21563	Pan head screw
9	YBS350D-09	21589	Hex nut
10	YBS350D-10	21597	Tension bracket
11	YBS350D-11	21604	Spring
12	YBS350D-12	21612	Nut
13	YBS350D-13	21620	Connecting plate
14	YBS350D-14	21622	Bolt
15	YBS350D-15	21623	Hex head bolt
16	YBS350D-16	21624	Flat washer
17	YBS350D-17	21637	Guide rod
18	YBS350D-18	21638	Nut
19	YBS350D-19	21646	Lock nut
20	YBS350D-20	21664	Blade tension pointer
21	YBS350D-21	21669	Bolt
22	YBS350D-22	21691	Retaining ring
23	YBS350D-23	21692	Shaft
24	YBS350D-24	21693	Guide plate
25	YBS350D-25	21698	Pulling plate
26	YBS350D-26	21700	Hex head bolt
27	YBS350D-27	21705	Flat washer
28	YBS350D-28	21712	Hex nut
29	YBS350D-29	21722	Bevel block
30	YBS350D-30	21724	Shaft
31	YBS350D-31	21788	Ball bearing
32	YBS350D-32	21790	Retaining ring
33	YBS350D-33	21792	Upper wheel
34	YBS350D-34	21797	Retaining ring
35	YBS350D-35	21828	Tyre
36	Contact Draper	N/A	Blade
37	YBS350D-37	21846	Upper cover

KEY No.	PART No.	STOCK No.	DESCRIPTION
38	YBS350D-38	21853	Viewing window
39	YBS350D-39	21854	Window case
40	YBS350D-40	21855	Pan head screw
41	YBS350D-41	21856	Interlock switch key
42	YBS350D-42	21887	Hex. nut
43	YBS350D-43	21890	Lower cover
44	YBS350D-44	21894	Lock nut
45	YBS350D-45	21901	Bushing
46	YBS350D-46	21915	Socket head screw
47	YBS350D-47	21919	Nut
48	YBS350D-48	21951	Flat washer
49	YBS350D-49	21953	LED driver
50	YBS350D-50	21959	Socket head screw
51	YBS350D-51	21962	Thread forming screw
52	YBS350D-52	21967	Cord clamp
53	YBS350D-53	21969	LED switch box
54	YBS350D-54	21972	Switch cover
55	YBS350D-55	21977	Pan head screw
56	YBS350D-56	21984	LED switch
57	YBS350D-57	21985	Serrated washer
58	YBS350D-58	21993	Pan head screw
59	YBS350D-59	22000	Thread forming screw
60	YBS350D-60	22392	Cord clamp
61	YBS350D-61	22416	Cord clamp
62	YBS350D-62	22426	Switch box
63	YBS350D-63	22431	Connecting terminal
64	YBS350D-64	22432	Thread forming screw
65	YBS350D-65	22433	Main switch
66	YBS350D-66	22435	Pan head screw
67	YBS350D-67	22437	Frame
68	YBS350D-68	22441	Nut
69	YBS350D-69	22446	Flat washer
70	YBS350D-70	22477	Bushing
71	YBS350D-71	22480	Flat washer
72	YBS350D-72	22500	Brush
73	YBS350D-73	22502	Carriage bolt
74	YBS350D-74	22504	Hex. nut

Helpline: (023) 8049 4344. Sales Desk: (023) 8049 4333. General Enquiries: (023) 8026 6355.

DRAPER TOOLS LTD, HURSLEY ROAD, CHANDLER'S FORD, EASTLEIGH, HANTS. SO53 1YF. U.K website: www.drapertools.com e-mail: sales@drapertools.com

DKLJ030816



SPARE PARTS LISTING SHEET FOR

350mm 1100W 230V Wood Bandsaw

Stock No.84715

Part No.BS350D

KEY No.	PART No.	STOCK No.	DESCRIPTION
75	YBS350D-75	22507	Spindle pulley
76	YBS350D-76	22523	Socket head screw
77	YBS350D-77	22536	Drawer handle
78	YBS350D-78	22539	Dust drawer
79	YBS350D-79	22540	Spring
80	YBS350D-80	22568	Ball
81	YBS350D-81	22610	Thread forming screw
82	YBS350D-82	22627	Ball house
83	YBS350D-83	22645	Cover
84	YBS350D-84	22669	Interlock switch
85	YBS350D-85	22712	Switch
86	YBS350D-86	22768	Hex. nut
87	YBS350D-87	22786	Set screw
88	YBS350D-88	22788	Cam
89	YBS350D-89	22793	Bushing
90	YBS350D-90	22828	Nut
91	YBS350D-91	22830	Shaft
92	YBS350D-92	22850	Handle
93	YBS350D-93	22889	Handle cap
94	YBS350D-94	22915	Tracking set knob
95	YBS350D-95	22918	Tracking lock knob
96	YBS350D-96	22945	Cap
97	YBS350D-97	22954	Thread forming screw
98	YBS350D-98	22963	Limiting plate
99	YBS350D-99	22965	Upper blade guard
100	YBS350D-100	22966	Shaft
101	YBS350D-101	22967	Gear
102	YBS350D-102	22968	Upper guide adjusting knob
103	YBS350D-103	22971	Spring
104	YBS350D-104	22972	Lock knob
105	YBS350D-105	22973	Rack
106	YBS350D-106	22978	Pin
107	YBS350D-107	22995	Sliding cover
108	YBS350D-108	22996	Socket head bolt
109	YBS350D-109	22998	Support block
110	YBS350D-110	23006	Connecting shaft
111	YBS350D-111	23027	Set screw

KEY No.	PART No.	STOCK No.	DESCRIPTION
112	YBS350D-112	23042	Thread forming screw
113	YBS350D-113	23053	Retaining ring
114	YBS350D-114	23067	Bearing
115	YBS350D-115	23090	Shaft
116	YBS350D-116	23157	Knob
117	YBS350D-117	23261	Flat washer
118	YBS350D-118	23263	Socket head screw
119	YBS350D-119	23273	Flat washer
120	YBS350D-120	23337	Knob
121	YBS350D-121	23352	Guide block
122	YBS350D-122	23363	Shaft
123	YBS350D-123	23368	Ball bearing
124	YBS350D-124	23380	Socket head screw
125	YBS350D-125	23396	Cover lock knob
126	YBS350D-126	23407	Guide plate
127	YBS350D-127	23409	Lock nut
128	YBS350D-128	23435	Set screw
129	YBS350D-129	23481	Flat washer
130	YBS350D-130	23523	Hex. head bolt
131	YBS350D-131	23548	Cord bushing
132	YBS350D-132	23566	Limiting shaft
133	YBS350D-133	23570	Hex. nut
134	YBS350D-134	23575	Guide block
135	YBS350D-135	23610	Lower guard
136	YBS350D-136	23680	Hex. head bolt
137	YBS350D-137	23683	Flat washer
138	YBS350D-138	23737	Shaft
139	YBS350D-139	23749	Hex. nut
140	YBS350D-140	23756	Hex. head bolt
141	YBS350D-141	23816	Hex. nut
142	YBS350D-142	23904	Hex. head bolt
143	YBS350D-143	23928	Hex. head bolt
144	YBS350D-144	23936	Flat washer
145	YBS350D-145	23943	Guide block
146	YBS350D-146	23945	Set screw
147	YBS350D-147	23946	Socket head screw
148	YBS350D-148	23948	Socket head screw

Helpline: (023) 8049 4344. Sales Desk: (023) 8049 4333. General Enquiries: (023) 8026 6355.

DRAPER TOOLS LTD, HURSLEY ROAD, CHANDLER'S FORD, EASTLEIGH, HANTS. SO53 1YF. U.K website: www.drapertools.com e-mail: sales@drapertools.com

DKLJ030816



SPARE PARTS LISTING SHEET FOR

350mm 1100W 230V Wood Bandsaw

Stock No.84715

Part No.BS350D

KEY No.	PART No.	STOCK No.	DESCRIPTION
149	YBS350D-149	23954	Pin
150	YBS350D-150	23963	Dust port cover
151	YBS350D-151	23976	Dust port
152	YBS350D-152	27881	Pan head screw
153	YBS350D-153	27898	Set screw
154	YBS350D-154	27903	Bushing
155	YBS350D-155	27904	Idle pulley shaft
156	YBS350D-156	27906	Idle pulley
157	YBS350D-157	27907	Ball bearing
158	YBS350D-158	27908	Retaining ring
159	YBS350D-159	27924	Belt
160	YBS350D-160	27925	Motor pulley
161	YBS350D-161	27926	Set screw
162	YBS350D-162	27927	Key
163	YBS350D-163	27928	Motor
164	YBS350D-164	27929	Flat washer
165	YBS350D-165	27932	Socket head screw
166	YBS350D-166	27933	Belt tension knob
167	YBS350D-167	27934	Retaining ring
168	YBS350D-168	27935	Gear
169	YBS350D-169	27936	Table adjusting knob
170	YBS350D-170	27937	Lock knob
171	YBS350D-171	27938	Table
172	YBS350D-172	27939	Table insert
173	YBS350D-173	27948	Carriage bolt
174	YBS350D-174	27967	Angle guide plate
175	YBS350D-175	27996	Table bevelling base
176	YBS350D-176	28007	Bushing
177	YBS350D-177	28021	Flat washer
178	YBS350D-178	28044	Lock nut
179	YBS350D-179	28061	Pan head screw
180	YBS350D-180	28063	Flat washer
181	YBS350D-181	28064	Pointer
182	YBS350D-182	28069	Flat washer
183	YBS350D-183	28071	Hex. head bolt
184	YBS350D-184	28072	Flat washer
185	YBS350D-185	28093	Socket head screw

KEY No.	PART No.	STOCK No.	DESCRIPTION
186	YBS350D-186	28094	Hex. nut
187	YBS350D-187	28113	Limiting plate
188	YBS350D-188	28114	Hex. head bolt
189	YBS350D-189	28115	Locking handle
190	YBS350D-190	28390	Cap
191	YBS350D-191	28392	Handle
192	YBS350D-192	28438	Washer
193	YBS350D-193	28588	Miter gauge
194	YBS350D-194	28594	Pan head screw
195	YBS350D-195	28596	Pointer
196	YBS350D-196	28597	Rod
197	YBS350D-197	28599	Socket head screw
198	YBS350D-198	28600	Cord clamp
199	YBS350D-199	28606	Flat washer
200	YBS350D-200	28613	Nut
201	YBS350D-201	28914	Hex. nut
202	YBS350D-202	28642	LED driver
203	YBS350D-203	28643	Power cord
204	YBS350D-204	28645	Inner cord
205	YBS350D-205	28669	Flexible tube
206	YBS350D-206	28673	Knob
207	YBS350D-207	28678	Flat washer
208	YBS350D-208	28762	Fence support cap
209	YBS350D-209	28767	Fence support
210	YBS350D-210	28792	Guide plate
211	YBS350D-211	28817	Carriage bolt
212	YBS350D-212	28865	Fence
213	YBS350D-213	29139	Socket head bolt
214	YBS350D-214	29181	Nut
215	YBS350D-215	29210	Sliding base
216	YBS350D-216	29224	Pointer
217	YBS350D-217	29256	Thread forming screw
218	YBS350D-218	29267	Spring plate
219	YBS350D-219	29280	Pan head screw
220	YBS350D-220	29281	Lock block
221	YBS350D-221	29290	Lock handle
222	YBS350D-222	29296	Shaft

Helpline: (023) 8049 4344. Sales Desk: (023) 8049 4333. General Enquiries: (023) 8026 6355.

DRAPER TOOLS LTD, HURSLEY ROAD, CHANDLER'S FORD, EASTLEIGH, HANTS. SO53 1YF. U.K website: www.drapertools.com e-mail: sales@drapertools.com



SPARE PARTS LISTING SHEET FOR

350mm 1100W 230V Wood Bandsaw

Stock No.84715

Part No.BS350D

KEY No.	PART No.	STOCK No.	DESCRIPTION
223	YBS350D-223	29367	Guide rail cap
224	YBS350D-224	29389	Guide rail
225	YBS350D-225	29431	Guide rail cap
234	YBS350D-234	29561	Push stick
235	YBS350D-235	29565	Hook
236	YBS350D-236	29571	Hex. nut
237	YBS350D-237	29580	Rack

KEY No.	PART No.	STOCK No.	DESCRIPTION
238	YBS350D-238	29589	Pan head screw
239	YBS350D-239	29597	Open spanner
240	YBS350D-240	29599	6mm hex. wrench
241	YBS350D-241	29601	5mm hex. wrench
242	YBS350D-242	29604	4mm hex. wrench
243	YBS350D-243	29611	3mm hex. wrench

Helpline: (023) 8049 4344. Sales Desk: (023) 8049 4333. General Enquiries: (023) 8026 6355.

DRAPER TOOLS LTD, HURSLEY ROAD, CHANDLER'S FORD, EASTLEIGH, HANTS. SO53 1YF. U.K website: www.drapertools.com e-mail: sales@drapertools.com

DKLJ030816