



Hand Push Lawn Mower

Stock No.84749

Part No.GLM38

ASSEMBLY INSTRUCTIONS

12/2015

1. PACKAGING

Carefully remove the product from the packaging and examine it for any sign of damage that may have happened during shipping. Lay the contents out and check them against the parts shown below. If any part is damaged or missing; please contact the Draper Helpline and do not attempt to use the product.

The packaging material should be retained at least during the guarantee period: in case the machine needs to be returned for repair.

Warning! Some of the packaging materials used may be harmful to children. Do not leave any of these materials in the reach of children.

If any of the packaging is to be thrown away, make sure they are disposed of correctly; according to local regulations.

2. WHAT'S IN THE BOX



- ① Wheel
- ② Cutting height adjustment bracket
- ③ Cutting assembly
- ④ Grass bag
- ⑤ Handle

3. IMPORTANT SAFETY INSTRUCTIONS

WARNING! Read and understand all instructions. Failure to follow all instructions listed below may result in serious personal injury.

SAVE THESE INSTRUCTIONS!

WARNING: Blades are extremely sharp! To avoid injury, be very careful not to touch the blades.

IMPORTANT SAFETY INSTRUCTIONS

1. Never place hands, fingers or feet inside the mower. The mower is not motor-powered, but when the wheels turn, the blades spin and will cut.
2. Never mow when grass is wet enough to be slippery.
3. Always wear protective footwear. Do not use mower while barefoot or wearing sandals.
4. Walk behind, never run, while using mower. Always make sure of footing when using mower.
5. Never hit trees, fences, etc. This can cause injuries or damage the mower.
6. Make sure mower is in safe operating condition. Do not attempt to operate mower if it is damaged.
7. Keep mower out of the reach of children and animals.
8. Keep hair, clothing, fingers and all parts of body clear of moving parts.
9. Dress properly! Do not wear loose clothing or jewellery which can be caught by moving parts. Use of non-slip footwear is recommended.
10. To reduce the risk of injury do not use any other accessories or attachments with this product other than those described in this manual.
11. This mower is designed for use on residential lawns. It is not designed for commercial use or for use in public facilities, parks, sporting grounds, roads, or in agriculture or forestry areas.
12. This mower is for cutting lawns only. Any other application is considered mis-use.

WARNING: The warnings, cautions, and instructions in this manual cannot cover all possible conditions and situations that may occur.

4. HANDLING & STORAGE

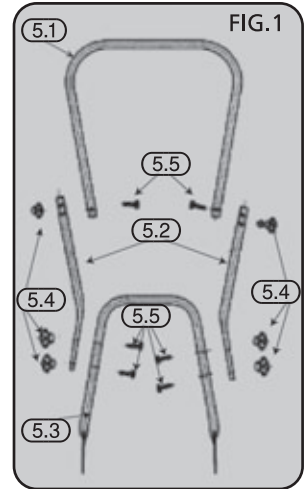
The environment will have a negative result on its operation if you are not careful. If the air is damp, components will rust. If the machine is unprotected from dust and debris; components will become clogged: And if not cleaned and maintained correctly or regularly the machine will not perform at its best.

5. ASSEMBLY

5.1 HANDLE ASSEMBLY - FIG. 1

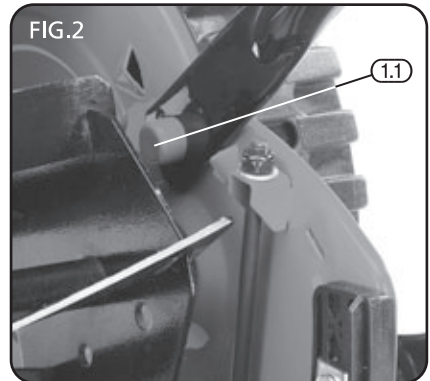
NOTE: Do not completely tighten bolts until assembly is complete.

- Insert the two centre handles (5.2) into the left and right sides of the top handle (5.1).
- Secure into place with two knobs (5.4) and screws (5.5).
- Attach the sides of top handle (5.1) sub-assembly to the sides of bottom handle sub-assembly.
- Use four knobs (5.4) and screws (5.5).
- Tighten all wing nuts and bolt sets on the handle assembly.



5.2 ATTACHING HANDLE TO THE MOWER BASE - FIG. 2

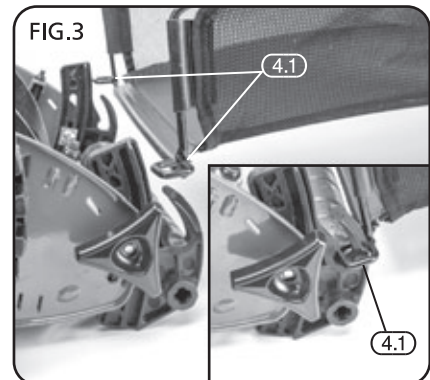
- Align holes at the lower end of each handle arm with the short posts (1.1) extending from the mower base side plates.
- Squeezing handle arms together slightly, slide the lower ends of handle arms onto posts.



5.3 ATTACHING THE GRASS CATCHER TO THE MOWER BASE - FIGS. 3 & 4

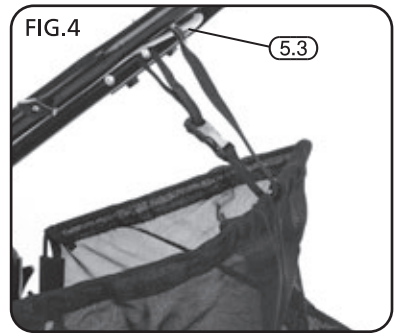
NOTE: The mower can be used with or without the grass catcher.

- Hook the grass box wire frame (4.1) over the height adjustment bracket on both sides.



5. ASSEMBLY

- Adjust the strap length to hold the grass box off the ground, then clip around the bottom handle (5.3).



6. PARTS LIST

- 1 Top Handle Guard
- 2 Top Handle
- 3 Knob
- 4 M6 x 35 screw x6
- 5 Centre Handle x2
- 6 Bottom Handle
- 7 Track Roller Axis
- 8 Track Roller
- 9 Track Roller Bracket x2
- 10 Gasket x4
- 11 Small Triangle Knob x2
- 12 Square hole Bolster x2
- 13 Round Head Short Square Neck Bolts x2
- 14 Insert Nuts x2
- 15 Tool setting Tie Bar x2
- 16 Wheel x2
- 17 Wheel Cap x2
- 18 Elastic Damping Ring x2
- 19 Gasket x2
- 20 Shell Welded Assembly
- 21 Pinion x2
- 22 Bearing x2
- 23 Spring Ring x2
- 24 Welded Hub
- 25 Elastic Damping Ring
- 26 Macro-axis x2
- 27 Tongue Piece x2
- 28 Grass bag

