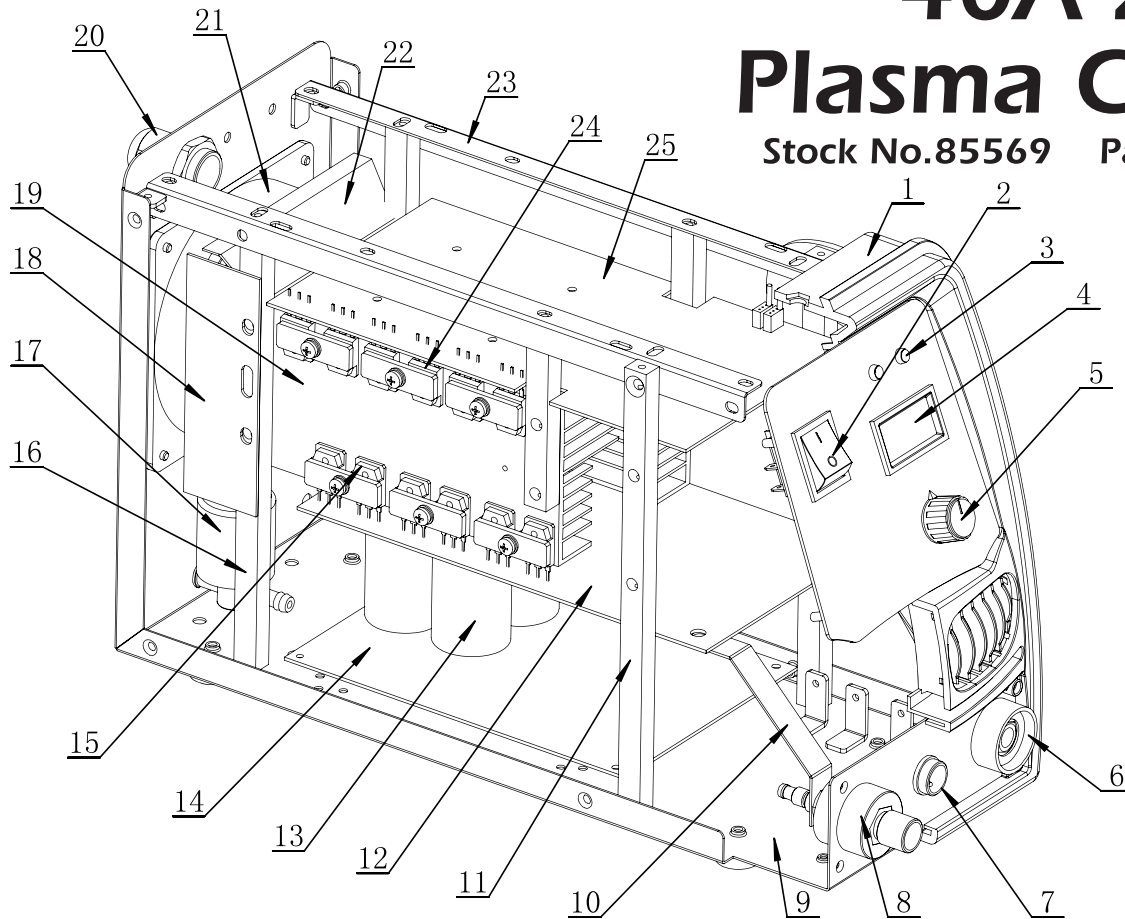


DRAPER

SPARE PARTS LISTING & DRAWING SHEET FOR

40A 230V Plasma Cutter

Stock No.85569 Part No.IPC41



KEY No.	PART No.	STOCK No.	DESCRIPTION
1	Y-IPC40/41-01	80835	Plastic panel
2	Y-IPC40/41-02	80836	Rocker switch
3	Y-IPC40/41-03	80837	Indicator light
4	Y-IPC40/41-04	80838	Current digital display
5	Y-IPC40/41-05	80839	Potentiometer switch
6	Y-IPC40/41-06	80840	Output connector
7	Y-IPC40/41-07	80841	Ws connection
8	Y-IPC40/41-08	80842	Integration (gas / electric)
9	Y-IPC40/41-09	80843	Crate
10	Y-IPC40/41-10	80845	Output copper bar
11	Y-IPC40/41-11	80846	Stand column
12	Y-IPC40/41-12	80847	Middle board
13	Y-IPC40/41-13	80848	Capacitor
14	Y-IPC40/41-14	80849	Bottom board
15	Y-IPC40/41-15	80850	Diode
16	Y-IPC40/41-16	80851	Stand column

KEY No.	PART No.	STOCK No.	DESCRIPTION
17	Y-IPC40/41-17	80852	Radio tube
18	Y-IPC40/41-18	80853	Side wind screen
19	Y-IPC40/41-19	80863	Radiator
20	Y-IPC40/41-20	80865	Strain relief
21	Y-IPC40/41-21	80866	Fan
22	Y-IPC40/41-22	80867	Up wind screen
23	Y-IPC40/41-23	80869	Beam
24	Y-IPC40/41-24	80870	Mosfet
25	Y-IPC40/41-25	80871	Upboard
26	Y-IPC40/41-26	80881	Earth clamp + cable
27	Y-IPC40/41-27	80882	Plasma torch
28	Y-IPC40/41-28	80883	Ceramic shroud
29	Y-IPC40/41-29	80884	Nozzle
30	Y-IPC40/41-30	80885	Electrode
31	Y-IPC40/41-31	80886	Ring

Helpline: (023) 8049 4344. Sales Desk: (023) 8049 4333. General Enquiries: (023) 8026 6355.

DRAPER TOOLS LTD, HURSLEY ROAD, CHANDLER'S FORD, EASTLEIGH, HANTS. SO53 1YF. U.K website:drapertools.com e-mail: sales@drapertools.com

KCC1215