



SPARE PARTS LISTING SHEET FOR 2.2kVA/2.0kW Petrol Generator

Stock No.87059

Part No.PG252F

KEY No.	PART No.	STOCK No.	DESCRIPTION
1	Y-PG252F-01	15632	Starter assembly
2	Y-PG252F-02	15633	Starting cup
3	Y-PG252F-03	15634	Flywheel fan
4	Y-PG252F-04	15635	Flywheel
5	Y-PG252F-05	15637	Oil seal
6	Y-PG252F-06	15638	Bearing 6205
7	Y-PG252F-07	15640	Crankcase
8	Y-PG252F-08	15648	Crankcase gasket
9	Y-PG252F-09	15649	Crankcase sets
10	Y-PG252F-10	15650	Oil rule
11	Y-PG252F-11	15651	Crankcase cover
12	Y-PG252F-12	15652	Ignition coil unit
13	Y-PG252F-13	15653	O clip
14	Y-PG252F-14	15654	Diode assembly
15	Y-PG252F-15	15655	Tappet
16	Y-PG252F-16	15656	Driven gear & regulator assembly
17	Y-PG252F-17	15657	Piston pin circlip
18	Y-PG252F-18	15658	Piston pin
19	Y-PG252F-19	15659	Piston
20	Y-PG252F-20	15660	Tie rod assembly
21	Y-PG252F-21	15661	Washer
22	Y-PG252F-22	15662	Split pin
23	Y-PG252F-23	15663	Regulating sway bar
24	Y-PG252F-24	15664	Regulating arm
25	Y-PG252F-25	15665	Fine regulating spring
26	Y-PG252F-26	15666	Pulling rod
27	Y-PG252F-27	15667	Side plate weldment crankcase
28	Y-PG252F-28	15668	Oil alarm
29-1	Y-PG252F-29-1	15669	Oil ring
29-2	Y-PG252F-29-2	15670	Piston ring 1
29-3	Y-PG252F-29-3	15671	Piston ring 2
29-4	Y-PG252F-29-4	15672	Compressor ring
30	Y-PG252F-30	15673	Camshaft assembly
31	Y-PG252F-31	15674	Cushion a b
32	Y-PG252F-32	15679	Air cleaner gasket

KEY No.	PART No.	STOCK No.	DESCRIPTION
33	Y-PG252F-33	15680	Carburettor
34	Y-PG252F-34	15681	Carburettor gasket
35	Y-PG252F-35	15682	Carburettor connecting block
36	Y-PG252F-36	15683	Inlet gasket
37	Y-PG252F-37	15684	Cylinder head gasket
38	Y-PG252F-38	15685	Cylinder head assembly
39	Y-PG252F-39	15686	Exhaust pipe gasket
40	Y-PG252F-40	15687	Dome components
41	Y-PG252F-41	15688	Exhaust valve
42	Y-PG252F-42	15689	Pusher
43	Y-PG252F-43	15690	Pusher
44	Y-PG252F-44	15691	Cap
45	Y-PG252F-45	15692	Valve rocker assembly
46	Y-PG252F-46	15693	Cylinder head gasket
47	Y-PG252F-47	15695	Cylinder head assembly
48	Y-PG252F-48	15696	Spark plug
49	Y-PG252F-49	15697	Intake valve spring seat
50	Y-PG252F-50	15698	Exhaust valve spring seat
51	Y-PG252F-51	15699	Back spring
52	Y-PG252F-52	15700	Valve spring
53	Y-PG252F-53	15701	Exhaust oil block cover
54	Y-PG252F-54	15702	Flameout switch components
55	Y-PG252F-55	15703	Regulating mount
56	Y-PG252F-56	15704	Air cleaner assembly
57	Y-PG252F-57	15705	Muffler hood assembly
58-1	Y-PG252F-58-1	15706	Fuel tank
58-2	Y-PG252F-58-2	15707	Fuel cap
58-3	Y-PG252F-58-3	15708	Gasoline filter
59	Y-PG252F-59	15709	Tube clip
60	Y-PG252F-60	15710	Outlet pipe
61	Y-PG252F-61	15711	Bolt
62	Y-PG252F-62	15712	Rubber washer
63-1	Y-PG252F-63-1	15713	Panel cover
63-2	Y-PG252F-63-2	15714	Panel body
63-3	Y-PG252F-63-3	15715	Hot circuit breaker

Helpline: (023) 8049 4344. Sales Desk: (023) 8049 4333. General Enquiries: (023) 8026 6355.

DRAPER TOOLS LTD, HURSLEY ROAD, CHANDLER'S FORD, EASTLEIGH, HANTS. SO53 1YF. U.K website: drapertools.com e-mail: sales@drapertools.com



SPARE PARTS LISTING SHEET FOR
2.2kVA/2.0kW
Petrol Generator

Stock No.87059

Part No.PG252F

KEY No.	PART No.	STOCK No.	DESCRIPTION
63-4	Y-PG252F-63-4	15716	Hot circuit breaker cover
63-5	Y-PG252F-63-5	15717	Circuit breaker
63-6	Y-PG252F-63-6	15718	Circuit breaker cover
63-7	Y-PG252F-63-7	15719	Off switch
63-8	Y-PG252F-63-8	15720	Off switch cover
63-9	Y-PG252F-63-9	15721	Voltmeter cover
63-10	Y-PG252F-63-10	15722	Voltmeter
63-11	Y-PG252F-63-11	15723	Earth terminal
63-12	Y-PG252F-63-12	15724	Socket
63-13	Y-PG252F-63-13	15725	DC terminal
64	Y-PG252F-64	15728	Frame assembly
65	Y-PG252F-65	15730	End cover
66	Y-PG252F-66	15731	Alternator assembly
67	Y-PG252F-67	15732	Alternator windshield
68	Y-PG252F-68	15733	Alternator stay
69	Y-PG252F-69	15734	AVR
70	Y-PG252F-70	15735	Bolt
71	Y-PG252F-71	15736	Bolt
72	Y-PG252F-72	15737	Washer
73	Y-PG252F-73	15738	Washer
74	Y-PG252F-74	15739	Crankcase locating pin
75	Y-PG252F-75	15740	Cylinder locating pin
76	Y-PG252F-76	15741	Binding bolt
77	Y-PG252F-77	15742	Bolt
78	Y-PG252F-78	15743	Bolt

KEY No.	PART No.	STOCK No.	DESCRIPTION
79	Y-PG252F-79	15744	Bolt
80	Y-PG252F-80	15745	Bolt
81	Y-PG252F-81	15747	Bolt
82	Y-PG252F-82	15748	Bolt
83	Y-PG252F-83	15749	Bolt
84	Y-PG252F-84	15750	Bolt
85	Y-PG252F-85	15751	Bolt
86	Y-PG252F-86	15752	Bolt
87	Y-PG252F-87	15753	Nut
88	Y-PG252F-88	15755	Nut
89	Y-PG252F-89	15756	Nut
90	Y-PG252F-90	15757	Nut
91	Y-PG252F-91	15759	Bolt
92	Y-PG252F-92	15760	Washer
93	Y-PG252F-93	15761	Nut
94	Y-PG252F-94	15763	Bolt
95	Y-PG252F-95	15764	Washer
96	Y-PG252F-96	15765	Washer
97	Y-PG252F-97	15766	Intake valve
98	Y-PG252F-98	15767	Washer
99	Y-PG252F-99	15768	Bolt
100	Y-PG252F-100	15771	Bolt
101	Y-PG252F-101	15772	Seal ring
102	Y-PG252F-102	15773	Seal ring

Helpline: (023) 8049 4344. Sales Desk: (023) 8049 4333. General Enquiries: (023) 8026 6355.

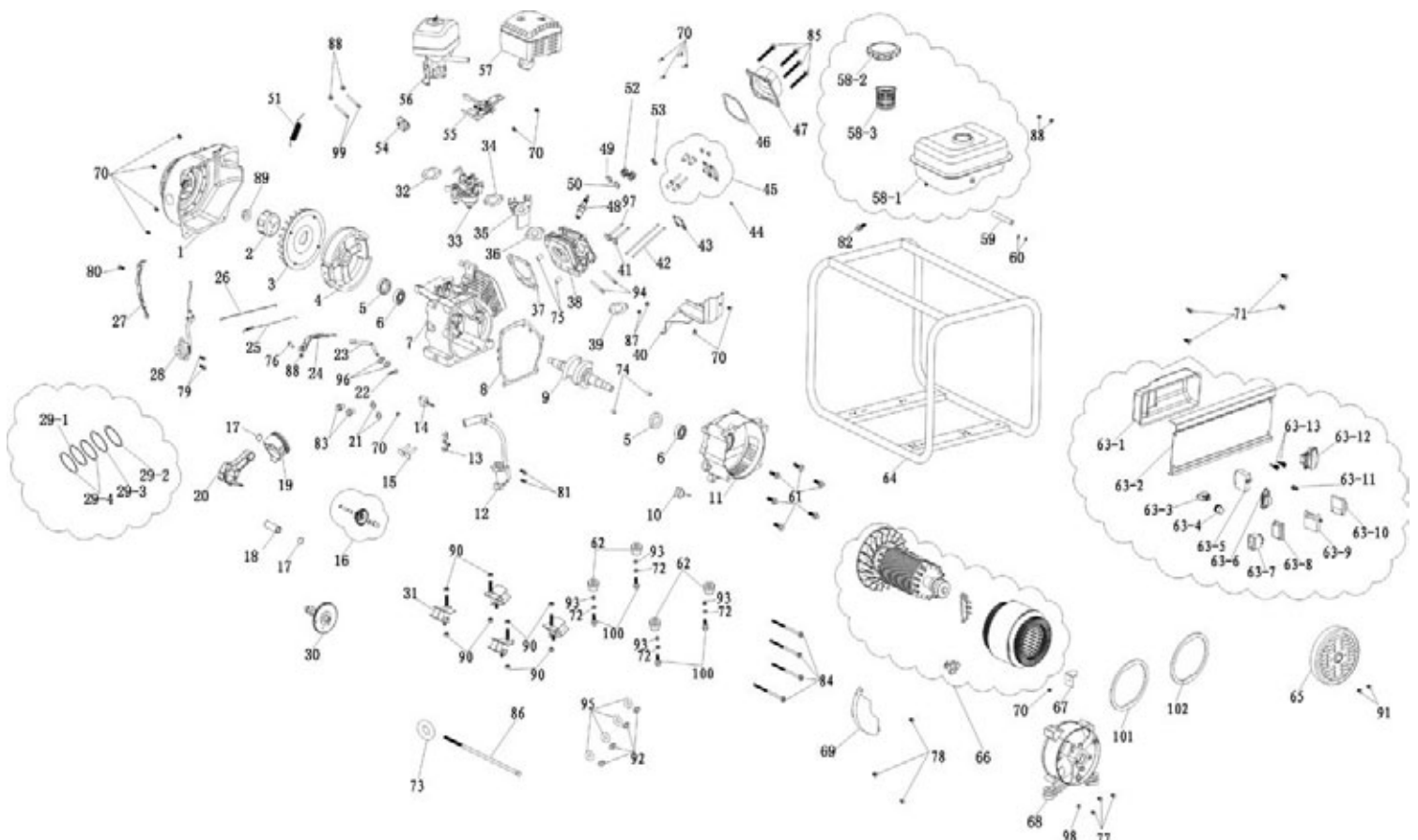
DRAPER TOOLS LTD, HURSLEY ROAD, CHANDLER'S FORD, EASTLEIGH, HANTS. SO53 1YF. U.K website: drapertools.com e-mail: sales@drapertools.com



SPARE PARTS DRAWING SHEET FOR 2.2kVA/2.0kW Petrol Generator

Stock No.87059

Part No.PG252F



Helpline: (023) 8049 4344. Sales Desk: (023) 8049 4333. General Enquiries: (023) 8026 6355.

DRAPER TOOLS LTD, HURSLEY ROAD, CHANDLER'S FORD, EASTLEIGH, HANTS. SO53 1YF. U.K website: drapertools.com e-mail: sales@drapertools.com