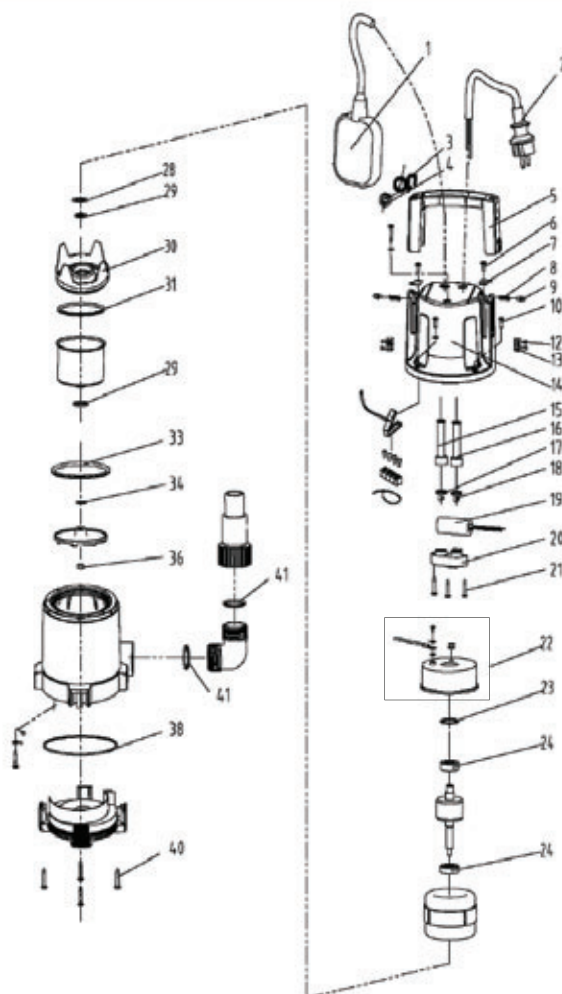


# 110V SUBMERSIBLE WATER PUMP

WITH FLOAT SWITCH

98913 - SWP105A SPARE PARTS LISTING



KEY No.	PART No.	STOCK No.	DESCRIPTION
1	Y-SWP220-01	92148	FLOAT SWITCH
2	Y-SWP220-02	92149	CABLE
3	Y-SWP220-03	92150	WIRE CLIP
4	Y-SWP220-04	92152	CABLE SHEATH
5	Y-SWP220-05	92153	PUMP HANDLE
6	Y-SWP220-06	92154	CROSS RECESSED TAPPING SCREW
7	Y-SWP220-07	92155	GASKET
8	Y-SWP220-08	92156	4.5 SPRING
9	Y-SWP220-09	92158	ROUND PIN
10	Y-SWP220-10	92160	SCREW ASSEMBLY
12	Y-SWP220-12	92161	TAPPING SCREW
13	Y-SWP220-13	92165	LOCATED BLOCK
14	Y-SWP220-14	92166	REAR PUMP HOUSING
15	Y-SWP220-15	92170	CABLE SHEATH
16	Y-SWP220-16	92172	CABLE SHEATH
17	Y-SWP220-17	92173	CABLE RETAINER
18	Y-SWP220-18	92174	CABLE RETAINER

KEY No.	PART No.	STOCK No.	DESCRIPTION
19	Y-SWP105A-19	70839	15UF CAPACITOR
20	Y-SWP220-20	92177	CABLE STAY
21	Y-SWP220-21	92179	TAPPING SCREW
22	Y-SWP220-22	92180	MOTOR REAR COVER COMPLETE
23	Y-SWP220-23	92181	CORRUGATED WASHER
24	Y-SWP220-24	92182	BEARING
28	Y-SWP220-28	92196	GASKET
29	Y-SWP220-29	92198	OIL SEAL
30	Y-SWP220-27	92189	FRONT LINER
31	Y-SWP220-31	92202	O-RING
33	Y-SWP220-33	92245	O-RING
34	Y-SWP220-34	92206	ADJUSTING WASHER
36	Y-SWP220-36	92247	NUT
38	Y-SWP220-38	92252	O-RING
40	Y-SWP220-50	92267	TAPPING SCREW
41	Y-SWP220-51	92271	O-RING