

Thank you for purchasing this stainless steel cabinet. Please follow the fixing and care instructions to ensure your cabinet is fitted safely and retains its high quality finish. **Please retain this leaflet for future reference.**

This instruction leaflet applies to the following products:

WC450505 – Dart Square Door Mirror Stainless Steel Cabinet

Fixing Pack Contents

- (a) Mounting Screws
- (b) Wall Plugs



Fixing pack contents will vary depending on the individual design of the cabinet.

Tools Required

Drill; 6.5mm masonry drill bit (6.5mm ceramic drill bit optional); Cross-head screwdriver; Pencil; Spirit level

KEEP DIY TOOLS OUT OF THE REACH OF CHILDREN

Home Safety Advice

It is recommended that two people fit the cabinet to ensure that it is fitted safely.

Always take care when using an electric drill, particularly in the bathroom. Always check for hidden cables and pipe work before drilling and take extreme care if there is any water in the working area.

It is advisable to use a residual current circuit breaker (RCCB).

Always wear suitable eye protection when drilling.

If the product is to be fitted on a ceramic tiled wall, a ceramic drill bit should be used. Always ensure that the drill hole passes through the central tiled area rather than through the grouted area. To prevent unnecessary damage to the tile, mask the area around the hole with tape before drilling.

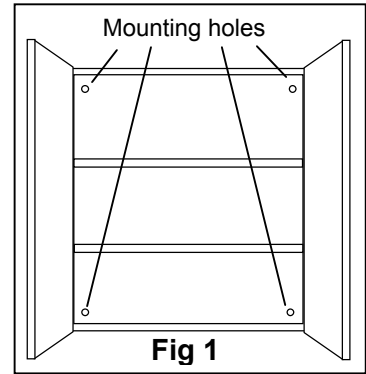
Do not strike the product with hard or sharp objects. Do not place hot objects against the glass surfaces.

Do not overload the cabinet. Maximum safe working load is 10kg evenly distributed if mounted on to a solid wall. If mounted on to a cavity wall reduce the load to 5kg evenly distributed.

Note: The wall plugs supplied are for use on solid walls only. For cavity walls or plasterboard use specialist fixings that are available from all good DIY stores.

Fixing Instructions

1. Hold the cabinet against the wall in its desired location. Check that the cabinet is straight and level using a spirit level. Open the door(s) and mark the wall through the holes in the back of the cabinet with a pencil (see Fig 1, shown for reference).
2. Using a 6.5mm masonry drill, drill the holes in the marked positions to a depth of 35mm. If drilling through tiles, please pre-drill using a ceramic drill bit. Insert the wall plugs to the surface of the wall. If fitting to a tiled surface, the wall plugs should be inserted below the surface of the tile to avoid cracking.



3. Hold the cabinet against the wall and align the holes in the back of the cabinet with the wall plugs. Insert the mounting screws through the holes in the back of the cabinet and screw into the wall plugs.

Product Care Advice

To retain the best quality finish, clean product regularly with a soft damp cloth. Do not use abrasive or chemical cleaners, as these will damage the product.

Please retain this leaflet for future reference.

Croydex Ltd, Central Way, Andover, Hants, SP105AW, UK
Tel: +44 (0) 1264 365881 ~ Fax: +44 (0) 1264 356437
website: www.croydex.co.uk ~ Email: info@croydex.co.uk

Check out our full range of Bathroom Furniture

Wide Range of Colours

White Bathroom Furniture / White Gloss Bathroom Furniture

Grey Bathroom Furniture

Black Bathroom Furniture

Walnut Bathroom Furniture

Wide Range of Styles

Bathroom Vanity Units

Bathroom Cabinets

Basin & Toilet Furniture Units

Traditional Bathroom Furniture

Bathroom Drawers

Tall Bathroom Units

Radiator Covers / Radiator Cabinets

plumbworld
Big brands, small prices.