

## Grab 'N' Grip - Grab Bars

Please follow these fixing and care instructions to ensure that your product is fitted safely and that it retains its high quality finish. This instruction leaflet applies to the following:

AP530541 - Grab 'N' Grip 380mm Straight Grab Bar  
AP530641 - Grab 'N' Grip 485mm Straight Grab Bar  
AP530741 - Grab 'N' Grip 680mm Straight Grab Bar  
AP530841 - Grab 'N' Grip 890mm Straight Grab Bar  
AP530941 - Grab 'N' Grip Angled Grab Bar  
AP531041 - Grab 'N' Grip L-shaped Grab Bar

PLEASE ENSURE THAT SUITABLE FIXINGS ARE PURCHASED THAT ARE COMPATIBLE WITH WALL CONSTRUCTION MATERIALS. WALL FIXINGS ARE NOT PROVIDED WITH THESE GRAB BARS!

### Tools required - not supplied

Pencil, Drill, Masonry Drill\*, Ceramic Drill Bit\*, Spirit Level, Cross head Screwdriver

\*Drill bits must be suited to the chosen fixing method.

KEEP DIY TOOLS OUT OF THE REACH OF CHILDREN

### Home Safety Advice

- It is recommended that two people fit this product to ensure that it is fitted safely.
- Always take care when using power tools, particularly in the bathroom.
- Always check for hidden cables and pipework before drilling and take extreme care if there is any water in the working area.
- It is advisable to use a residual current circuit breaker (RCCB)
- Always wear suitable eye protection when drilling.
- If the product is to be fitted on a ceramic tiled wall, a ceramic drill bit should be used.
- Always ensure that the drill hole passes through the central tiled area rather than through the grouted area. To prevent damage to the tile, mask the area around the hole with tape before drilling.
- Do not strike the product with hard or sharp objects.

### Product Location

- The grab bars are only as strong as the wall to which they are fixed and the fixings that are used.
- For different wall types you will need to ensure that you are using the correct type of fixing for the material of the wall.
- The addition of backboards on the outside of the wall or appropriate strengthening of internal structures may be required to provide adequate wall strength.

NOTE: If the wall is made of lightweight thermal blocks, aerated hollow brickwork or prefabricated partitions even the most appropriate fixings may not be able to withstand the loads which can be suddenly applied to grab bars.

## Fitting Instructions

1. Place the grab bar in the desired position on the wall surface and using the holes centres of each wall bracket as a template, mark the screw fixing positions on the wall surface. (FIG.1)

Note: Angled and L-shaped grab bars should be installed with one section of the bar horizontal. This ensures that the forearm can be used for extra leverage during use. (FIG.2)

2. Drill the holes to a depth suitable for your fixings in the marked positions using a masonry drill. If the product is to be fitted onto a ceramic tiles wall, a ceramic drill bit should be used.

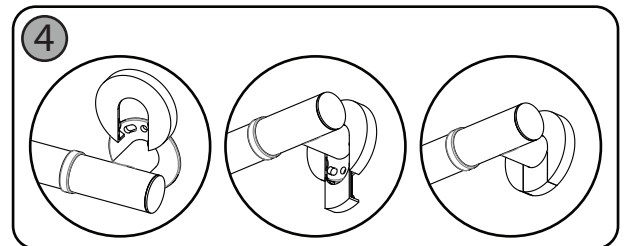
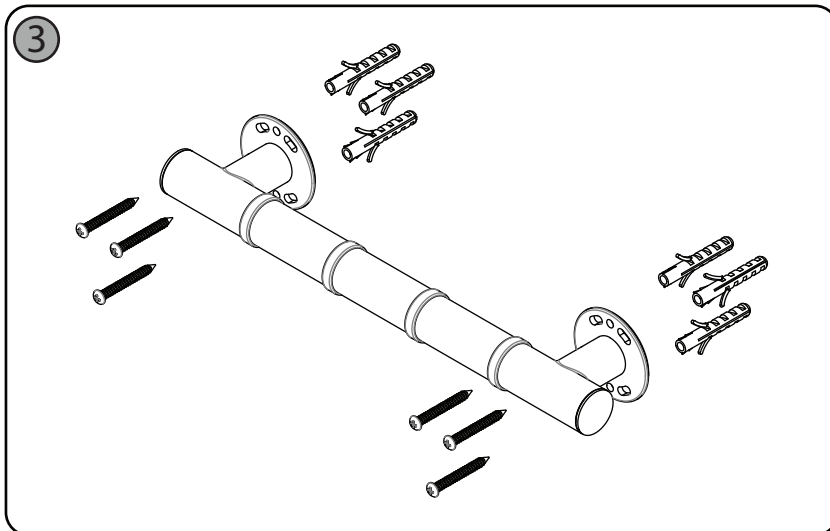
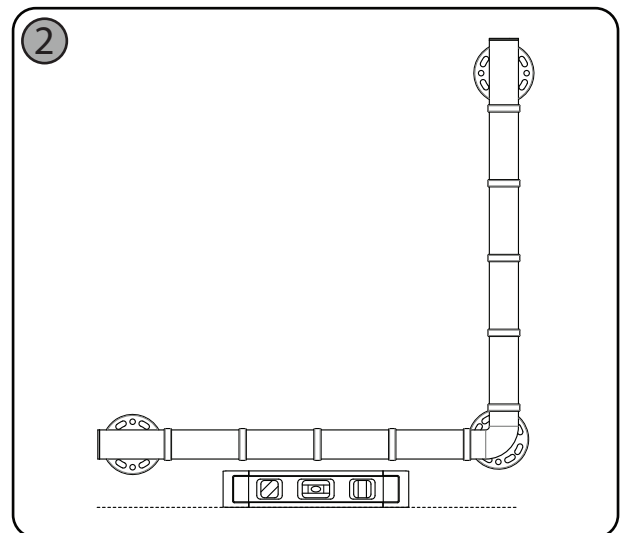
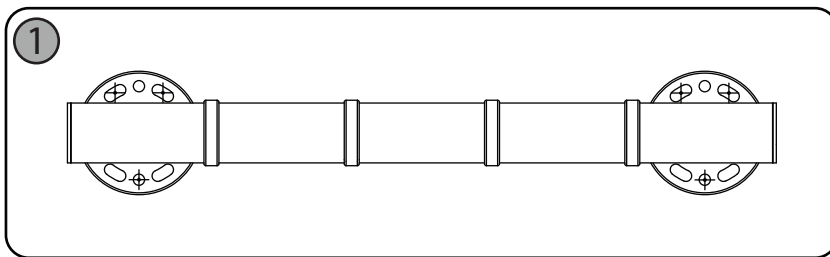
3. Insert the wall plugs flush to the surface of the wall. If fitting to a tiled surface, the wall plugs should be inserted below the surface of the tile to avoid cracking.

4. Insert the wall screws through the holes of the wall brackets and screw securely to the wall. (FIG.3)

5. Clip the large bracket covers over the protruding grab bar pillar and clip onto the wall bracket. (FIG.4)

6. Slide the small bracket cover into position by aligning the corresponding bosses and channels. Clip the small bracket cover onto the large bracket cover to complete the installation. (FIG.4)

7. Please check the grab bar is securely fitted to the wall before its first use.



## Additional Information

This product must only be fitted to solid brick, concrete block wall or similarly strong materials offering appropriate support for the maximum safe working load.

Maximum safe working load for the Grab N Grip range is 100kg when fitted to a suitable surface.

## Product Care Advice

To retain the best quality finish, clean product regularly with a soft damp cloth.

Do not use abrasive or chemical cleaners, at these will damage the product.

# Check out our full range of Bathroom Accessories

Bathroom Accessory Sets

Heated Towel Rails

Bathroom Extractor Fans

Bathroom Lighting

Shower Seats

Grab Rails

Shower Curtains

Toilet Brushes

Bathroom Cleaning Products

## Wall Mounted Bathroom Accessories

Robe Hooks

Bathroom Tumblers

Toilet Roll Holders

Soap Dishes

Towel Rings

Shower Caddies

## Bathroom Mirrors

Standard Bathroom Mirrors

LED Bathroom Mirrors

Shaving Mirrors

**plumbworld**  
**Big brands, small prices.**