

Hook Over Door Towel Rack

Thank you for purchasing this Croydex product. Please follow the fixing and care instructions to ensure your Hook Over Door Towel Rack is fitted safely and retains its high quality finish. Please retain this leaflet for future reference.

This installation guide applies to the following product:

QM261141 Hook Over Door Towel Rack with Rust Free Chrome

Home Safety Advice

- Do not strike the product with hard or sharp objects.
- Do not use the product as a grab rail.
- The adhesive pad (optional) is suitable for use on most flat, finished surfaces, such as gloss paint, tiles, polished stone, laminates and mildly textured surfaces.
- The adhesive pad (optional) is not suitable for use on unfinished material, such as brick, blockwork and loose, flaky surfaces.
- Do not use the adhesive pad (optional) on decorative wall paper finishes as these will be damaged on removal.
- Do not overload the towel rack - 4 dry towels maximum.
- Do not position pad over uneven grout lines.

Product Care

- To retain the best quality finish, clean product regularly with a soft cloth and mild detergents.
- Do not use abrasive or chemical cleaners as these may damage the product.
- Spray cleaning liquids onto the cloth and not directly onto the product.

Fitting instruction - Hook over door

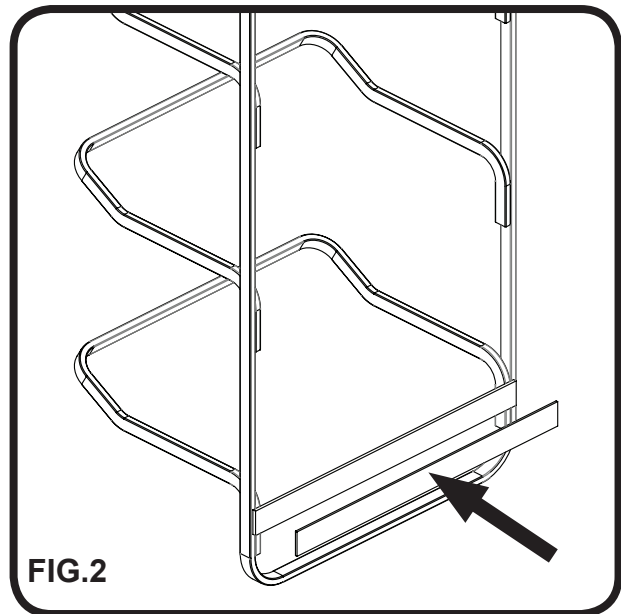
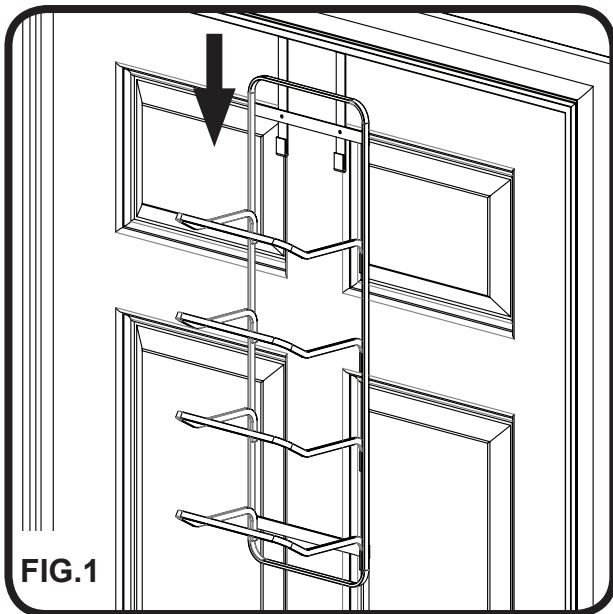
1. Determine desired location for the towel rack on the door.
2. Hang the two hooks supplied onto the door. **See Fig.1** (Note: For a more permanent fixing the over door hooks can be screwed directly into the top of the door using countersink wood screws. Countersink wood screws are NOT provided.)
3. Hang the towel rack onto the hooks to complete the assembly. (In order to provide a more secure fixing and to prevent the towel rack levering away from the door an optional adhesive pad can be fitted to the base of the towel rack - **See Fig.2**)

Fitting instruction - Screw to wall

1. Determine desired location for the towel rack on the wall surface.
2. With a pencil mark through the holes in the frame, ensuring the towel rack is level.
3. Using suitable wall fixings (NOT SUPPLIED) that are compatible with your wall surface, drill and secure the towel rack into position to complete the assembly.

Please refer to the following safety advice if securing this product directly onto a wall surface.

1. *Always check for hidden cables and pipework before drilling and take extreme care if there is any water in the working area.*
2. *It is advisable to use a residual current circuit breaker (RCCB)*
3. *Always wear suitable eye protection when drilling.*



5-year Anti-corrosion Guarantee

This product is guaranteed against corrosion for 5 years. Please retain a copy of your receipt which must be presented should a guarantee claim be necessary.

This guarantee covers corrosion under normal usage, when the product is installed, used and cleaned in accordance with these instructions. This guarantee does not cover corrosion resulting from damage to the protective coating due to the use of abrasive sponges or pads, abrasive cleaners, strong chemical cleaners or metal polish. In the unlikely event that corrosion should occur during the guarantee period we will replace the product.

For details of the other items in the Croydex range please visit our website: www.croydex.com

Croydex Limited, Central Way, Andover, Hampshire, SP10 5AW, UK
Tel: +44 (0) 1264 365881 Fax: +44 (0) 1264 356437
E-mail: info@croydex.co.uk