

Please follow these fixing and care instructions to ensure your Eldon toilet seat is fitted safely. This instruction leaflet applies to the following products.

Eldon Toilet Seat - WL533622H

Fitting Pack Contents

- (A) Hinge Cover x 2
- (B) Hinge Plate x 2
- (C) Metal Washer x 2
- (D) Gasket x 2
- (E) Fixing Screws x 2
- (F) Rubber Plug x 2
- (G) Washer x 2
- (H) Hexagonal Nut x 2
- (I) Key x 1

Tools Required

Cross Head Screw Driver

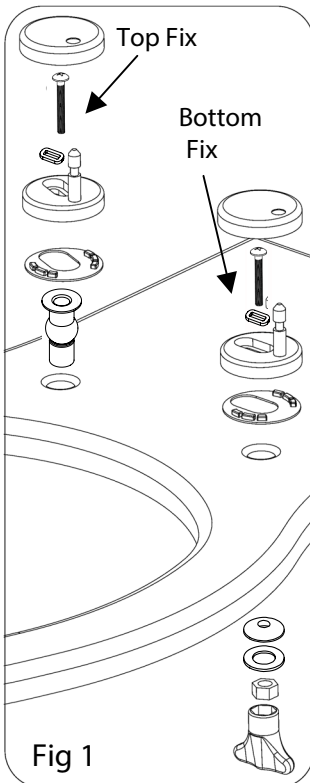
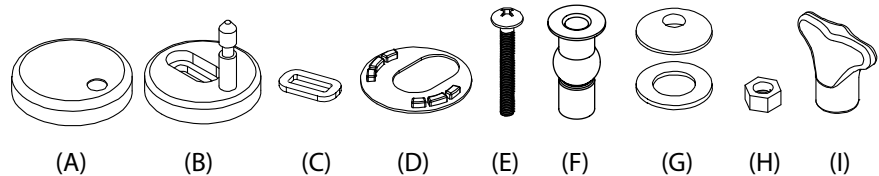


Fig 1

Top Fix Installation

1. Carefully remove the existing toilet seat and clean the top surface of the WC pan.
2. Insert the Rubber Plugs into the holes in the WC pan (See fig.1.)
3. Assemble the seat bracket components as shown in Fig 1 and lightly screw the hinge plates onto the WC.
4. Place the toilet seat accurately onto the WC pan and insert the seat onto the hinge plates until you hear a click. Align the toilet seat against the pan until you are happy with its position.
5. Take the seat off using the button shown in Fig 2 (you will have to fully release the button before removing the seat completely) ensuring that the position of the seat brackets is not altered.
6. Tighten the screws fully and place on the Hinge Covers.
7. Place the toilet seat back onto the hinge brackets and check for alignment. Re-alignment may be required if the seat has moved during installation

Bottom Fix Installation

1. Carefully remove the existing toilet seat and clean the top surface of the WC pan.
2. Assemble the seat bracket components as shown in Fig 1 and lightly screw the hinge plates onto the WC.
3. Place the toilet seat accurately onto the WC pan and insert the seat onto the hinge plates until you hear a click. Align the toilet seat against the pan until you are happy with its position.
4. Tighten the locking components fully.
5. Take the seat off using the button shown in Fig 2 (you will have to fully release the button before removing the seat completely) and place on the hinge covers.
6. Place the toilet seat back onto the hinge brackets and check for alignment. Re-alignment may be required if the seat has moved during installation



Fig 2

Product Care and Seat Removal

Remove the seat by depressing the push button on the hinge and lift the seat from the hinge plates. (See fig 2.) (You will need to fully release the button before removing the seat completely)
Clean with warm soapy water. Do not use abrasive or solvent-based cleaners. Proprietary liquid or spray bathroom cleaners may be used.

PLEASE KEEP THIS INSTRUCTION LEAFLET FOR FUTURE REFERENCE

Check out our full range of Bathroom Accessories

Bathroom Accessory Sets

Heated Towel Rails

Bathroom Extractor Fans

Bathroom Lighting

Shower Seats

Grab Rails

Shower Curtains

Toilet Brushes

Bathroom Cleaning Products

Wall Mounted Bathroom Accessories

Robe Hooks

Bathroom Tumblers

Toilet Roll Holders

Soap Dishes

Towel Rings

Shower Caddies

Bathroom Mirrors

Standard Bathroom Mirrors

LED Bathroom Mirrors

Shaving Mirrors

plumbworld
Big brands, small prices.