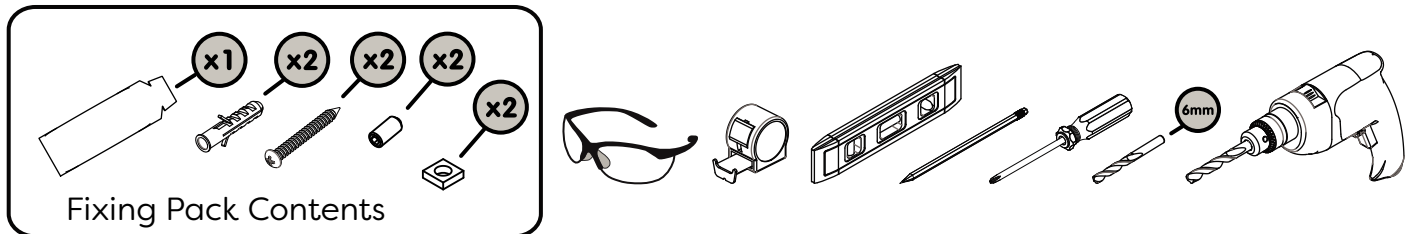


Flexi-Fix Riser Rail

Please follow these fixing and care instructions to ensure that your product is fitted safely and that it retains its high quality finish. Please retain this leaflet for future reference.

Fixing Pack Contents / Tools Required



KEEP DIY TOOLS OUT OF THE REACH OF CHILDREN

Home Safety Advice

It is recommended that two people fit this product to ensure that it is fitted safely.

Always take care when using power tools, particularly in the bathroom.

Always check for hidden cables and pipework before drilling and take extreme care if there is any water in the working area.

It is advisable to use a residual current circuit breaker (RCCB)

Always wear suitable eye protection when drilling.

If the product is to be fitted on a ceramic tiled wall, a ceramic drill bit should be used.

Always ensure that the drill hole passes through the central tiled area rather than through the grouted area. To prevent damage to the tile, mask the area around the hole with tape before drilling.

Do not strike the product with hard or sharp objects.

DO NOT USE AS A GRAB RAIL - Suitable for use with standard hoses and shower handsets.

Maximum load 5Kg.



ALWAYS CHECK THE PACKAGING FOR FIXINGS AND PARTS BEFORE THROWING AWAY AND RECYCLING.

PLEASE READ THROUGH AND FULLY UNDERSTAND THE INSTRUCTION LEAFLET BEFORE STARTING THE INSTALLATION OF THIS PRODUCT.

ENSURE YOU HAVE ALL THE FIXINGS AND PARTS BEFORE ATTEMPTING TO ASSEMBLE OR FIT THIS PRODUCT!

Product Care

To retain the best quality finish, clean product regularly with a soft damp cloth.

Do not use abrasive or chemical cleaners, as these will damage the product.

Important Adhesive Information

- The adhesive is suitable for use on most flat finished surfaces, such as gloss paint, tiles, polished stone, laminates and textured surfaces.

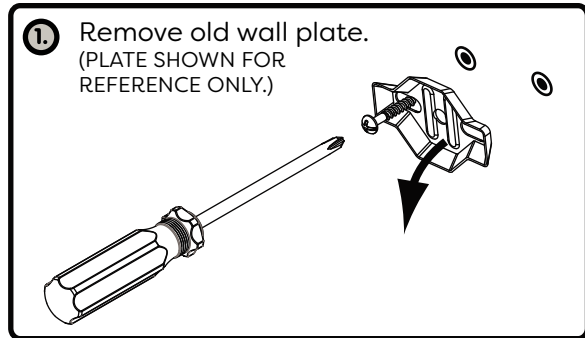
- Do not use on decorative wall paper finishes.

- Not suitable for unfinished materials such as brick, blockwork, emulsion paint and loose, flaky surfaces.

- Redecoration may be required on some painted surfaces after removal.

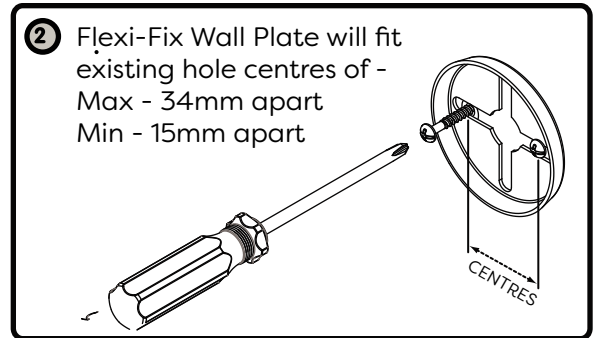
- 1 Remove your old riser rail and make sure you clear the existing screw holes of any debris.
- 2 Fix your Flexi-Fix brackets to the wall using one of the three methods below.

A WHEN USING EXISTING HOLES

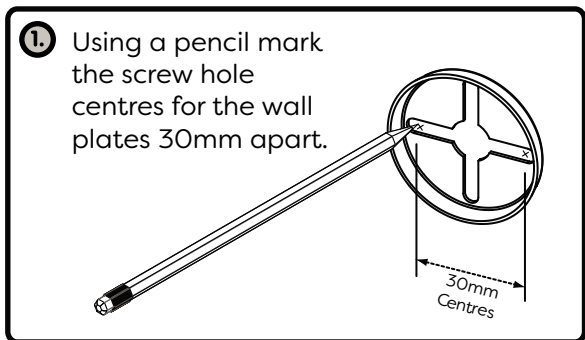


CAUTION!
Ensure holes in the wall are suitable for re-use.

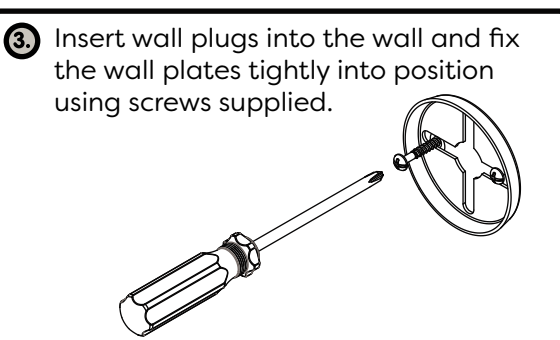
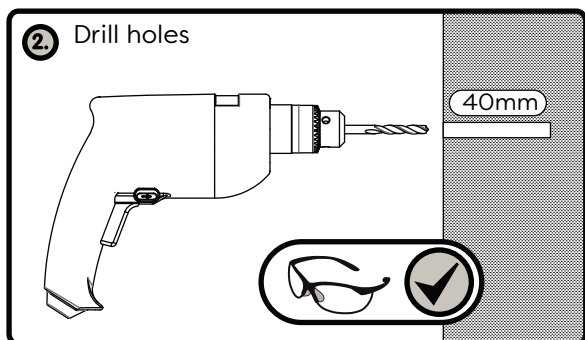
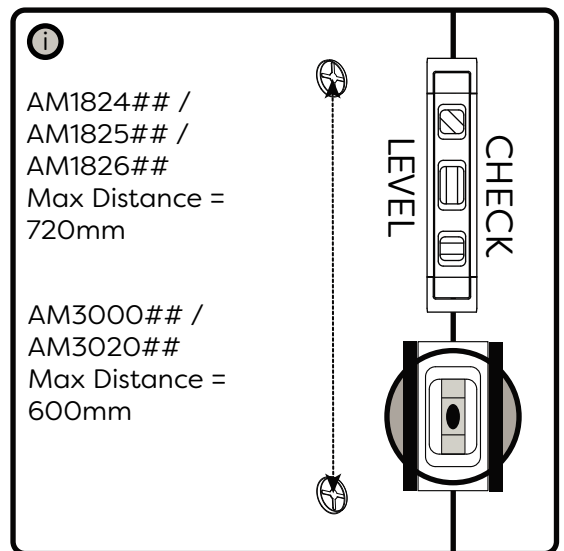
It may be necessary to drill new holes.



B WHEN DRILLING NEW HOLES



TIP!
To ensure the Riser Rail is vertical, mark the wall using one wall plate and using a spirit level, mark the second plate whilst being careful not to exceed the recommended centre distances.

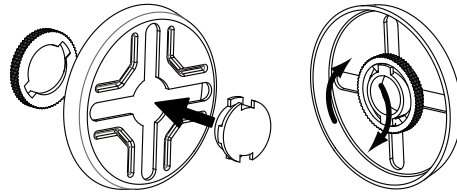


NOTE
Wall plugs supplied are suitable for a solid wall fixing only.
For cavity walls or plasterboard use specialist fixings available from all good DIY stores.

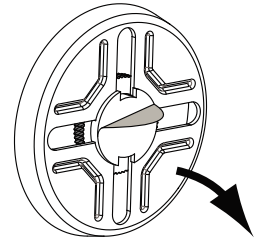
C WHEN USING ADHESIVE FIXING METHOD (Please refer to Important Adhesive Information at the front of this leaflet before proceeding)

Before starting ensure all surfaces are clean and free from dirt and soap residue, particularly if adhering to tiled walls.

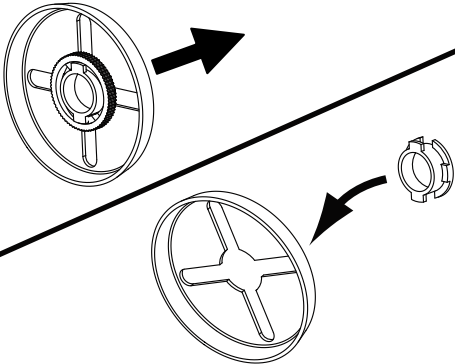
1. Assemble wall plate, alignment guide and locking nut as shown.



2. Remove backing from adhesive pad on alignment guide.



3. Place assembled wall plate in desired location and press firmly.



4. Undo locking nut and remove wall plate leaving the alignment guide stuck to wall

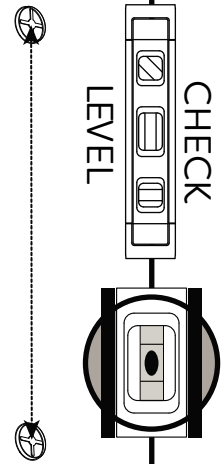
TIP!

To ensure the Riser Rail is vertical, mark the wall using one wall plate and using a spirit level, mark the second plate whilst being careful not to exceed the recommended centre distances.

i

AM1824## /
AM1825## /
AM1826##
Max Distance =
720mm

AM3000## /
AM3020##
Max Distance =
600mm

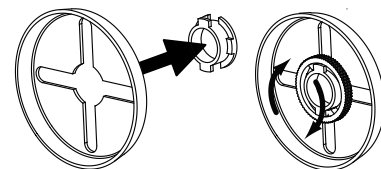


5. Cut the end of the sachet and apply a generous amount of adhesive to the back of the wall plate as shown. (Each sachet has sufficient adhesive for two wall plates).

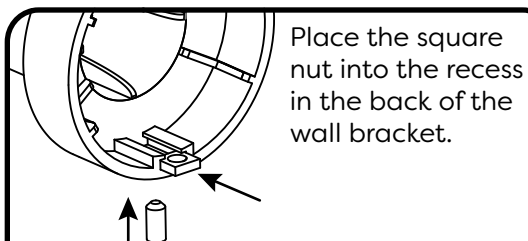


Sufficient adhesive must be applied to give a uniform thickness of approximately 1.5mm when the wall plate is positioned against the wall.

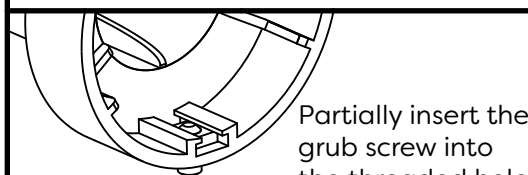
6. Carefully place the wall plate over the alignment guide and allow the rotation of the locking nut to secure the wall plate in position. **DO NOT PRESS IN POSITION!** Leave the adhesive to set for **24 Hours**



3



Place the square nut into the recess in the back of the wall bracket.



Partially insert the grub screw into the threaded hole in the square nut.

Once the Flexi-Fix wall plates are secured to the wall, place the Riser Rail brackets over each of the Flexi-Fix wall plates and secure by tightening the grub screw with the hex key provided.

DO NOT OVERTIGHTEN.

Step 3

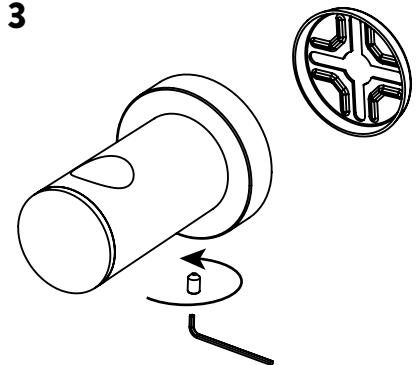
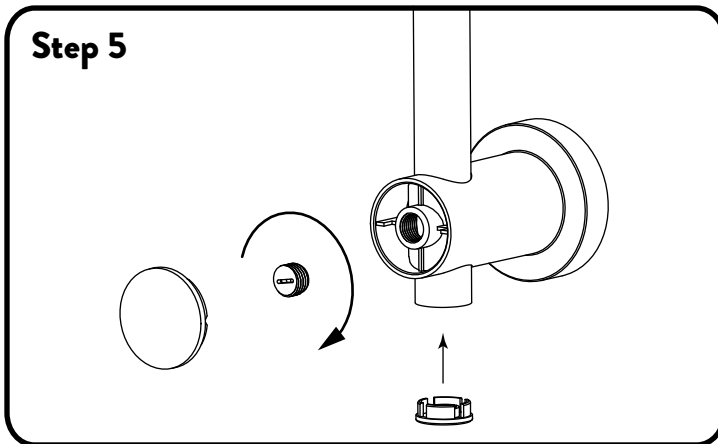


Image shown for reference only - grub screw previously fitted into wall bracket.

4 With the wall brackets secured onto the Flexi-Fix wall plates, insert the riser rail, together with all accessories in between the wall brackets.

5 Remove the bracket end caps and secure the riser rail in position by tightening the grub screws using a flat bladed screwdriver. Replace the wall bracket caps.



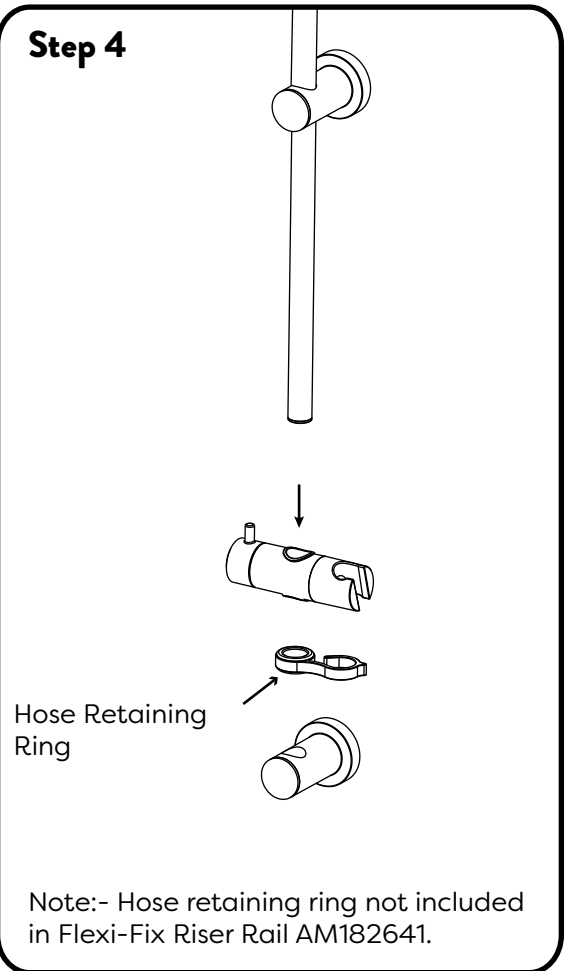
6 You can adjust the height and rotation to all of the accessories which are used with the Flexi Fix Riser Rail as demonstrated in the illustration.

CONTACT DETAILS

UK: Croydex, Central Way, Andover,
Hampshire, SP10 5AW, UK
EU: MIL, Unit 8 Purcellsinch Ind Est,
Dublin Road, Kilkenny, R95 HP71,
Ireland

Tel: +44 (0)1264 365881
Email: info@croydex.co.uk
www.croydex.co.uk

Step 4



Step 6

