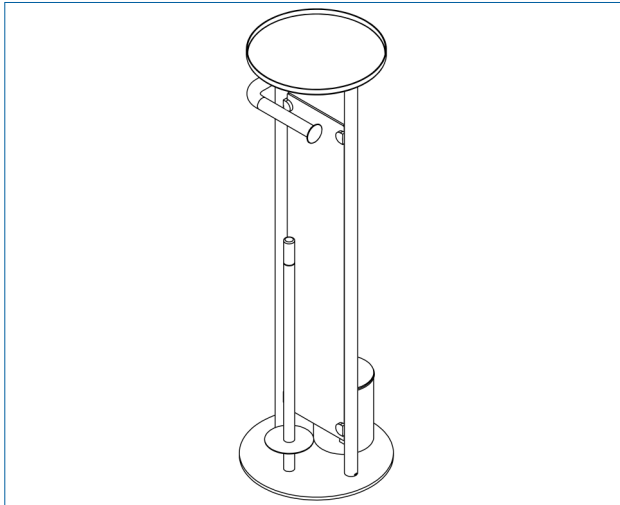


PA8100##

BATHROOM BUTLER MATT BLACK & CHROME



CONTACT DETAILS

UK: Croydex, Central Way, Andover, Hampshire,
SP10 5AW, UK

EU: MIL, Unit 8 Purcellsinch Ind Est, Dublin Road,
Kilkenny, R95 HP71, Ireland

Tel: +44 (0)1264 365881

Email: info@croydex.co.uk

www.croydex.com



ALWAYS CHECK THE PACKAGING FOR FIXINGS AND PARTS BEFORE THROWING AWAY AND RECYCLING.

ENSURE YOU HAVE ALL FIXINGS AND PARTS BEFORE ATTEMPTING TO ASSEMBLE OR FIT THIS PRODUCT.

ALL PRODUCT DIMENSIONS DETAILED IN THIS INSTALLATION AND MAINTENANCE MANUAL ARE APPROXIMATE

ALL ILLUSTRATIONS OF THE PRODUCT ARE FOR REFERENCE ONLY. COMPONENTS SUPPLIED WITH INDIVIDUAL PRODUCTS MAY DIFFER

- Please follow the instructions provided to ensure that your product is assembled and fitted safely, and retains its high quality finish.
- Before attempting to fit or use this product, ensure that it can be properly installed in the desired location.

PLEASE RETAIN THIS MANUAL FOR FUTURE REFERENCE

SAFETY & PRODUCT CARE

- 1. DO NOT** use abrasive or chemical cleaners as these may damage the product.
- 2. ALWAYS** clean the product regularly with a soft damp cloth to retain the best quality finish.

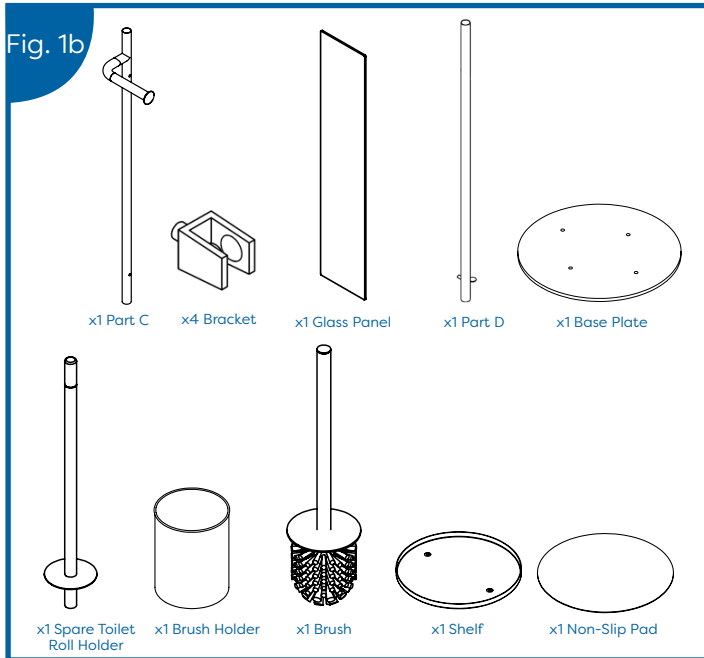
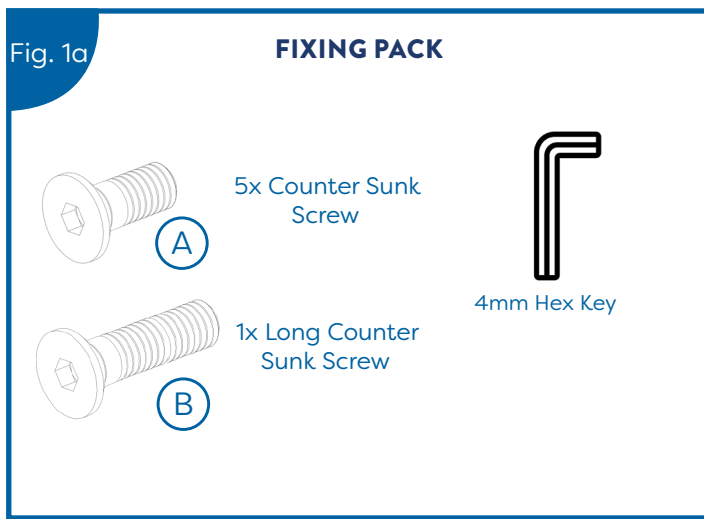
TOOLS REQUIRED



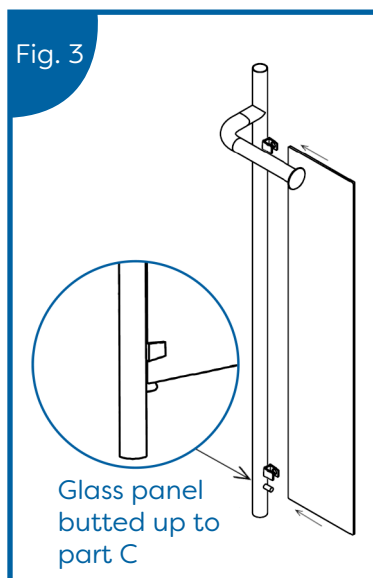
Cross Head
Screw Driver

INSTALLATION

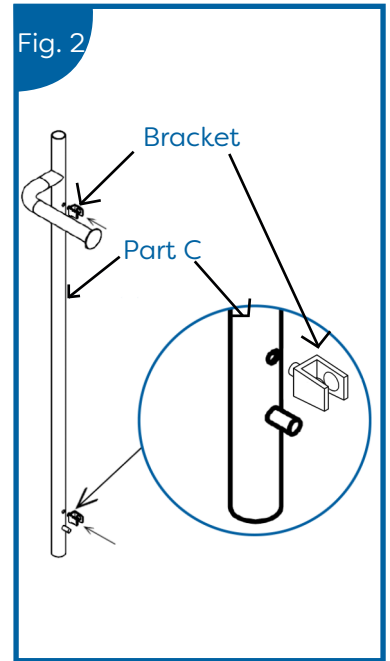
1. Check all components are in the packaging. (See Fig. 1a and 1b)



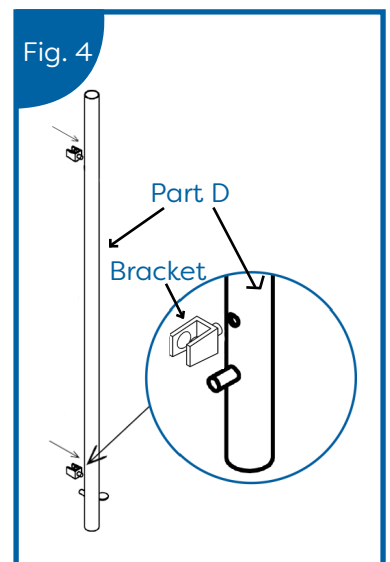
3. Slot the glass panel into both brackets. Ensure the glass panel is butted up to the bottom guide. Secure together by tightening the grub screws using a cross head screw driver. (See Fig. 3) **DO NOT OVERTIGHTEN.**



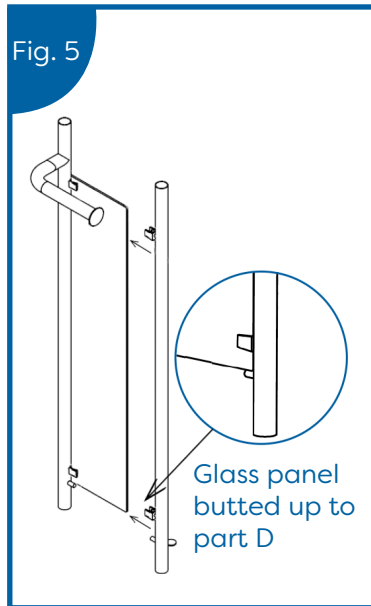
2. Insert one bracket into each of the fixing holes in part C. (See Fig. 2) **Note: Ensure the grub screw heads on the brackets are facing the opposite side to the toilet roll holder.**



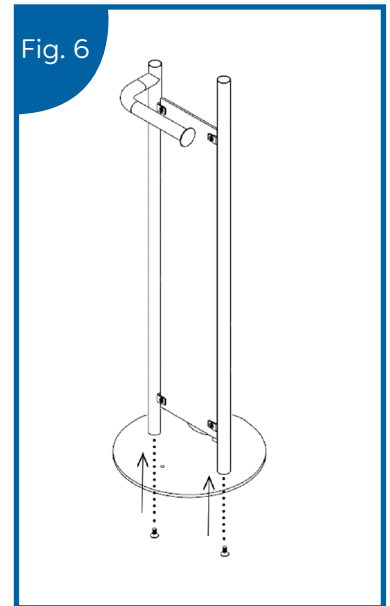
4. Insert one bracket into each of the fixing holes in part D. (See Fig. 4)



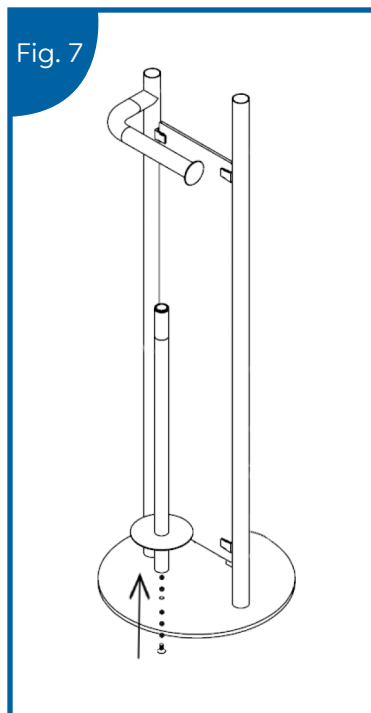
- 5.** Slot the glass panel into both brackets. Ensure the glass panel is butted up to the bottom guide. Secure together by tightening the grub screw on the two brackets using the cross head screw driver. **(See Fig. 5) Note: Ensure the grub screw head on the brackets are facing the opposite side to the toilet roll holder. DO NOT OVERTIGHTEN.**



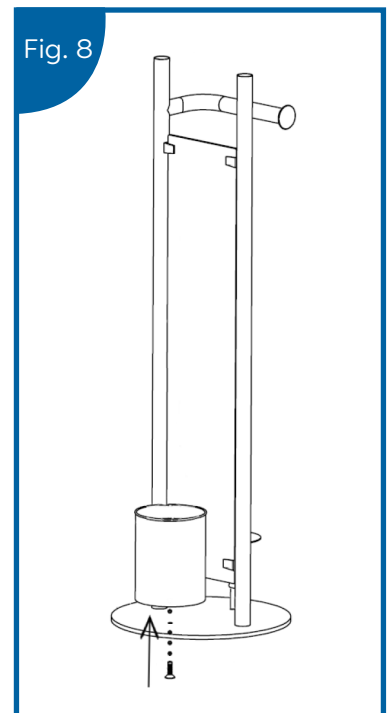
- 6.** Line up the fixing holes on part C and D with the two wider sets of holes in the base plate, ensuring the toilet roll holder on part C is orientated correctly. Insert 2x counter sunk screw (A) then tighten with the 4mm Hex Key to secure in place. **(See fig.6) Note: Ensure that the rubber feet are facing downwards. DO NOT OVERTIGHTEN.**



- 7.** Line up the spare toilet roll holder fixing hole with the hole located in the base plate and insert 1x counter sunk screw (A) then tighten with the 4mm Hex Key to secure in place. **(See fig.7) Note: Ensure both toilet roll holders are on the same side. DO NOT OVERTIGHTEN.**



- 8.** Line up the fixing hole on the brush holder with the remaining hole on the base plate. Insert 1x long counter sunk screw (B) then tighten with the 4mm Hex Key to secure in place. **(See fig.8) DO NOT OVERTIGHTEN.**



9. Slot the toilet brush into the toilet brush holder. (See fig.9)

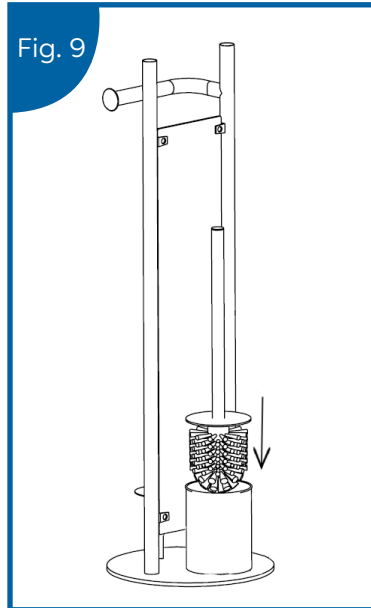


Fig. 9

10. Line up the fixing holes on the shelf with the fixing holes on part C and D, ensuring the rim of the shelf is facing upwards. Insert 2x counter sunk screw (A) then tighten with the 4mm Hex Key to secure in place. (See fig.8) **DO NOT OVERTIGHTEN.**

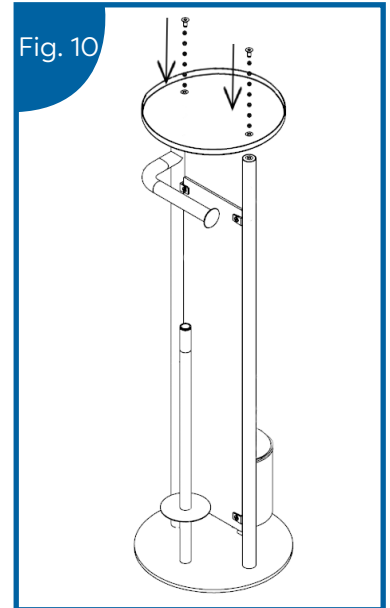


Fig. 10

11. Clean the top surface of the shelf ensuring it is completely dry and free of any dust or debris. Peel the protective backing off the non-slip pad. Ensure the adhesive pad is facing downwards then line it up with the shelf. Apply even pressure and ensure the adhesive pad has made full contact with the top surface of the shelf. (See fig.11)

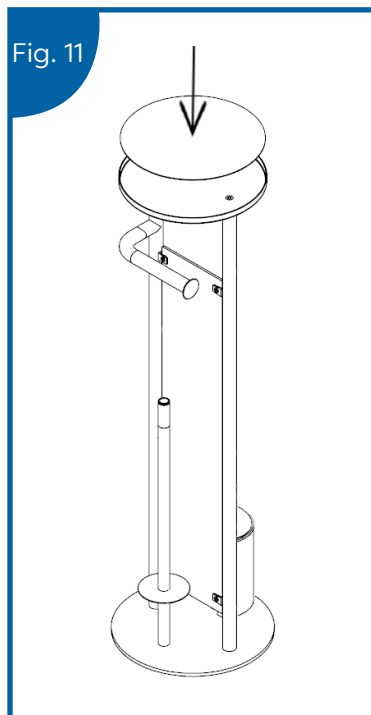


Fig. 11

12. The Bathroom Butler is fully assembled and ready to be used. (See fig.12) **Note: Ensure you have read the safety and product care section before use.**

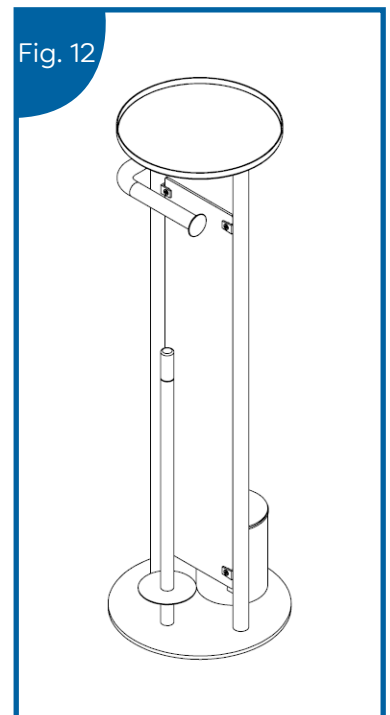


Fig. 12