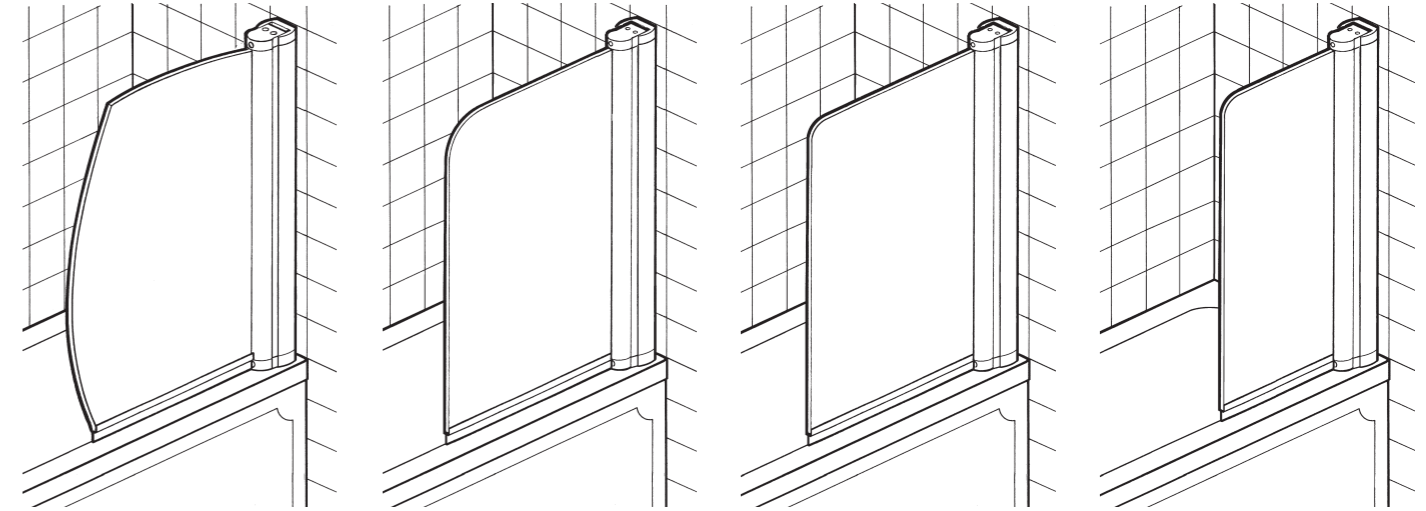


FRAMELESS BATHSCREEN



**Please read these instructions carefully and keep for future reference.
Incorrect fitting will invalidate the guarantee.**

! SAFETY

- Handle glass with great care. Although the glass is very tough, sharp impacts can damage the bathscreen.
- Make sure there are no hidden pipes or cables hidden in the wall where you intend to drill.
- Wear safety goggles, shoes and appropriate clothing.
- If you have long hair, tie it back out of the way.

! BEFORE INSTALLATION

- Two people are needed to carry out parts of the procedure, lift with care.
- Check the bath is perfectly level and does not sag or bow when you stand or sit in it.
- The bathscreen must only be fitted on water proof walls i.e. tiled walls which are sealed with waterproof grout.
- Check that the bath has a flat top edge with no protruding handles, which could interfere with the movement of the bathscreen.
- Always check very carefully that components are vertical.
- Please correctly dispose of packaging properly after installation.

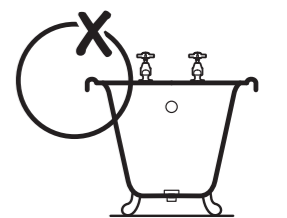
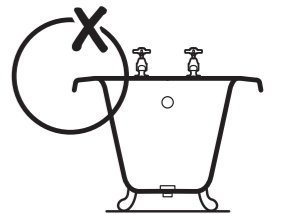
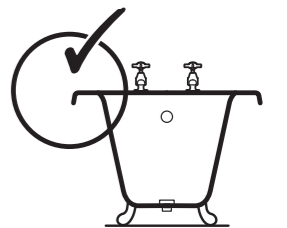
Equipment needed:

Drill, 6.5mm Masonry Bit, 4.5mm Metal Bit (general), Crosshead Screwdriver, Spirit Level, Pencil, Silicone Sealant, Tape Measure, Masking Tape.

Note: The screws and wall plugs supplied are for masonry walls. For lightweight walls i.e. stud partition, plasterboard etc, use the correct type of fixings.

IMPORTANT

Bathscreens should not be fitted to drop-fronted baths or baths with lipped fronts (see diagrams below).



RECYCLING

Packaging: The cardboard and polythene parts of this packaging can be recycled
End of life: This product contains materials such as aluminium and glass which can be recycled
Please contact your local authority to find your nearest recycling centre

! CARE AND MAINTENANCE

IMPORTANT: You must not use the bath or shower for 24 hours after installation of the bathscreen.

DO NOT use bleach, scouring powders, solvents or other aggressive cleaning agents. To clean, use warm soapy water and a clean cloth and rinse off.

DO NOT apply weight or pressure to the bathscreen. **DO NOT** swing the bathscreen violently.

When folding the bathscreen after use, fold it into the bath to prevent drips.

Periodically check all fixings and fittings and tighten if necessary.

A PRODUCT OF THE CORAM GROUP OF COMPANIES

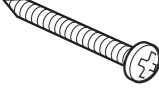
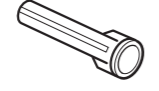

Coram Showers Ltd. Stanmore Industrial Estate, Bridgnorth, Shropshire WV15 5HP, UK • Tel: 01746 766466 • Fax: 01746 764140
www.coram.co.uk

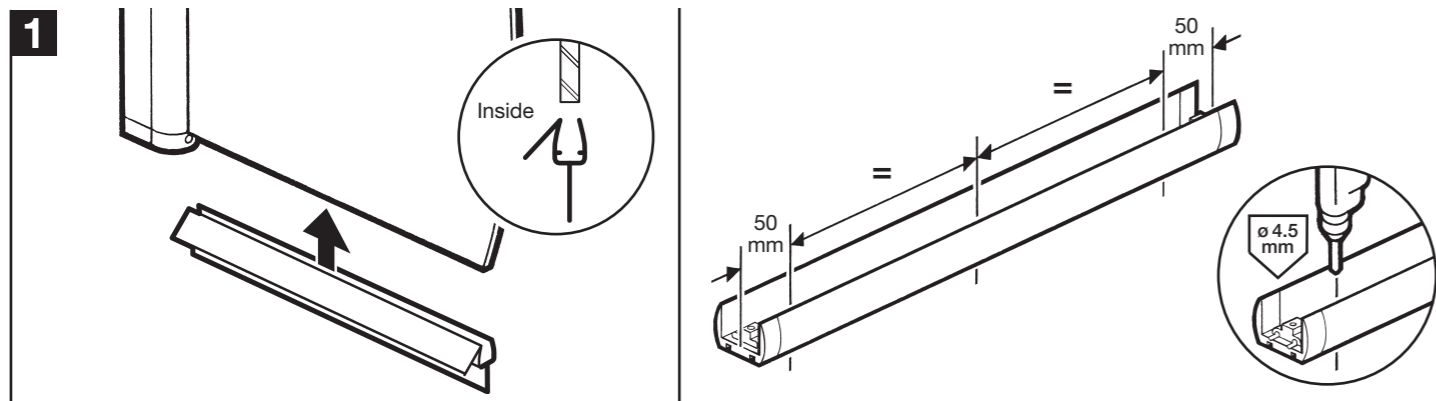
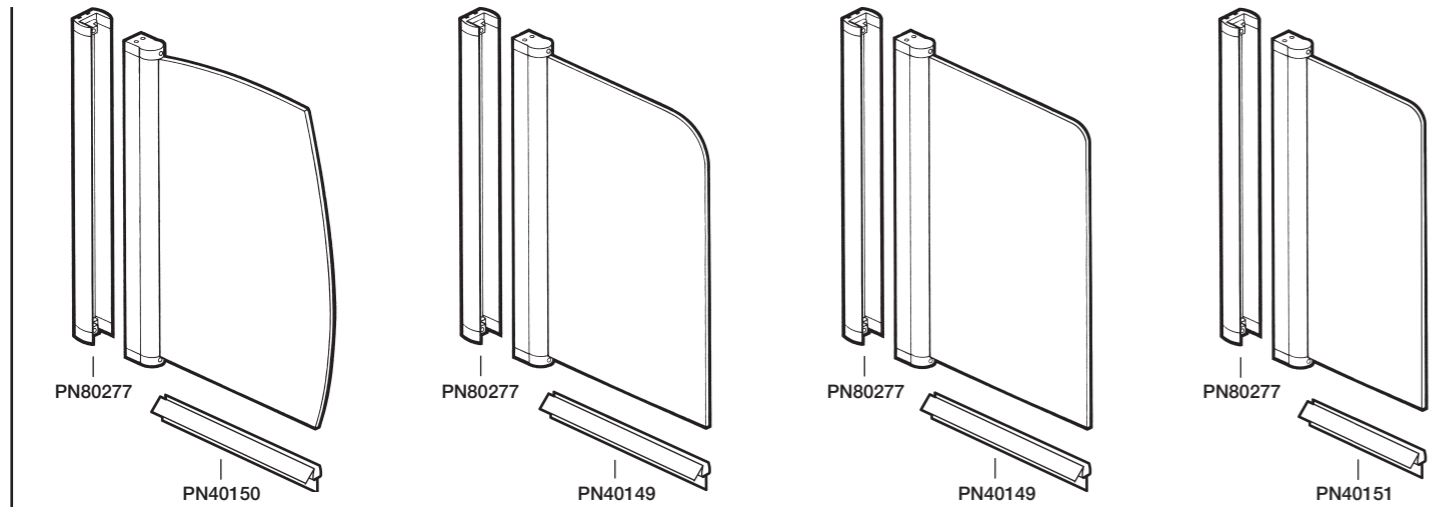
CUSTOMER CARELINE 01746 713410

This product is protected by UK Patent App. No. 0403656.2

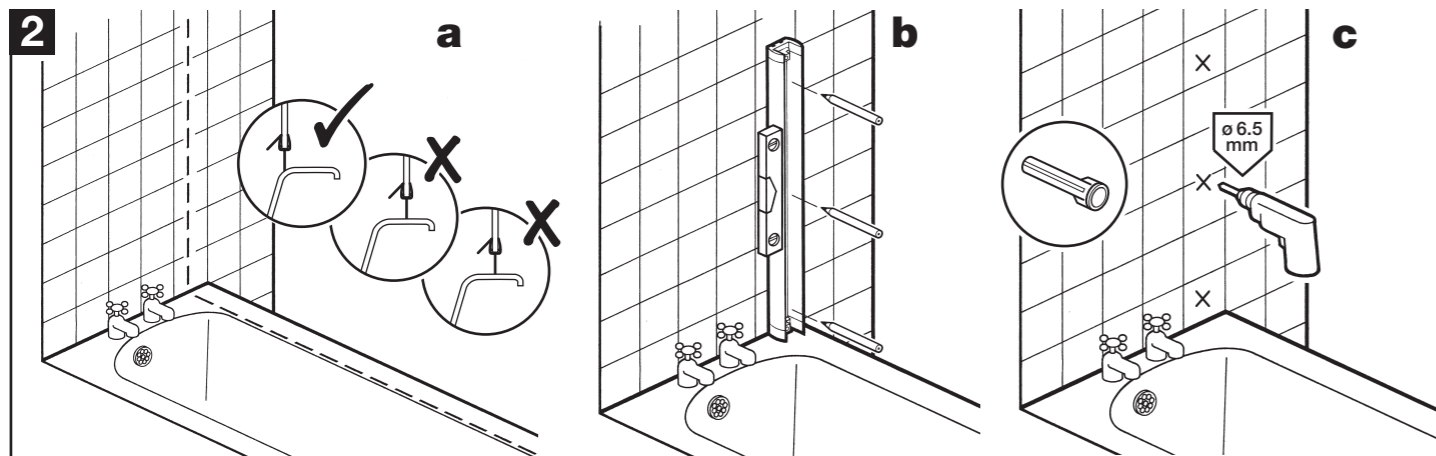
Check contents of pack before installation. If there is anything missing, contact our Customer Careline for assistance.

CUSTOMER CARELINE: 01746 713410

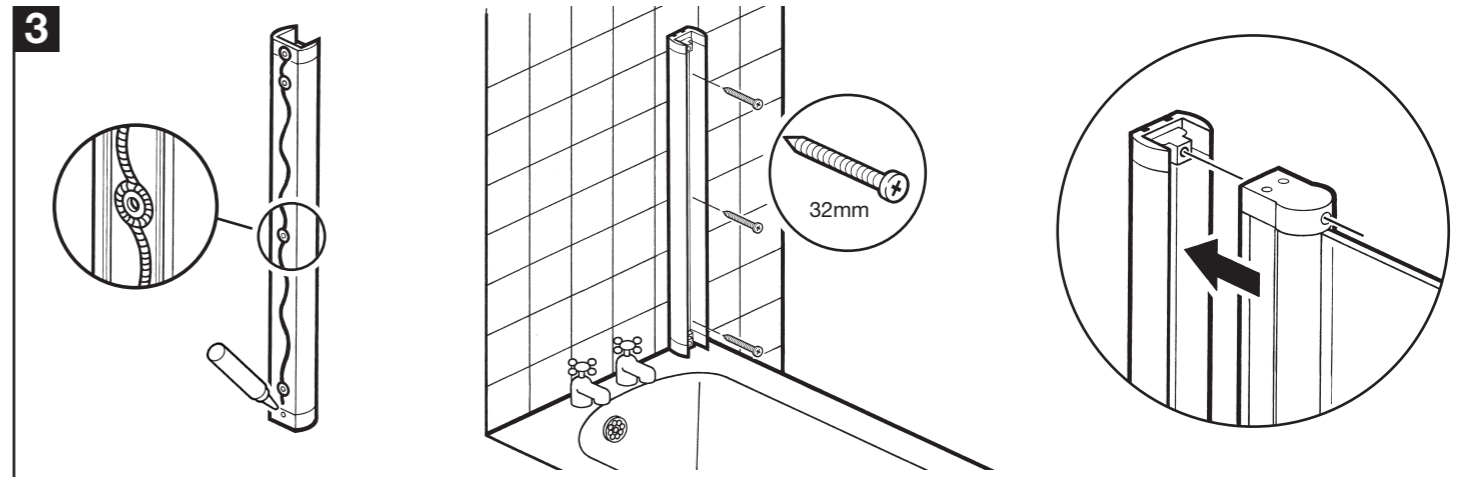
	PN8203	3		PN3230	3		PN4745	2
32mm Screw			Wall plug			Screw cap		



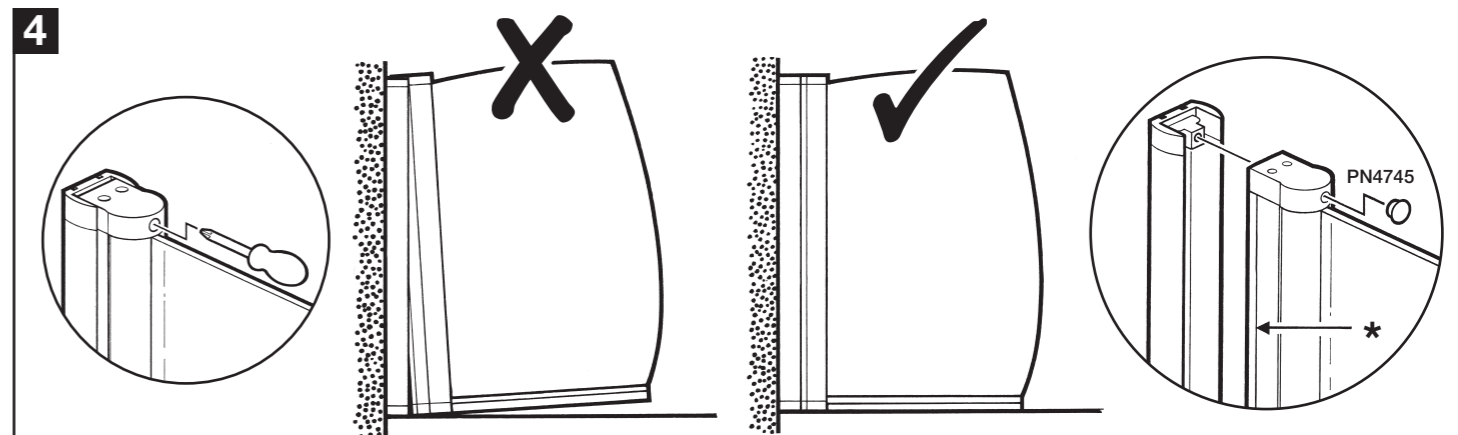
Fit the seal to the bottom of the bathscreen ensuring the seal 'flap' is on the inside of the screen, trim to length if required. Drill three holes in the wall channel (PN80277) at points shown using a 4.5mm drill bit, through the grooved centre line.



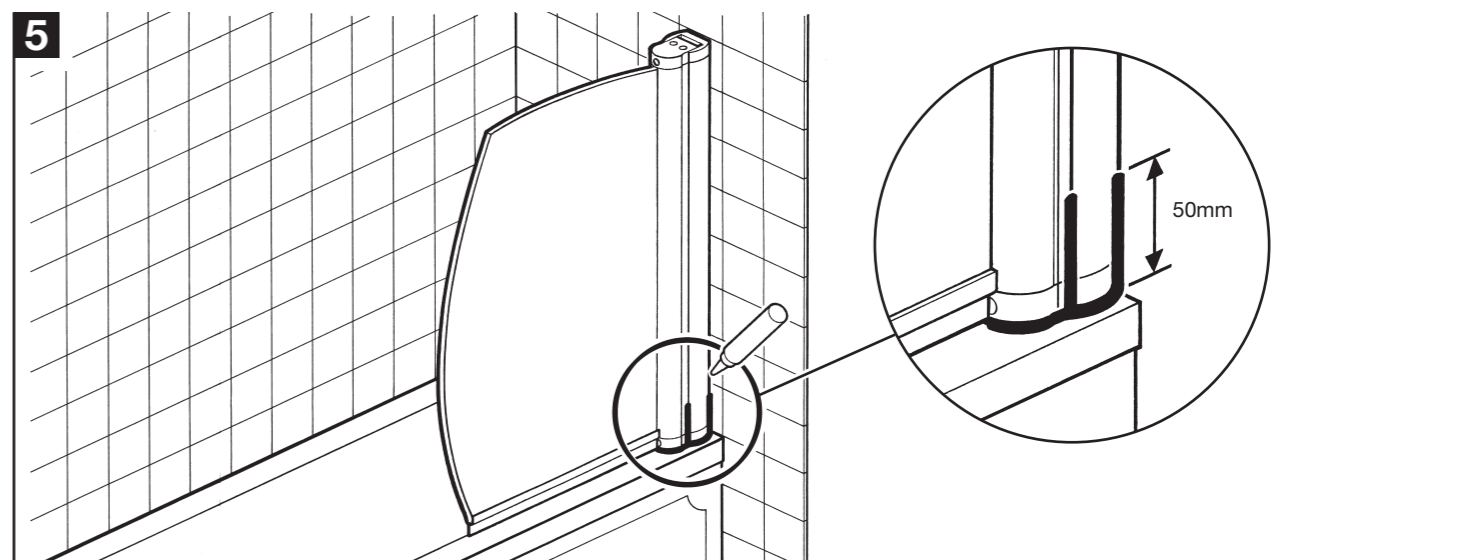
a: Position the bathscreen so that it rests along the inner edge of the bath rim.
b: Position the wall channel, ensure it is perfectly vertical and mark off the drill hole positions against the wall. Place masking tape against the wall before you mark hole positions. **c:** Drill 6.5mm holes to a depth of 30mm. Insert wall plugs.



Apply silicone sealant to back of wall channel as shown. Fix wall channel to wall using the 32mm screws. Insert the bathscreen into the wall channel, fully tightening the top and bottom screws.



Adjust the bathscreen by tightening or loosening the screws (top and bottom) so that the bottom seal gently brushes the bath rim evenly along its length. **IF THE SEAL IS TOO TIGHT ON THE BATH THE BATHSCREEN MAY LEAK.** The bathscreen **MUST NOT** come out of the wall channel beyond the marked line (*). Push fit both screw caps in their **TOP** and **BOTTOM** positions.



Apply silicone sealant to the outside of the bathscreen where shown. **DO NOT** apply silicone sealant to the inside face of the bathscreen.

Check out our full range of Shower Enclosures

Quadrant Shower Enclosures

Corner Entry Shower Enclosures

Walk in Shower Enclosures

Sliding Shower Doors

Bifold Shower Doors

Pivot Shower Doors

Hinged Shower Doors

Shower Screens

From Top Brands

Coram Shower Enclosures

Mira Shower Enclosures

Hydrolux Shower Enclosures

Diamond Shower Enclosures

With quality shower trays to match your enclosure

Square Shower Trays

Rectangular Shower Trays

Quadrant Shower Trays

Coram Shower Trays

Mira Flight Shower Trays

plumbworld
Big brands, small prices.