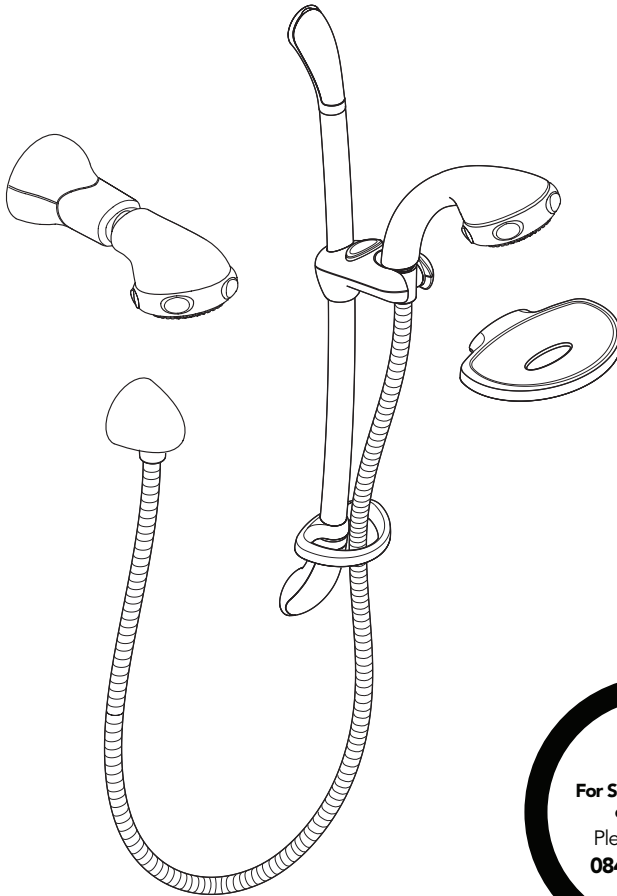


# Mira Logic Shower Fittings Adjustable Range



These instructions must be left with the user

Installation and User Guide

*Showering perfection*

**mira**  
SHOWERS

# INTRODUCTION

Thank you for purchasing a quality Mira product. To enjoy the full potential of your new product, please take time to read this guide thoroughly, having done so, keep it handy for future reference.

This Installation and User Guide covers the following products:

## **Mira Logic Exposed Variable Shower Fittings (ev)**

An adjustable spray handset with four different spray actions (start, soothe, force and eco\*), supplied complete with flexible hose, clamp bracket assembly, slide bar, supports, hose retaining ring/gel holder and wall mounted soap dish. Available in chrome, satin/chrome and white/gold finish.

## **Mira Logic Built-in Variable Shower Fittings (biv)**

Offering the same features as the Logic ev but also includes a right angle connector (RAC). Suitable for connection to concealed pipework supplies. Available in chrome, white, satin/chrome and gold finish.

## **Mira Logic Built-in Rigid Shower Fittings (bir)**

An adjustable spray built-in shower head with four different spray actions (start, soothe, force and eco\*). Suitable for connection to concealed pipework supplies only. Available in white and chrome finish.

\* The eco setting reduces the water flow on the start mode to give better economical use of water, whilst still giving an adequate shower performance. This setting performs best with most gravity, pumped, and mains pressure unvented systems. On electric showers and some combination boiler systems the economy setting will have no effect, and will give the same spray action as the start setting.

# IMPORTANT SAFETY INFORMATION

## **Warning!**

1. Products manufactured by us are safe and without risk provided they are installed, used and maintained in good working order in accordance with our instructions and recommendations.

## **Caution!**

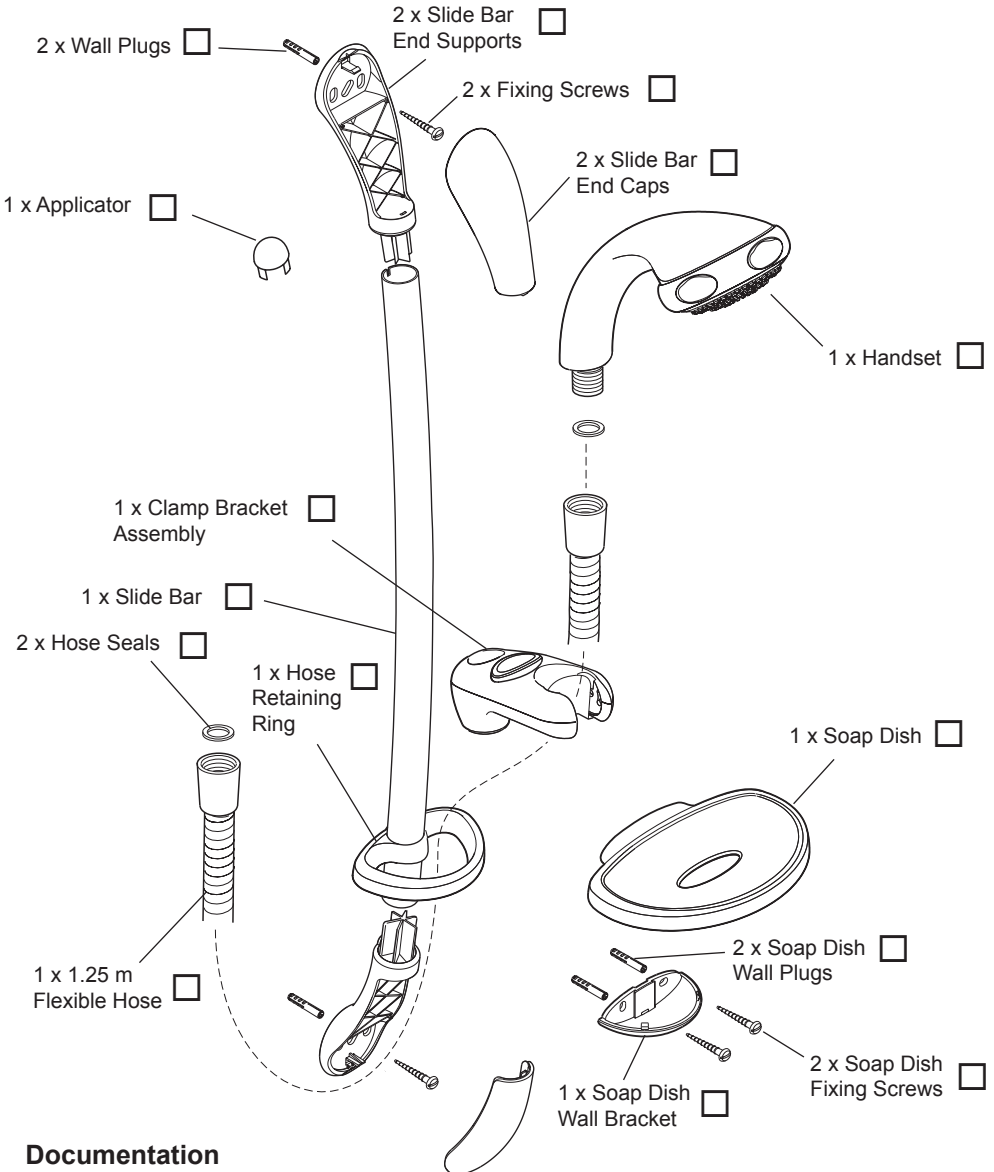
1. Read all of these instructions.
2. Retain this guide for later use.
3. Pass on this guide in the event of change of ownership of the installation site.
4. Follow all warnings, cautions and instructions contained in this guide.
5. Anyone who may have difficulty understanding or operating the controls of any shower should be attended whilst showering. Particular consideration should be given to the young, the elderly, the infirm, or anyone inexperienced in the correct operation of the controls.
6. When this product has reached the end of its serviceable life, it should be disposed of in a safe manner, in accordance with current local authority recycling, or waste disposal policy.

If you experience any difficulty with the installation or operation of your new shower fittings, then please refer to "**Fault Diagnosis**", before contacting Kohler Mira Limited. Our telephone and fax numbers can be found on the back cover of this guide.

# PACK CONTENTS CHECKLIST

Tick the appropriate boxes to familiarize yourself with the part names and to confirm that the parts are included.

## Mira Logic ev and biv Shower Fittings

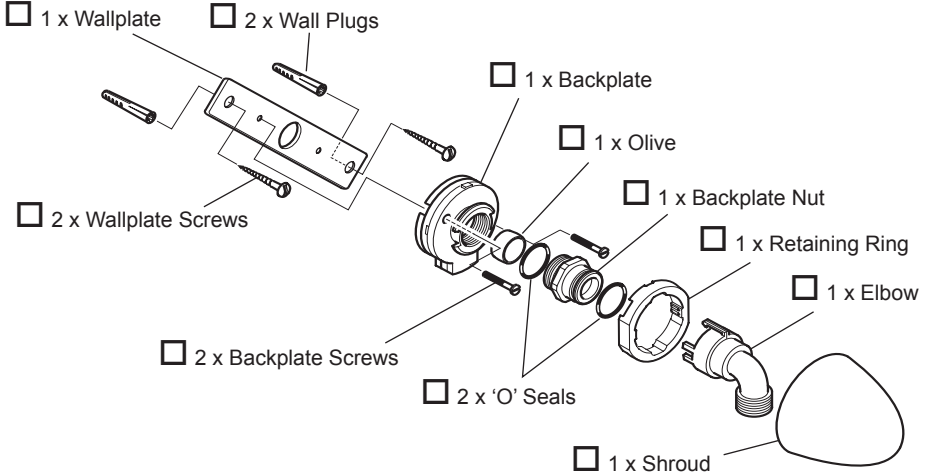


### Documentation

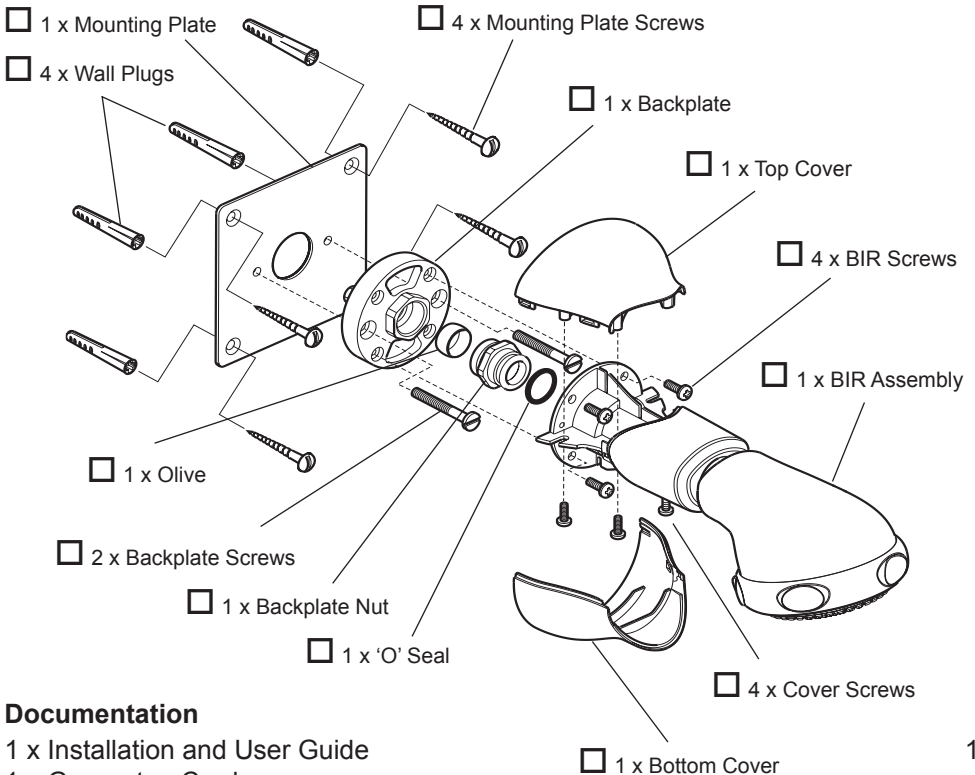
1 x Installation and User Guide

1 x Guarantee Card

## Mira Logic biv Shower Right Angle Connector Fittings Pack



## Mira Logic bir Shower Fittings

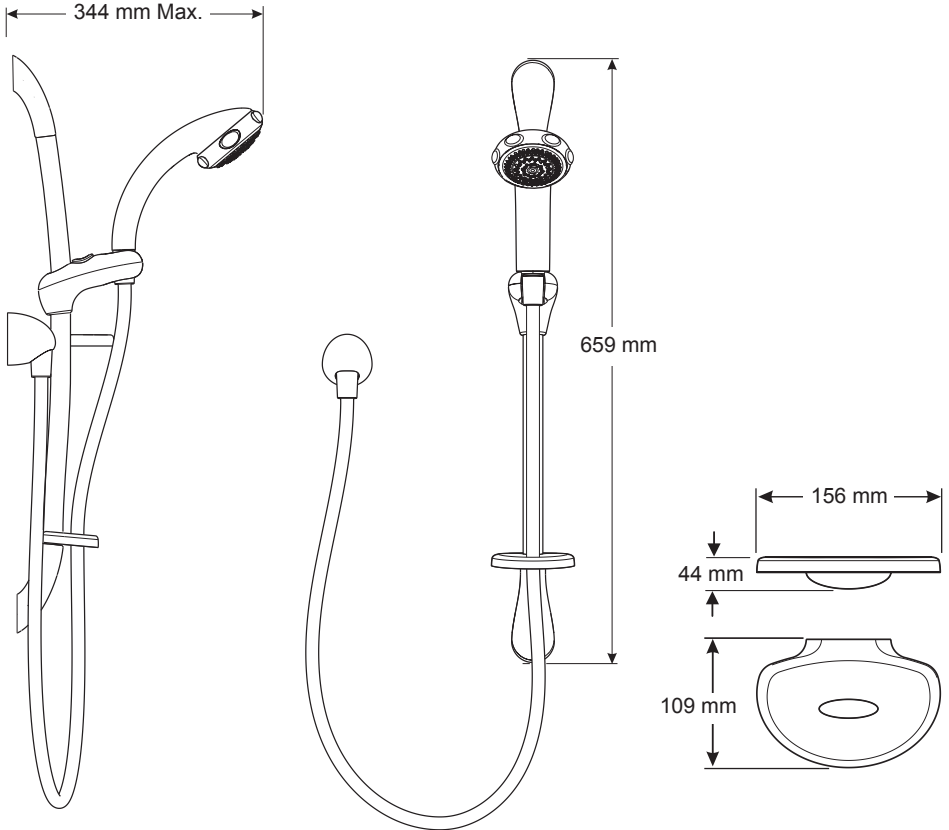


### Documentation

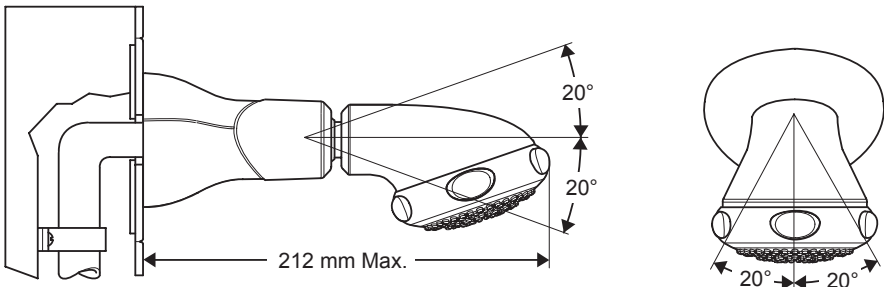
- 1 x Installation and User Guide
- 1 x Guarantee Card

# DIMENSIONS

## Mira Logic ev and biv Shower Fittings



## Mira Logic bir Shower Fittings



# SPECIFICATIONS

Minimum maintained pressure:

with low capacity nozzle ring fitted (as supplied): **0.1 bar**

with high capacity nozzle ring fitted: **0.2 bar**

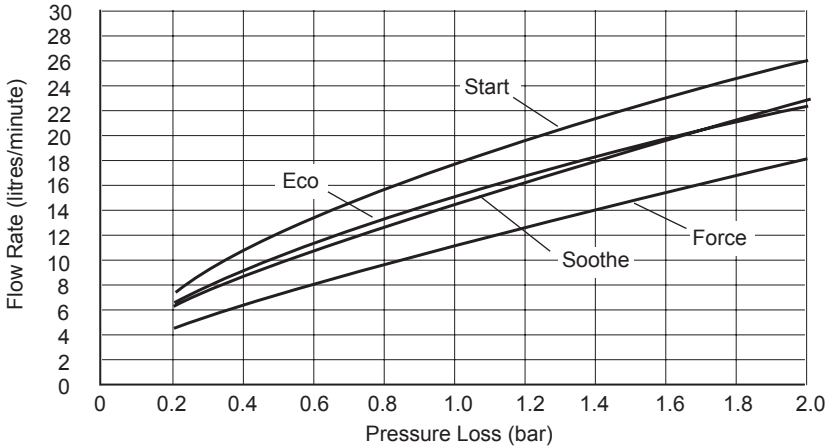
Maximum maintained pressure: **5.0 bar**

**Warning!** Exceeding the stated maximum maintained pressure could result in excessive spray forces and possible damage to the product.

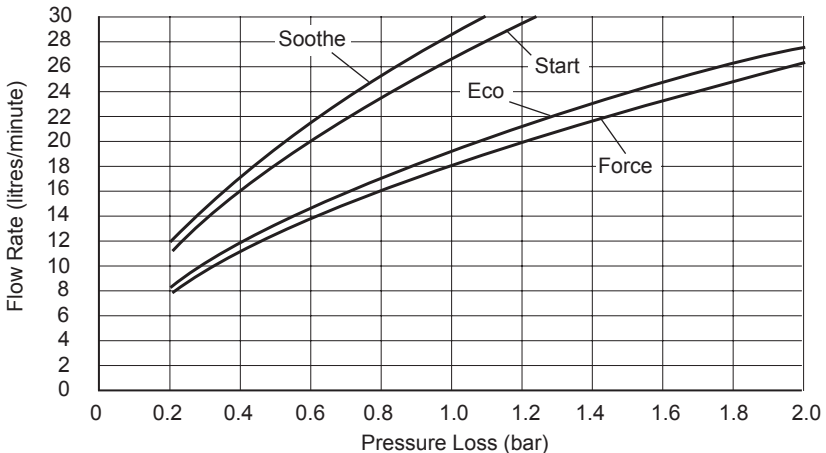
These are the typical flow performance graphs for the Mira Logic adjustable shower fittings only. There will be an additional pressure loss through the shower control.

Pressure loss = Pressure difference between the inlet and outlet of the fitting.

## With low capacity nozzle ring fitted



## With high capacity nozzle ring fitted



# INSTALLATION REQUIREMENTS

Installation must be carried out in accordance with these instructions, and must be conducted by designated, qualified and competent personnel.

1. The hose retaining ring supplied **must** be used to stop the handset from dropping below the spill-over level of the bath or shower tray. This will prevent water supply contamination due to backsiphonage.
2. Installations **must** comply with UK Water Regulations/ Bye-laws (Scotland), and Building and Plumbing Regulations in force at the time of installation.
3. When installing the shower fittings in a cubicle, position with the spray pointing across rather than toward the opening of the cubicle.
4. When installing the shower fittings over a bath, position with the spray pointing down the centre line of the bath.
5. Avoid layouts where the shower hose will be sharply kinked. This may reduce the life of the hose.
6. **Do not** fit any form of flow control in the shower outlet.
7. **Do not** use excessive force when making connections.
8. **Do not** install the fittings in a position where it could become frozen.
9. The minimum pressure required for a satisfactory spray pattern to form, at the handset or spray head, is 0.1 bar. For a gravity fed shower installation the minimum head of water required, to accommodate the pressure loss in the pipes and shower control of a typical installation, is 1.0 metre.  
For a pump installation the minimum acceptable vertical distance between the base of the cold water storage cistern and the shower head to operate the pump's flow switches, is typically 0.6 m (600 mm).

## High and Low Capacity Nozzle Rings

1. All shower fittings are supplied with low capacity nozzle rings fitted as standard to the handset or shower head. High capacity nozzle rings, with larger spray holes, are also included in the fittings pack.  
The low capacity nozzle rings will be suitable for low pressure installations. However for high pressure installations the spray force may be too powerful for comfortable showering. In such situations it is recommended the high capacity nozzle rings are fitted. Refer to the section: **High Capacity Nozzle Ring Installation** for fitting instructions.
2. For gas water heaters which require a higher flow rate to operate correctly, it is recommended the high capacity nozzle rings are fitted.

# INSTALLATION

**Note!** For dry lined, stud partition, shower cubicle or laminated panel walls the installer may wish to obtain alternative proprietary cavity fixings. Use of these alternative fixings is beyond the scope of this guide.

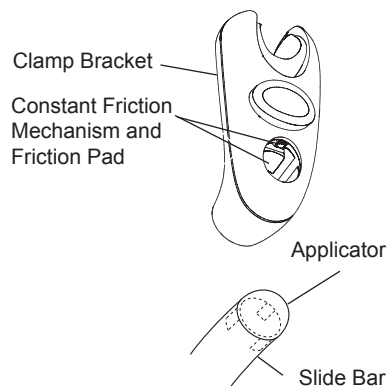
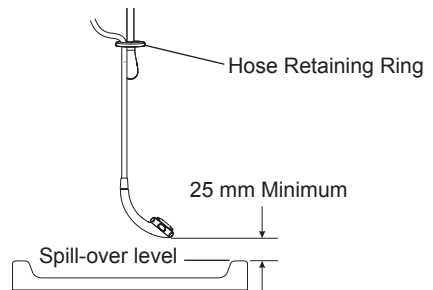
**Important!** If the Logic slide bar replaces an existing Mira slide bar make sure that the position of the shower control and the shower fittings provide a minimum of 25 mm between the handset and bath/tray spill-over level. This is necessary to prevent back-siphonage. If this is not possible then the new slide bar will have to be repositioned.

## Mira Logic Exposed Variable Shower Fittings (ev)

Read the section: **Installation Requirements** before proceeding with the installation.

The slide bar should be positioned to one side of the shower control at a convenient height for all the family. It should be positioned so that the handset discharges down the centre line of the bath, or across the opening of the shower cubicle. The handset should be directed away from the shower control.

1. Decide on a suitable position for the slide bar avoiding buried cables and pipes. Make sure that when the hose retaining ring is placed on the lowest position on the slide bar there is a minimum of 25 mm between the handset and bath/tray spill-over level. This is necessary to prevent back-siphonage.
2. **Important!** The slide bar has been supplied with an applicator fitted to one end (refer to illustration) to assist the assembly of the slide bar through the hole in the clamp bracket. With the clamp bracket button **FULLY** depressed carefully ease the slide bar through the hole in the clamp bracket. Take care not to dislodge the constant friction mechanism or the friction pad.
3. Release the clamp bracket button. Remove the applicator from the slide bar and store in a safe place for future use.
4. Slide the hose retaining ring onto the slide bar below the clamp bracket.





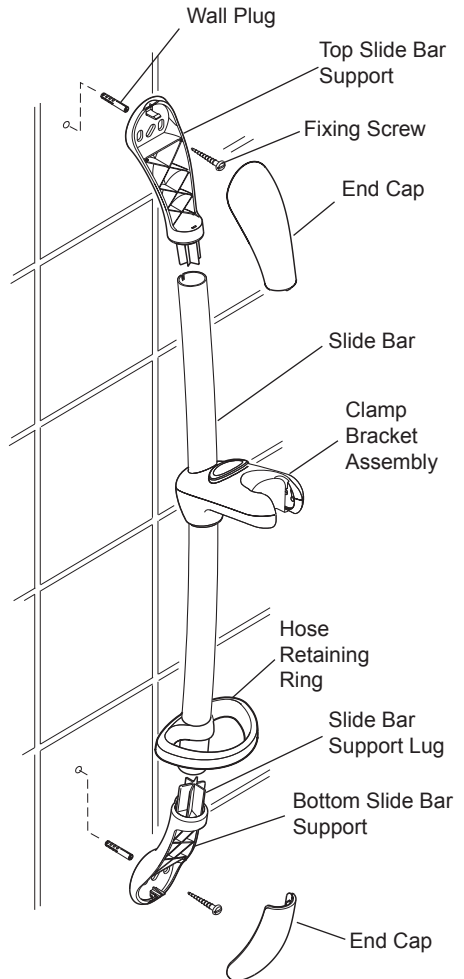
5. Make sure that the slots in the slide bar are aligned with the lugs in the support and fit the two slide bar supports to the ends of the slide bar. Make sure that each support is pushed firmly home.

**Note!** If replacing an existing Mira Slide Bar proceed to instruction 8.

6. Using the assembled slide bar and supports as a template, mark the position of the two fixing holes using the centre slot.

**Warning!** Make sure that there are no buried cables or pipes in the wall before drilling.

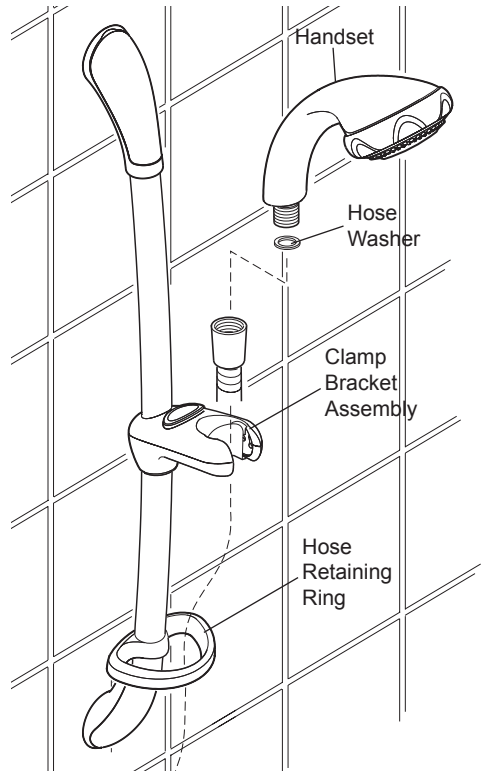
7. Drill the two 7 mm holes for the fixing screws and insert the wall plugs supplied. (Alternatively use proprietary cavity fixings for dry lined, stud partition, shower cubicle or laminated panel walls).
8. Fix the bottom slide bar support to the wall using the screw provided. Make sure that the screw is fully tightened.
9. Loosely screw the top slide bar support to the wall. Press firmly down on the top slide bar support and, while continuing to apply force, fully tighten the screw.
10. Fit the end caps to the slide bar supports.
11. Check the slide bar cannot be rotated or vertically moved. If there is movement remove the slide bar assembly from the wall. Check the slide bar support lugs are properly engaged with the slots in the slide bar and the supports are pushed fully onto the slide bar ends. Refit the slide bar assembly.
12. Refer to sections: **Handset Installation** and **Soap Dish Installation** to complete the fittings installation.



## Handset Installation

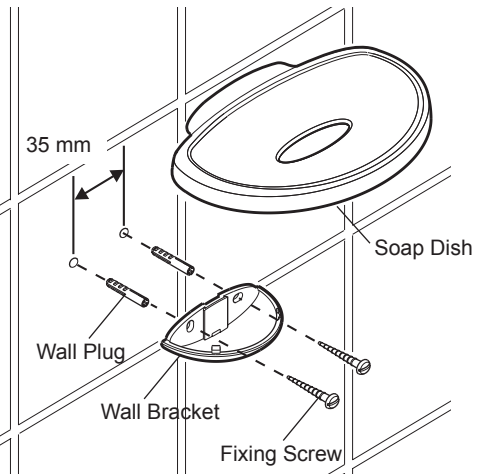
**Caution!** Do not overtighten the hose.

1. Screw the hose onto the outlet of the shower control (Make sure that the hose washer is fitted).
2. Pass the flexible hose through the hose retaining ring and screw the remaining end of the hose onto the handset (Make sure that the hose washer is fitted).
3. Place the handset in the clamp bracket assembly.



## Soap Dish Installation

1. Decide on a suitable position for the soap dish, avoiding any buried cables and pipes.
2. Place the wall bracket on the wall and mark the position of the fixing holes.  
**Warning!** Make sure that there are no buried cables or pipes in the wall before drilling.
3. Drill the two 6 mm fixing holes for the soap dish at 35 mm centres and insert the wall plugs supplied.
4. Screw the wall bracket to the wall.
5. Clip the soap dish onto the wall bracket.
6. This completes the installation of the Mira Logic adjustable shower fittings.



## Mira Logic Built-in Variable Shower Fittings (biv)

Read the section: **Installation Requirements** before proceeding with the installation.

The slide bar should be positioned to one side of the shower control at a convenient height for all the family. It should be positioned so that the handset discharges down the centre line of the bath, or across the opening of the shower cubicle. The handset should be directed away from the shower control.

### Solid and Dry-lined Wall Installation

1. The 15 mm copper pipework from the outlet of the shower control must be vertical or horizontal and not at an angle, so that it does not interfere with the installation screws.

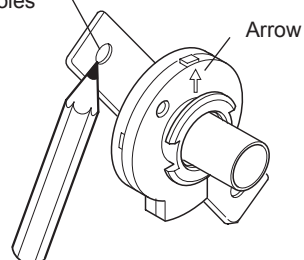
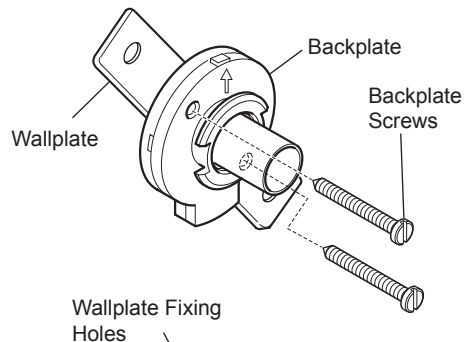
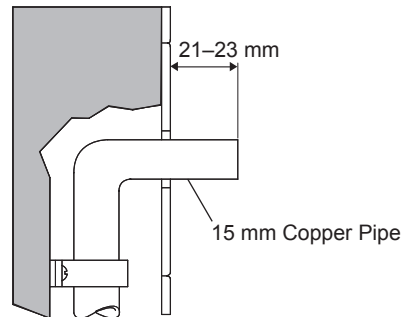
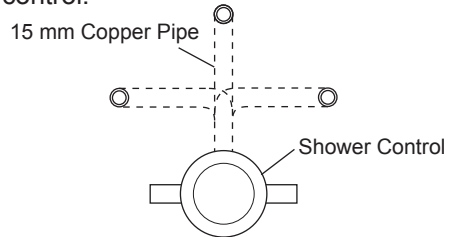
2. The 15 mm copper pipework must protrude through the finished wall surface by **21–23 mm**.

**Note!** If it is necessary to trim the pipe to length, remove any burrs before proceeding.

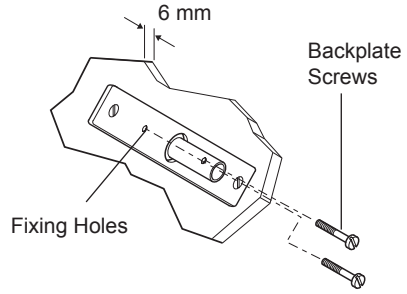
3. Loosely screw the backplate to the wallplate, using the two backplate screws provided.

4. Place the backplate/wallplate assembly over the copper pipe with the arrow pointing up. The screw holes should be at 40° to the horizontal.

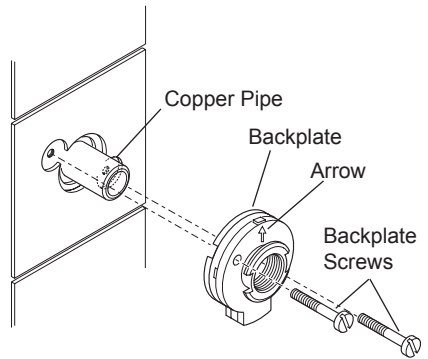
5. Mark the positions of the two wallplate fixing holes.



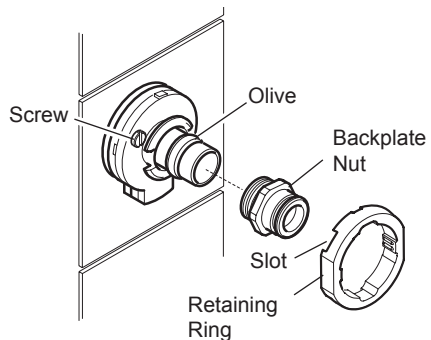
6. Remove the backplate/wallplate assembly from the wall.
7. Separate the backplate and the wallplate.
8. Drill the two 6 mm wallplate holes.
9. If necessary, make a recess 6 mm deep to accept the wallplate.
10. Fit the two wall plugs supplied.
11. Fit the wallplate to the wall with the two wallplate screws supplied.



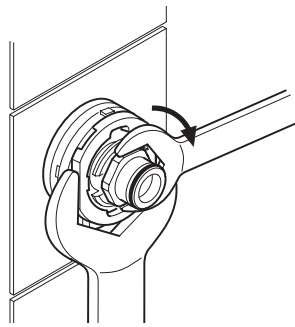
12. Temporarily fit the two backplate screws into the wallplate. This will prevent the fixing holes from becoming blocked with plaster or grout.
13. Finish the surface of the wall as required.
14. Remove the two backplate screws from the wall.



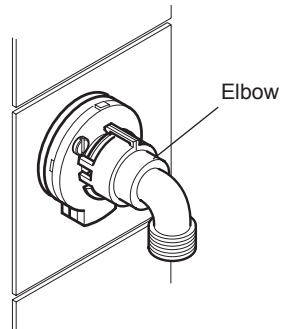
15. Place the backplate over the copper pipe with the arrow facing up and tighten the two backplate screws. Make sure that the foam seal abuts the finished wall surface.
16. Check that the blue 'O' seal is fitted inside the backplate nut. Fit the olive and the backplate nut over the outlet pipe, do not tighten the nut fully at this point.



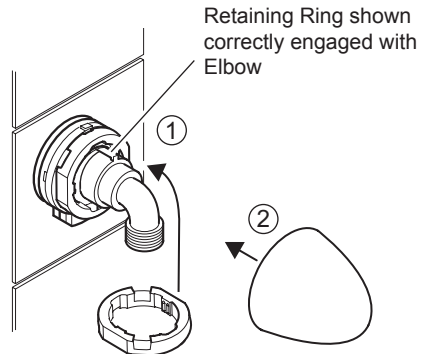
17. To prevent the backplate from turning while tightening the nut, fit the retaining ring over the backplate nut making sure the slots engage with the screws on the backplate, hold the retaining ring with a wrench while tightening the backplate nut. Remove the retaining ring after use.



18. Check that the second 'O' seal (black) is fitted to the outside of the backplate nut. Press the elbow onto the backplate, make sure that the clips on the elbow engage with the backplate.



19. Slide the retaining ring over the elbow and engage with the elbow clips. **Note!** The retaining ring must be engaged correctly to lock the elbow to the backplate, rotate the retaining ring to the position illustrated.

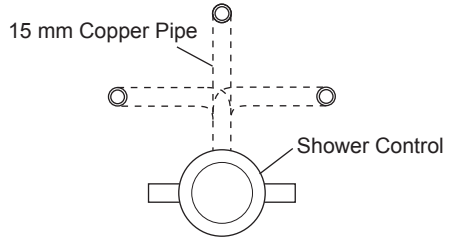


20. Press the shroud over the elbow, make sure that it engages with the lugs on the backplate.

21. Fit the slide bar, handset and soap dish refer to section: **Mira Logic Exposed Variable Shower Fittings (ev)**.

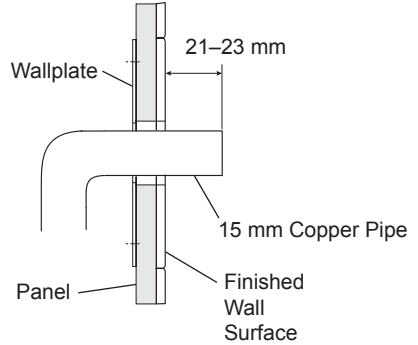
## Shower Cubicle, Laminated Panel or Stud Partition Wall Installation

1. The 15 mm copper pipework from the outlet of the shower control must be vertical or horizontal and not at an angle, so that it does not interfere with the installation screws.



2. Drill a 25 mm hole in the wall for the copper pipework.

3. Feed the copper pipework through the wallplate and then through the hole in the wall. The 15 mm copper pipework must protrude through the wall by **21-23 mm**.



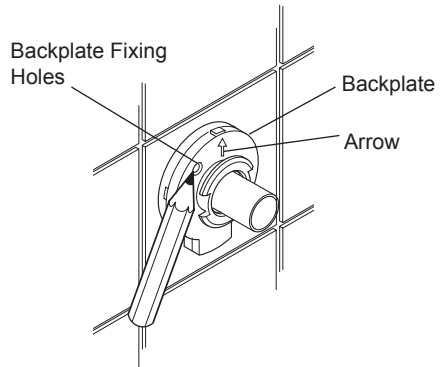
**Note!** If it is necessary to trim the pipe to length, remove any burrs before proceeding.

4. Place the backplate over the copper pipe with the arrow pointing up. The screw holes should be at 40° to the horizontal.

5. Mark the positions of the two backplate fixing holes.

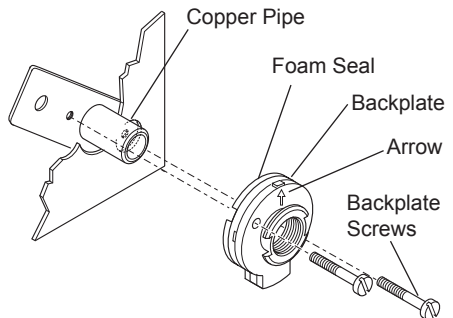
6. Remove the backplate from the wall.

7. Drill the two 5.5 mm backplate holes.

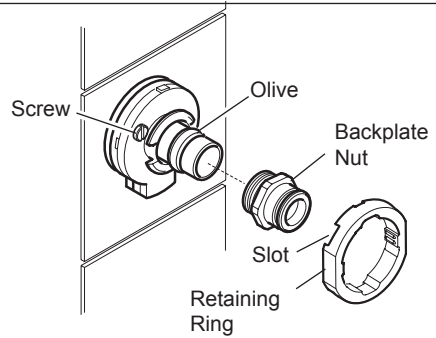


8. Place the backplate over the copper pipe with the arrow facing up.

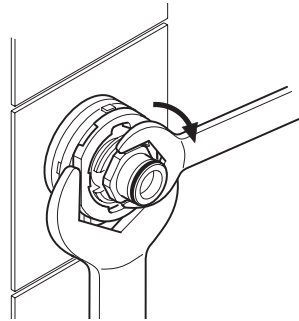
9. Hold the wallplate in position behind the wall. Insert the two backplate screws through the holes in the wall and fit them to the wallplate. Ensure that the foam seal abuts the finished wall surface.



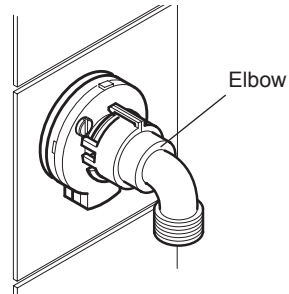
10. Check that the blue 'O' seal is fitted inside the backplate nut. Fit the olive and the backplate nut over the outlet pipe, do not tighten the nut fully at this point.



11. To prevent the backplate from turning while tightening the nut, fit the retaining ring over the backplate nut making sure the slots engage with the screws on the backplate, hold the retaining ring with a wrench while tightening the backplate nut. Remove the retaining ring after use.



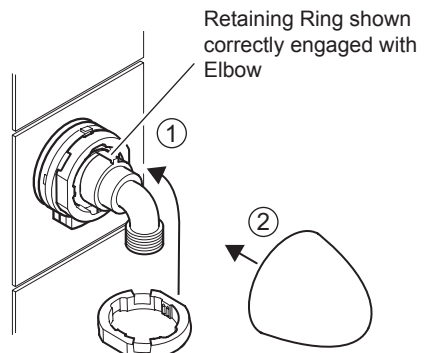
12. Check that the second 'O' seal (black) is fitted to the outside of the backplate nut. Press the elbow onto the backplate, make sure that the clips on the elbow engage with the backplate.



13. Slide the retaining ring over the elbow and engage with the elbow clips. **Note!** The retaining ring must be engaged correctly to lock the elbow to the backplate, rotate the retaining ring to the position illustrated.

14. Press the shroud over the elbow, make sure that it engages with the lugs on the backplate.

15. Fit the slide bar, handset and soap dish refer to section: **Mira Logic Exposed Variable Shower Fittings (ev)**.



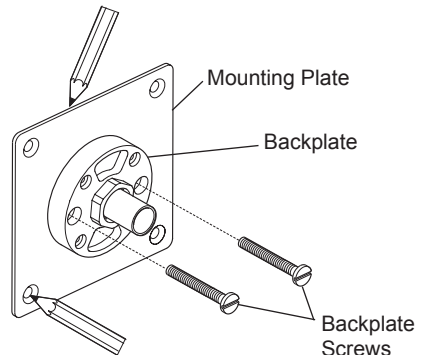
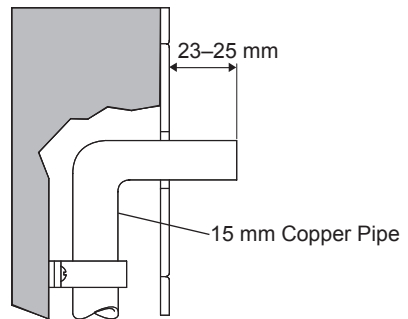
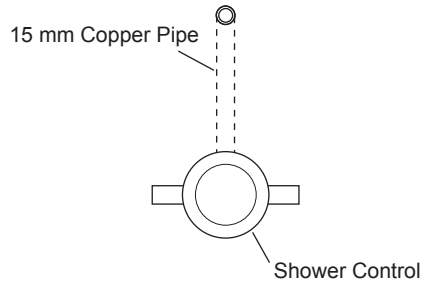
## Mira Logic Built-in Rigid Shower Fittings (bir)

Read the section: **Installation Requirements** before proceeding with the installation.

The shower head should be positioned to one side of the shower control at a convenient height for all the family. It should be positioned so that the spray discharges down the centre line of the bath, or across the opening of the shower cubicle. The shower head should be directed away from the shower control.

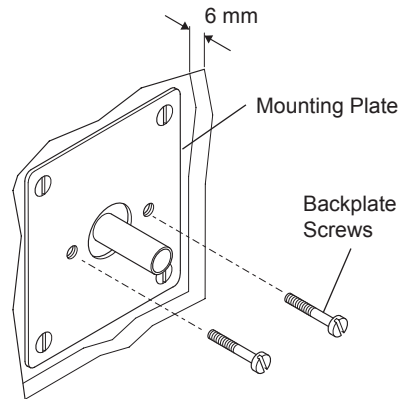
### Solid and Dry-lined Wall Installation

1. The 15 mm copper pipework from the outlet of the shower control must be vertical so that it does not interfere with the installation screws.
2. The 15 mm copper pipework must protrude through the finished wall surface by **21–23 mm**.  
**Note!** If it is necessary to trim the pipe to length, remove any burrs before proceeding.
3. Loosely screw the backplate to the mounting plate using the two backplate screws provided.
4. Place the mounting plate/backplate assembly over the copper pipe.
5. Mark the position of the mounting plate and the fixing holes on the wall surface.

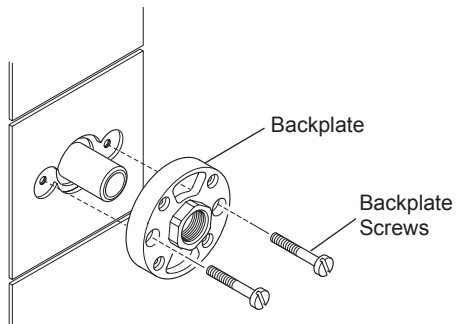




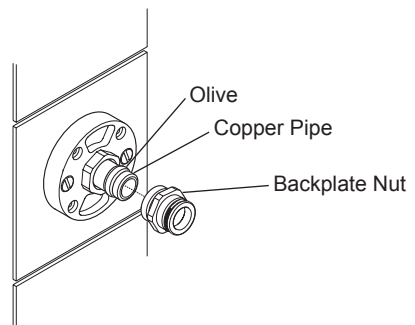
6. Remove the mounting plate/backplate assembly from the wall.
7. Separate the backplate and the mounting plate.
8. Drill the four mounting plate holes and fit the wall plugs supplied.
9. If necessary, make a recess 6 mm deep to accept the mounting plate.
10. Fit the mounting plate to the wall with the four mounting plate screws supplied. The two threaded holes must be horizontal.



11. Temporarily fit the two backplate screws into the mounting plate. This will prevent the fixing holes from becoming blocked with plaster or grout.
12. Finish the surface of the wall as required.



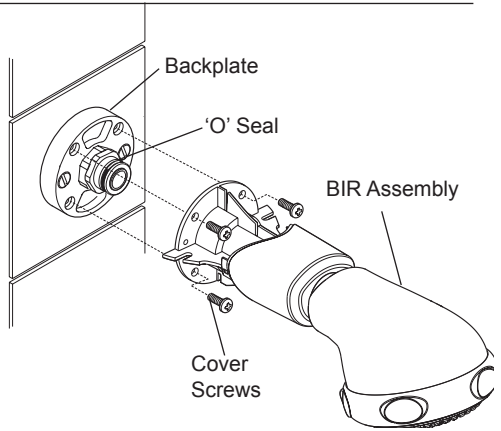
13. Remove the two backplate screws from the wall.
14. Fix the backplate to the wall using the two backplate screws.
15. Fit the olive over the copper pipe and tighten the backplate nut into position.



16. Ensure that the 'O' seal is fitted on the backplate nut. Push the BIR assembly over the backplate nut onto the backplate.

17. Fix the BIR assembly to the backplate using the four cover screws provided.

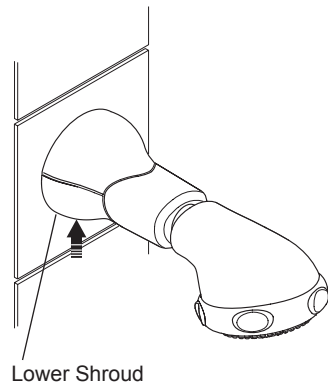
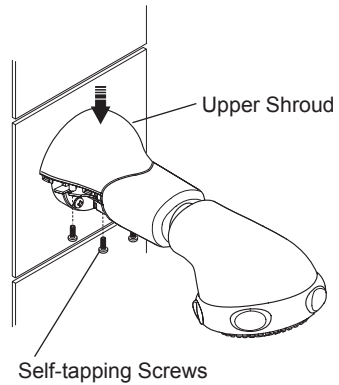
**Note!** If necessary, a 9 L/min flow regulator can be fitted in the BIR assembly with an adaptor – contact Customer Services.



18. Fix the upper shroud to the BIR assembly using the four self-tapping screws provided.

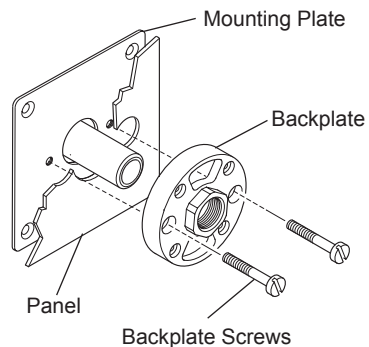
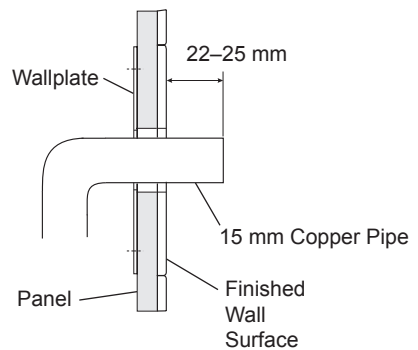
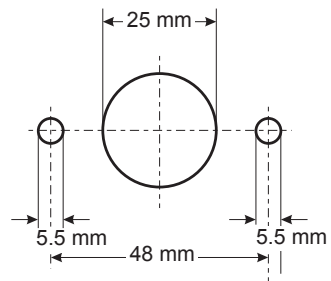
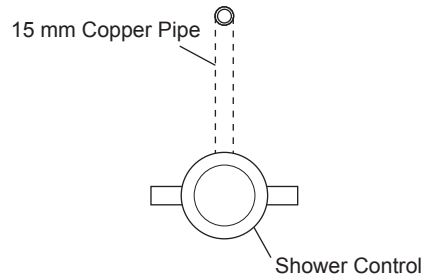
19. Snap the lower shroud into position.

21. Install the soap dish, refer to section: **Soap Dish Installation.**



## Shower Cubicle, Laminated Panel, or Stud Partition Wall Installation

1. The 15 mm copper pipework from the outlet of the shower control must be vertical so that it does not interfere with the installation screws.
2. Cut a 25 mm hole in the panel.
3. Cut two 5.5 mm holes at 48 mm centres in the panel.
4. Place the mounting plate behind the panel, and feed the copper pipe through the mounting plate and the panel. Make sure that the pipe protrudes **22–25 mm** from the wall.  
**Note!** If it is necessary to trim the pipe to length, remove any burrs before proceeding.
5. Holding the mounting plate in position behind the panel, fix the backplate to the mounting plate, through the panel, with the two backplate screws.
6. Complete the installation following steps 15 to 21 of the **Mira Logic bir – Built-in Rigid Shower Fittings: Solid and Dry-lined Wall Installation** section.



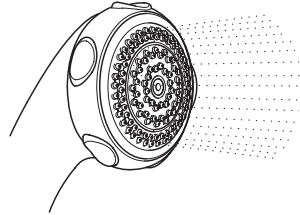
# OPERATION

## Changing Spray Settings

The handset has four different spray settings (Eco, start, soothe and force).

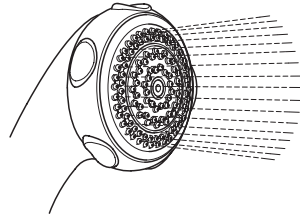
### 1. Eco Setting

Turn the spray plate fully clockwise. Water will flow from the outer set of holes and the flow rate will be reduced. This setting performs best with most gravity, pumped, and mains pressure unvented systems. On electric showers and some combination boiler systems the economy setting will have no effect, and will give the same spray action as the start setting.



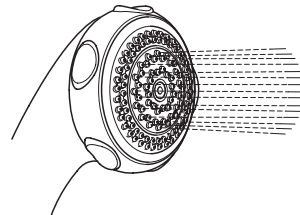
### 2. Start

Turn the spray plate anticlockwise until it 'clicks' (one click from economy setting). Water will flow from the outer set of holes.



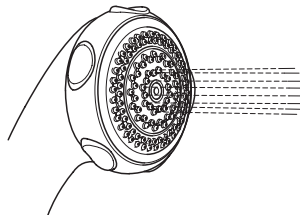
### 3. Soothe

Turn the spray plate anticlockwise until it 'clicks' (two clicks from economy setting). Water will flow from the large diameter holes.



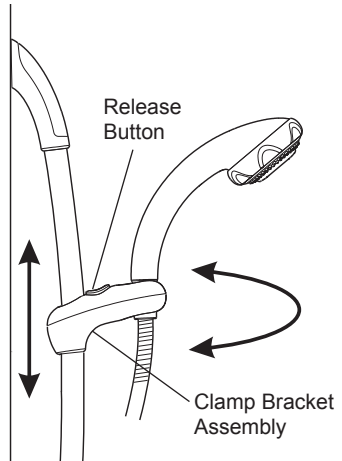
### 4. Force

Turn the spray plate anticlockwise until it 'clicks' (three clicks from economy setting). Water will flow from the inner set of holes.

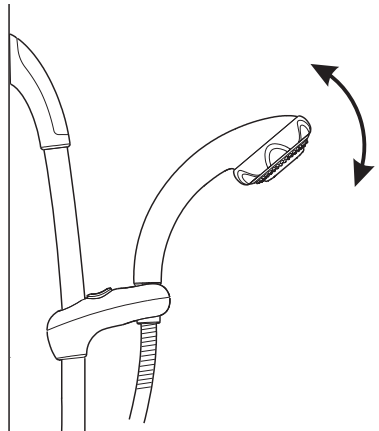


## Clamp Bracket Adjustment (ev and biv shower fittings only)

1. Depress the release button and slide the clamp bracket assembly to the required position.

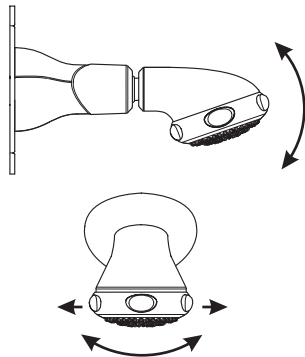


2. Move the handset to the required angle. A friction mechanism within the clamp bracket assembly will hold the handset at the desired angle.



## Shower Head Adjustment (bir shower fittings only)

1. Move the spray head to the required position. The spray head is adjustable in both the horizontal and vertical directions.



# FAULT DIAGNOSIS

The trouble shooting information tabled below gives details on what you can do as a user, should you encounter difficulties with the shower fittings whilst operating the shower. Before replacing any parts make sure that the underlying cause of the malfunction has been resolved.

Malfunction	Cause	Remedy
No flow or low flow rate from the Showerhead.	<p>Spray plate blocked.</p> <p>Hose blocked or twisted.</p> <p>Partially closed stop or servicing valve in supply pipe work to the shower control.</p> <p>Head of water below minimum required.</p> <p>Problem with shower control.</p>	<p>Refer to section: <b>Maintenance, Cleaning.</b></p> <p>Clear blockage or release twist in hose or renew hose.</p> <p>Open valve.</p> <p>Raise cistern or fit Mira pump.</p> <p>Refer to the shower control Installation and User Guide.</p>
Drip from spray plate assembly in handset.	<p>A small amount of water may be retained in the Showerhead after the shower control has been turned off. This may drain over a few minutes.</p> <p>Problem with shower control.</p>	<p>This is quite normal. Changing the angle of the shower fitting may vary the draining time.</p> <p>Refer to the shower control Installation and User Guide.</p>
Shower temperature changes when spray action is adjusted.	<p>Adjusting the spray action changes the flow of water. This may affect some shower controls and plumbing installations.</p>	<p>To minimise the effect make sure that the spray plate is clean. Refer to section: <b>Maintenance, Cleaning.</b> If the the malfunction persists refer to the shower control Installation and User Guide.</p>
The spray force is uncomfortably strong.	<p>High pressure shower installation.</p>	<p>Fit high-capacity nozzle rings or a 9 L/min flow regulator.</p>

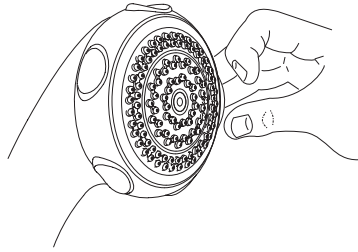
# MAINTENANCE

## Cleaning

Many household cleaners contain abrasives and chemical substances, and should not be used for cleaning plated or plastic fittings. These finishes should be cleaned with a mild washing up detergent or soap solution, and then wiped dry using a soft cloth.

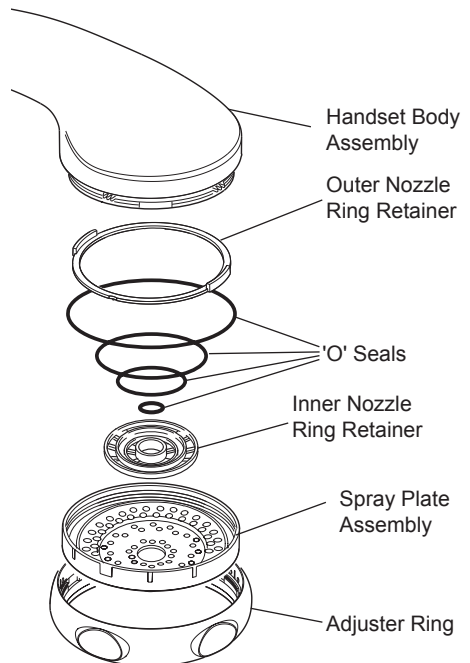
### Spray Plate Assembly - External

1. Use your thumb or a soft cloth to wipe any limescale from the soft rubber nozzles and the front face of the spray plate assembly.



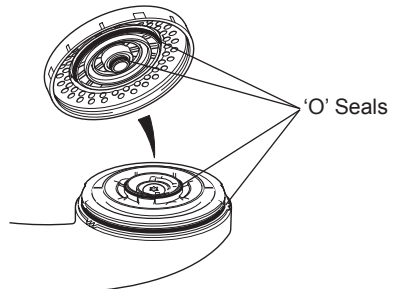
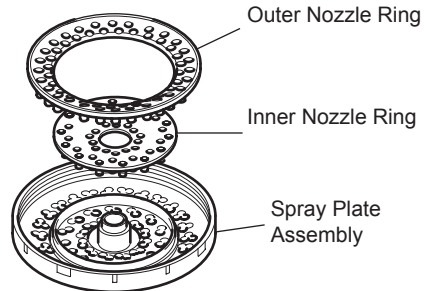
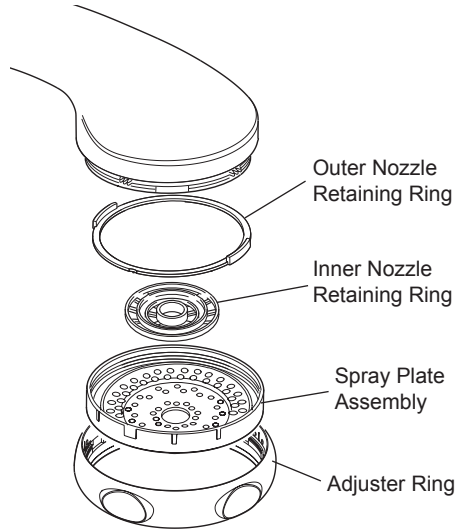
### Spray Plate Assembly - Internal

1. Remove the spray plate assembly. Refer to section: **Maintenance, High Capacity Nozzle Ring Installation.**
2. Clean all the components with a stiff brush. If necessary use a plastic kettle descaler in accordance with the manufacturer's instructions. Flush thoroughly with water before the shower is used.
3. If necessary replace the 'O' seals. Refer to section: **Spare Parts.**
4. Refit the components in reverse order. Make sure that the 'O' seals and the inner and outer nozzle retaining rings are fitted correctly. Refer to section: **Maintenance, High Capacity Nozzle Ring Installation.**



## High Capacity Nozzle Ring Installation

1. Turn the adjuster ring fully anticlockwise.
2. Unclip and remove the adjuster ring.
3. Unscrew the spray plate assembly in an anticlockwise direction. The 'O' seals will provide some resistance.
4. Remove the inner and outer nozzle retaining rings.
5. Replace the inner and outer nozzle rings with the high capacity versions supplied.
6. Ensure that the four 'O' seals are correctly fitted.
7. Fit the inner nozzle retaining ring on the spray plate assembly.
8. Fit the inner nozzle retaining ring on the spray plate assembly.
9. Turn the flow divertor fully clockwise.
10. Carefully screw the spray plate assembly onto the flow divertor.
11. Align the inner teeth on the adjuster ring with the teeth on the handset flow divertor. Clip the adjuster ring into position.



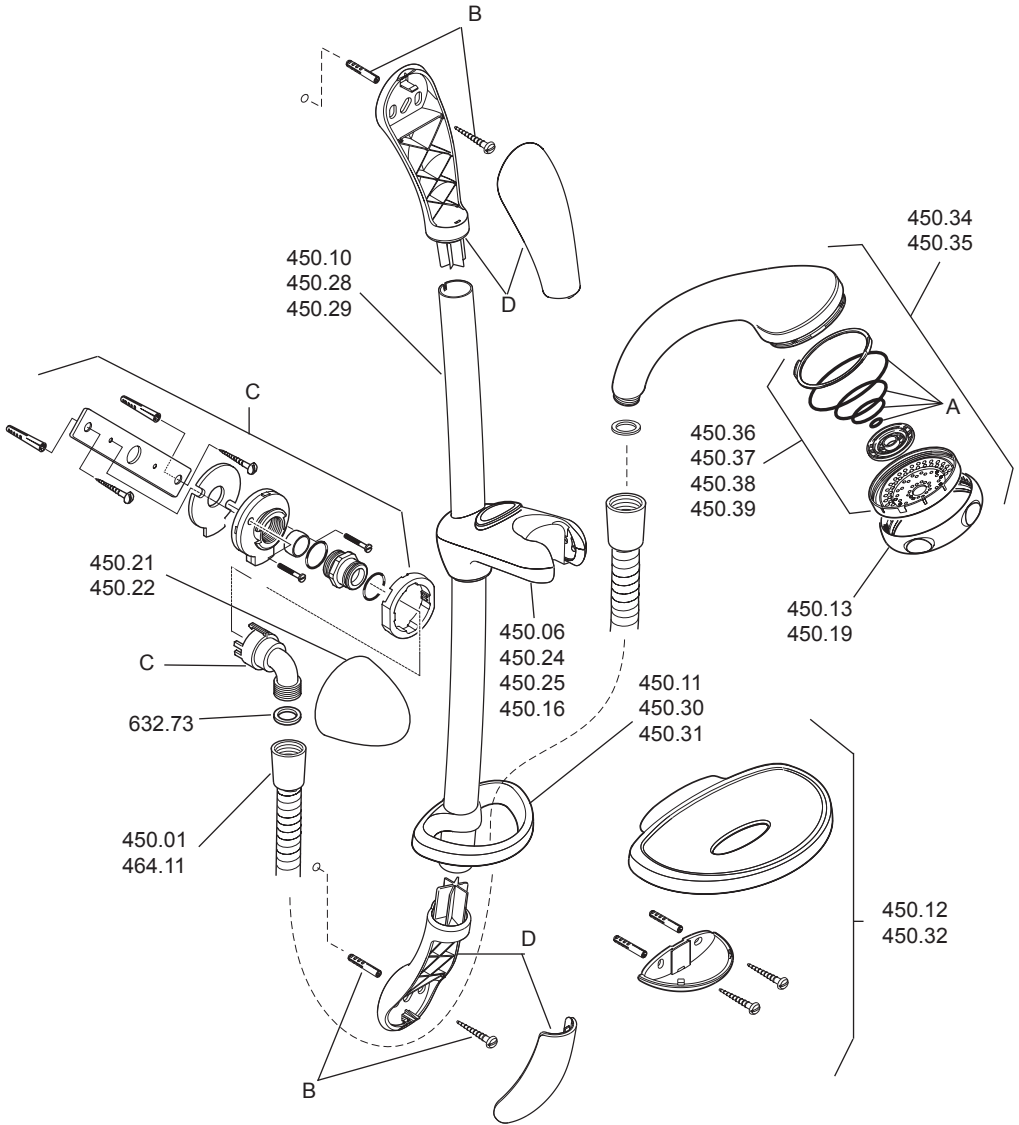


# SPARES

## Mira Logic ev and biv Spares List

450.01	Hose 1.25 m – chrome
450.06	Clamp Bracket Assembly – (for fittings supplied with Mira Event XS / Sport)
450.08	Service Pack 'O' seals– components identified 'A'
450.10	Slide Bar – white
450.11	Hose Retaining Ring – white
450.12	Soap Dish Pack – white
450.13	Adjuster Ring – white
450.16	Clamp Bracket Assembly – white
450.17	Slide Bar Wall Fixing Pack– components identified 'B'
450.19	Adjuster Ring – chrome
450.20	Right Angled Connector Mounting Pack – components identified 'C'
450.21	Right Angled Connector Shroud – white
450.22	Right Angled Connector Shroud – chrome
450.24	Clamp Bracket Assembly – chrome
450.25	Clamp Bracket Assembly – satin chrome
450.26	Slide Bar Support Assembly – white – components identified 'D'
450.27	Slide Bar Support Assembly – chrome – components identified 'D'
450.28	Slide Bar – chrome
450.29	Slide Bar – gold
450.30	Hose Retaining Ring – chrome
450.31	Hose Retaining Ring – satin chrome
450.32	Soap Dish Pack – chrome
450.34	Adjustable Handset Assembly – white
450.35	Adjustable Handset Assembly – chrome
450.36	LC Spray Plate Pack – for white & white/gold fittings
450.37	HC Spray Plate Pack – for white & white/gold fittings
450.38	LC Spray Plate Pack – for chrome & satin chrome fittings
450.39	HC Spray Plate Pack – for chrome & satin chrome fittings
464.11	Hose 1.75 m – chrome (for Mira Excel Thermostatic BSM)
632.73	Hose Washer

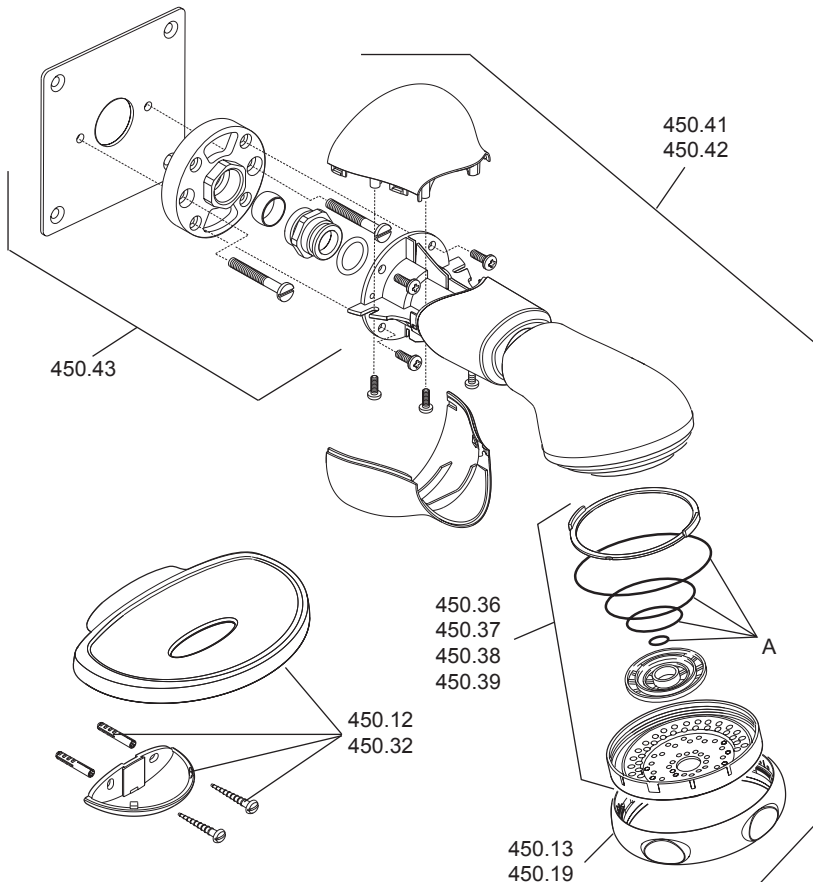
# Mira Logic ev and biv Spares Diagram



## Mira Logic bir Spares List

450.08	Service Pack 'O' seals – components identified 'A'
450.12	Soap Dish Pack – white
450.13	Adjuster Ring – white
450.19	Adjuster Ring – chrome
450.32	Soap Dish Pack – chrome
450.36	LC Spray Plate Pack – white
450.37	HC Spray Plate Pack – white
450.38	LC Spray Plate Pack – chrome
450.39	HC Spray Plate Pack – chrome
450.41	bir Assembly – white
450.42	bir Assembly – chrome
450.43	bir Mounting Pack (Consisting of Back Plate Nut, 'O' Seal, Olive, Back Plate, Wallplate, 2 M5 x 40 Screws and 4 M4 x 12 Screws)

## Mira Logic bir Spares Diagram



# CUSTOMER SERVICE

## Guarantee

Your product has the benefit of our manufacturer's guarantee which starts from the date of purchase.

To activate this guarantee, please return your completed registration card, visit our website or free phone 0800 0731248 within 30 days of purchase (UK only).

Within the guarantee period we will resolve defects in materials or workmanship, free of charge, by repairing or replacing parts or product as we may choose.

**This guarantee is in addition to your statutory rights and is subject to the following conditions:**

- The guarantee applies solely to the original installation under normal use and to the original purchaser only. The product must be installed and maintained in accordance with the instructions given in this user guide.
- Servicing must only be undertaken by us or our appointed representative. **Note!** if a service visit is required the product must be fully installed and connected to services.
- Repair under this guarantee does not extend the original expiry date. The guarantee on any replacement parts or product ends at the original expiry date.
- For shower fittings or consumable items we reserve the right to supply replacement parts only.

### The guarantee does not cover:

- Call out charges for non product faults (such as damage or performance issues arising from incorrect installation, improper use, inappropriate cleaning, lack of maintenance, build up of limescale, frost damage, corrosion, system debris or blocked filters) or where no fault has been found with the product.
- Water or electrical supply, waste and isolation issues.
- Compensation for loss of use of the product or consequential loss of any kind.
- Damage or defects caused if the product is repaired or modified by persons not authorised by us or our appointed representative.
- Routine maintenance or replacement parts to comply with the requirements of the TMV 2 or TMV 3 healthcare schemes.
- Accidental or wilful damage.
- Products purchased ex-showroom display.

## What to do if something goes wrong

If your product does not work correctly refer to this manual for fault diagnosis and check that it is installed and commissioned in accordance with our instructions. If this does not resolve the issue, contact us for help and advice.

## Extended Guarantees

A selection of protection plans are available that enable you to cover repair bills (excludes Eire). Ring 01922 471763 for more details.



**Helpdesk Service** - Ring our Customer Services Team for product advice, to purchase spare parts or accessories or to set up service visit. You can contact us via phone or e-mail, details below. Please provide your model name, power rating (if applicable) and date of purchase.



**Mira Showers Website ([www.mirashowers.co.uk](http://www.mirashowers.co.uk))**

Visit our website to register your guarantee, download user guides, diagnose faults, purchase our full range of accessories and popular spares, or request a service visit.



**Spares and Accessories** - We hold the largest stocks of genuine Mira spares and accessories. Contact us for a price or visit our website to purchase items from our accessory range and popular spares.



**Service/Repairs** - No one knows our products better than our nationwide team of Service Technicians. We can carry out service or repair work to your product both during and after the guarantee period. Ask about our fixed price service repairs.

## To Contact Us: UK



**0844 571 5000**



**Fax: 01242 282595**



E-mail: Visit [www.mirashowers.co.uk/contactus](http://www.mirashowers.co.uk/contactus)



Mira Customer Services Dept, Cromwell Road, Cheltenham, Gloucestershire, GL52 5EP

## To Contact Us: Eire Only



**01 531 9337**



E-mail: [CustomerServiceEire@mirashowers.com](mailto:CustomerServiceEire@mirashowers.com)

Mira is a registered trade mark of Kohler Mira Limited.

The company reserves the right to alter product specifications without notice.



**mira**  
SHOWERS