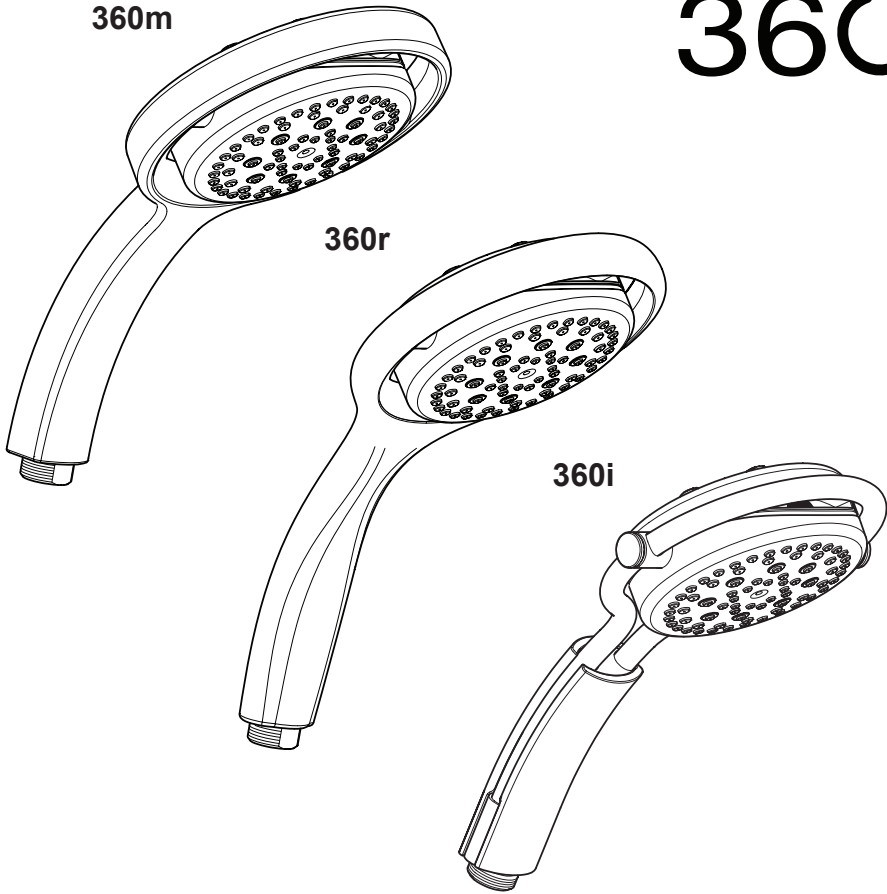


mira

360



With **Flipstream** Technology
1 flip action, 4 unique sprays

MIRA 360m SHOWERHEAD
MIRA 360r SHOWERHEAD
MIRA 360i SHOWERHEAD

INSTALLATION & USER GUIDE

These instructions must be left with the user.

INTRODUCTION

Introduction

Thank you for purchasing a quality Mira product. To enjoy the full potential of your new product, please take time to read this guide thoroughly, having done so, keep it handy for future reference.

Mira showerheads are designed to give a satisfactory shower over a range of pressures. These showerheads are suitable for pressures between 0.1 and 5.0 bar.

General

1. Installations must comply with Water Regulations (Bye-Laws, Scotland), and any other Local Regulations and Building Regulations in force at the time of installation.
2. Before installation carefully inspect the product for any signs of damage.

Guarantee

For **domestic installations**, Mira Showers guarantee the products listed in this guide against any defect in materials or workmanship for a period of **one** year from the date of purchase.

For terms and conditions refer to the back cover of this guide.

Patents and Design Registration

Patent Applications:

UK: 0715612.8, 0804172.5
World: PCT/GB2008/002703

Design Registration:

Europe: 001004022

If you experience any difficulty with the installation or operation of your new showerhead, please refer to '**Fault Diagnosis**', before contacting Kohler Mira Ltd. Our contact details can be found on the back cover of this guide.

FLOW RATES

The flow rates for the Mira 360 showerheads are listed below.

Spray Pattern	Inlet Pressure 0.5 bar	Inlet Pressure 0.1 bar
Rain	12.3 l/min	5.4 l/min
Storm	11.5 l/min	5 l/min
Burst	7 l/min	3.3 l/min
Cloud	4.2 l/min	
Cloud LC		2.7 l/min

USER MAINTENANCE

If you require a Mira trained service engineer or agent, refer to section: '**Customer Services**'.

Fault Diagnosis

Symptom:

- *Sprayplate assembly blocked.*

Cause / Rectification:

- *Clean the sprayplate.*
-

Symptom:

- *Drip from sprayplate assembly.*

Cause / Rectification:

- *A small amount of water may be retained in the showerhead after the shower control has been turned off. This may drain over a few minutes. Changing the angle of the showerhead may vary the draining time.*
-

Symptom:

- *Poor spray pattern from the Cloud sprayplate assembly.*

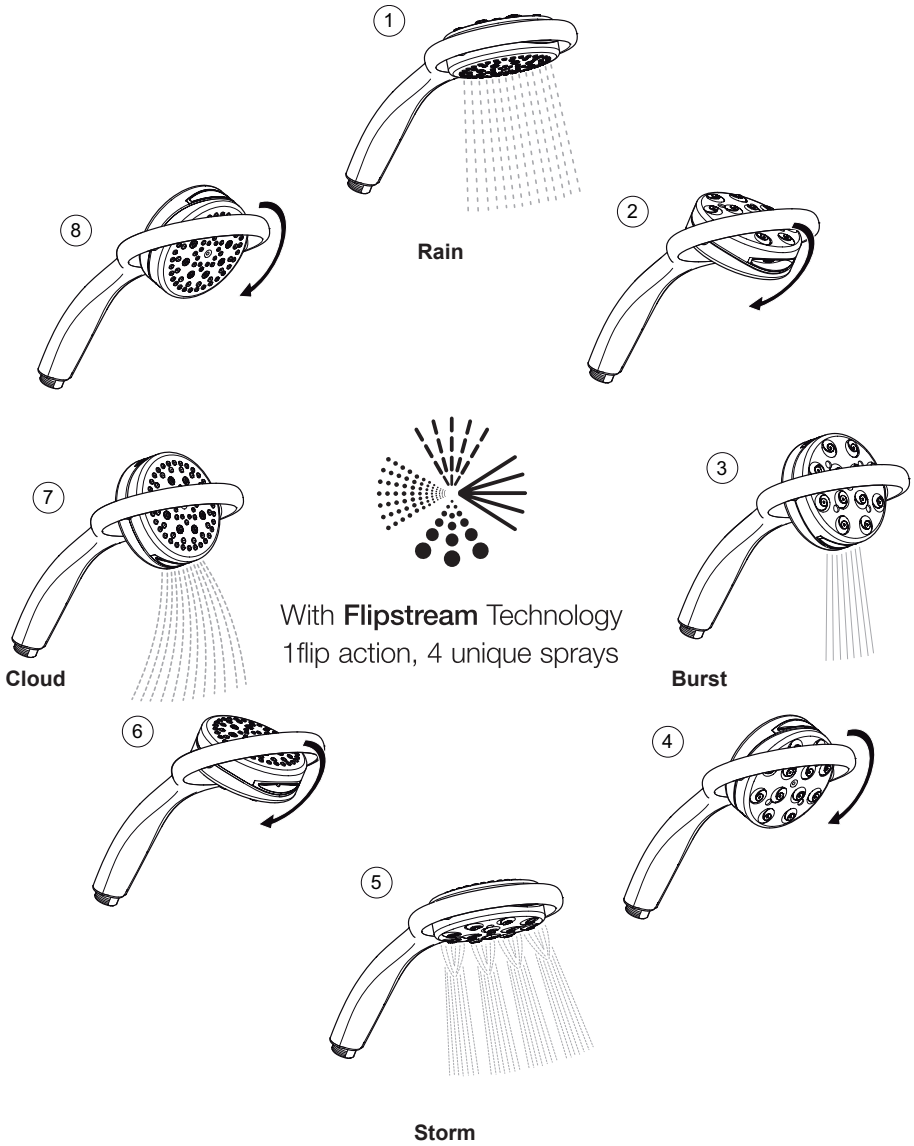
Cause / Rectification:

- *Change the Cloud sprayplate assembly for the LC (Low Capacity) version.*

Caution! The LC Sprayplate **must** not be used on electric showers

OPERATION

Turn the showerhead in the direction shown to activate the different spray patterns.



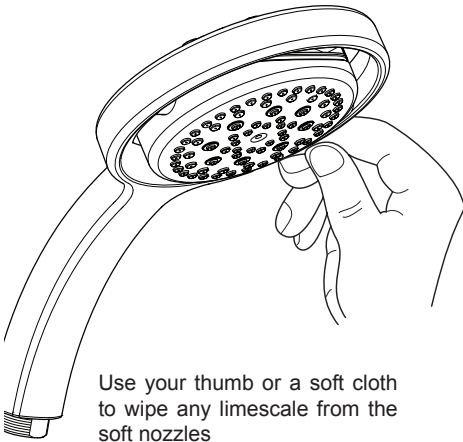
Cleaning

Many household cleaners contain abrasives and chemical substances, and should not be used for cleaning plated or plastic fittings.

These finishes should be cleaned with a mild washing up detergent or soap solution, and then wiped dry using a soft cloth.

Use your thumb or a soft cloth to wipe any limescale from the soft nozzles and the front surface of the showerhead sprayplate.

Important! The sprayplate **must** be regularly cleaned to make sure that the showerhead does not become blocked.



Cleaning the Sprayplate Assembly

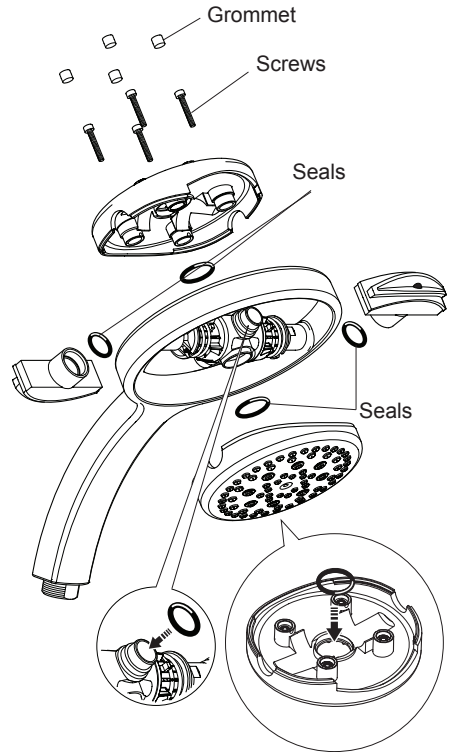
Spray Plate Assembly

1. Use a suitable tool to remove the grommets.
2. Using the 2.5 mm hexagonal wrench (supplied), remove the screws.
3. Separate the sprayplate assembly into its individual components.

4. Clean or replace components as necessary.

Note! Make sure that the seals are located correctly.

5. Reassemble the components in reverse order.



Replacing the Sprayplate or Seals

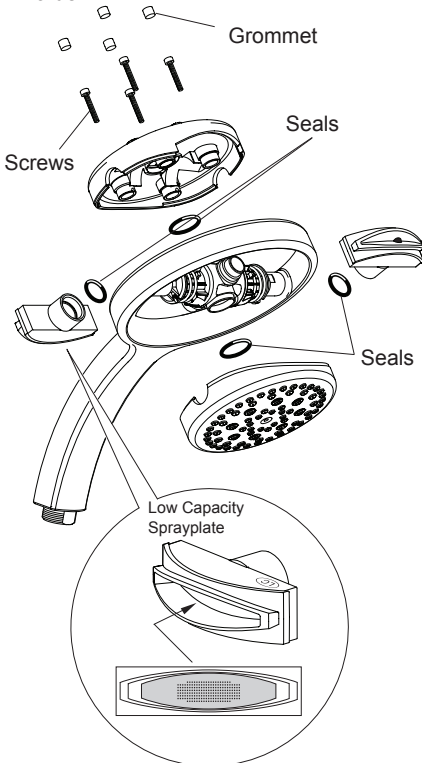
Cloud Spray Plate Assembly

This product is supplied configured for the majority of showering systems including electric showers.

Note! for showers with a pressure of below 0.15 bar (1.5 metre head) it might be necessary to change the Cloud sprayplate assembly for the LC (Low Capacity) version in order to achieve a suitable spray pattern.

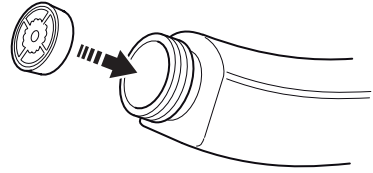
Caution! The LC sprayplate **must** not be used on electric showers

1. Use a suitable tool to remove the grommets.
2. Using the 2.5 mm hexagonal wrench (supplied), remove the screws.
3. Separate the sprayplate assembly into its individual components.
4. Replace the Cloud assembly sprayplate with the LC version.
5. Reassemble the components in reverse order.



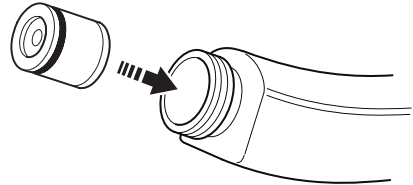
Replacing the Cloud Sprayplate Assembly

ACCESSORIES

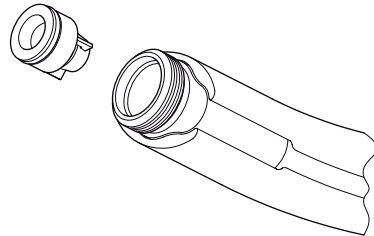


Flow Regulator (12 L/min - Red) - 1641.059

If your shower has no flow control, you may find operation of the shower on high pressure systems too forceful. Fitting a flow regulator in the showerhead will reduce this.



Checkvalve (360m and 360r) - 1688.282



Checkvalve (360i) - 1688.283

To comply with UK Water Regulations you must make provision to prevent the backflow of waste water through the shower.

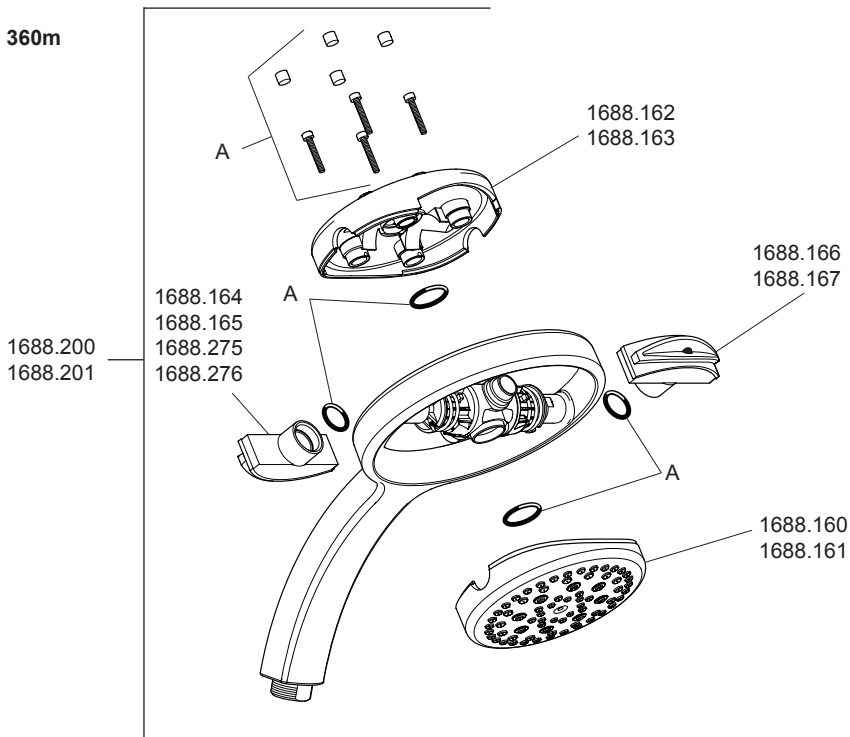
A hose retaining ring will allow compliance but may restrict full use of the hose.

However, if your mixer shower is already fitted with single inlet checkvalves then fitting the extra showerhead checkvalve will allow compliance without the need for the hose retaining ring.

SPARE PARTS

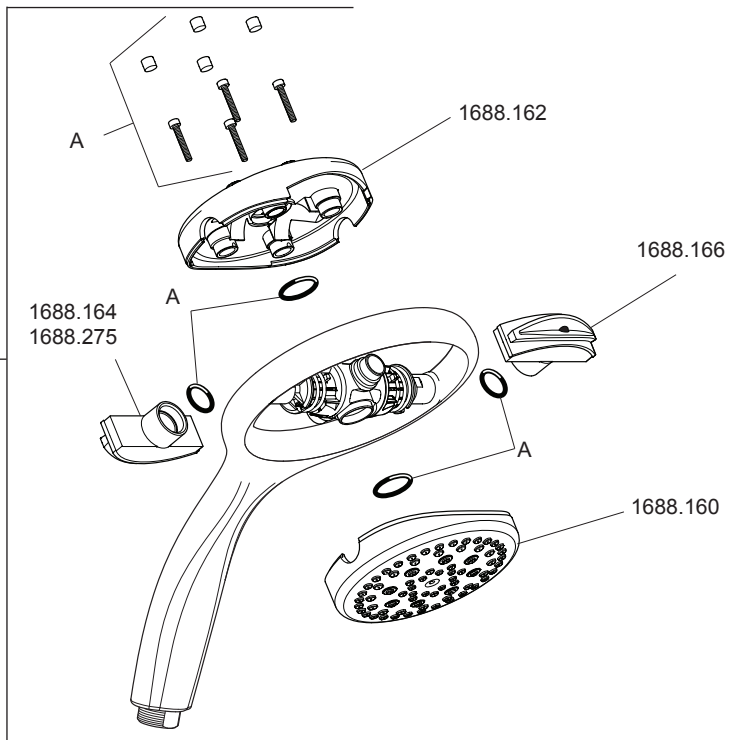
Spare part numbers are indicated in bold and are available from authorised stockists or merchants (locations on request) or direct from Mira Customer Services, our contact details can be found on the back cover of this guide.

575.12	Hexagonal Wrench - 2.5 mm (not illustrated)
1688.160	Rain Assembly - white
1688.161	Rain Assembly - black
1688.162	Storm Assembly - white
1688.163	Storm Assembly - black
1688.164	Cloud Assembly - white
1688.165	Cloud Assembly - black
1688.166	Burst Assembly - white
1688.167	Burst Assembly - black
1688.372	Seal & Screw Pack - components identified 'A'
1688.169	360i Handle
1688.200	360m Showerhead - chrome/white
1688.201	360m Showerhead - chrome/black
1688.202	360r Showerhead - chrome/white
1688.203	360r Showerhead - white
1688.204	360i Showerhead - chrome/black
1688.275	Cloud Assembly LC (Low Capacity) - white
1688.276	Cloud Assembly LC (Low Capacity) - black



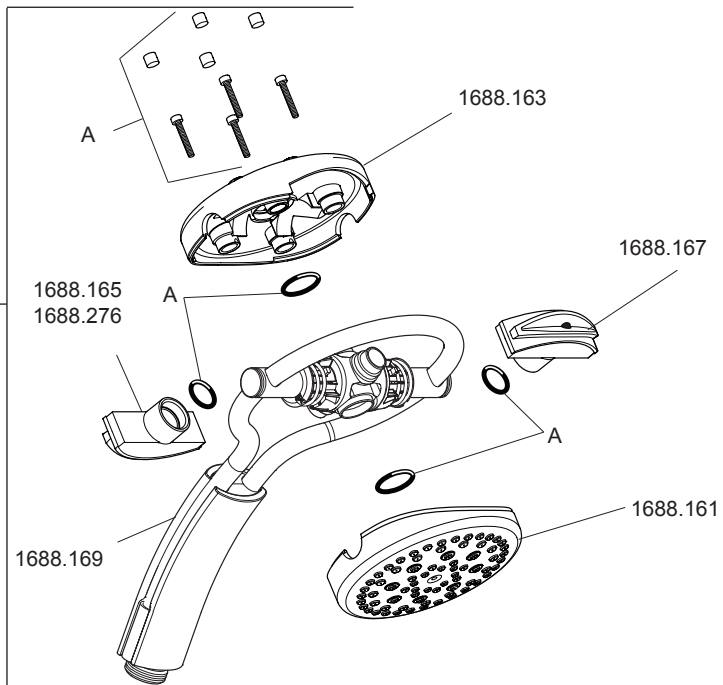
360r

1688.202
1688.203



360i

1688.204



CUSTOMER SERVICE

Guarantee

Your product has the benefit of our one year manufacturer's guarantee which starts from the date of purchase.

Within the guarantee period we will resolve defects in materials or workmanship, free of charge, by repairing or replacing parts or product as we may choose.

This guarantee is in addition to your statutory rights and is subject to the following conditions:

- The product must be installed and maintained in accordance with the instructions given in this user guide.
- Replacement under this guarantee does not extend the original expiry date. The guarantee on any replacement parts or product ends at the original expiry date.

The guarantee does not cover:

- Non product faults (such as damage or performance issues arising from incorrect installation, improper use, inappropriate cleaning, lack of maintenance, build up of limescale, frost damage, corrosion, system debris or blocked filters) or where no fault has been found with the product.
- Accidental or wilful damage.
- Compensation for loss of use of the product or consequential loss of any kind.
- Damage or defects caused if the product is repaired or modified by persons not authorised by us or our appointed representative.

What to do if something goes wrong

If your product does not function correctly when you first use it, check that it is installed and commissioned in accordance with the instructions in this manual.

If this does not resolve the issue, contact our Customer Services Team who will offer you or your installer help and advice.

If you experience problems, check in this manual to see if simple home maintenance is required. If you require further assistance call our Customer Services Team.

Helpdesk Service

Our Customer Services Team is comprehensively trained and can offer help and advice, spare parts and accessories. We will need you to have your model name or number and date of purchase. As part of our quality and training programme calls may be recorded or monitored.

Mira Showers Website (www.mirashowers.co.uk)

From our website you can download additional user guides, diagnose faults, purchase our full range of accessories and popular spares, refer to our FAQ's.

Spares and Accessories

We maintain extensive stocks of genuine spares and accessories and aim to provide support throughout the product's expected life.

Payment can be made by phone at time of order using most major Credit or Debit cards and we aim to despatch orders within 2 working days. Items purchased from us are guaranteed for 12 months from date of purchase.

Returns – items can be returned within one month of date of purchase, providing that they are in good condition and the packaging is unopened. If you wish to return any items please notify us in writing within seven days of receipt.

To Contact Us

UK

Telephone: 0844 571 5000

E-mail: technical@mirashowers.com

Fax: 01242 282595

By Post: Mira Customer Services Dept, Cromwell Road, Cheltenham, Gloucestershire, GL52 5EP

Eire

Telephone: 01 459 1344

E-mail: sales@modernplant.ie

Fax: Dublin 01 459 2329

By Post: Modern Plant Ltd (Dublin), Otter House, Naas Road, Clondalkin, Dublin 22

Mira is a registered trade mark of
Kohler Mira Limited.

The company reserves the right to alter
product specifications without notice.



FM 14648

mira
SHOWERS