

MIRA ADVANCE NG FLEX OCT 17

Spares

Fittings



G = 8.7kW Prod Part Number(1.1785.003)
Module number 4.1785.602
K = 9.8kW Prod Part Number(1.1785.004)
Module number 4.1785.603

Mira Clearscale Pro™ technology
Reduces Limescale by up to 85%

Product Code:-	J09 G & K
Colour:-	White/Black/Chrome
Fittings:-	L21A/B 110mm 3 spray head
Thermostatic:-	Yes
Pressures:-	Min maintained 0.5 bar (For BEAB care 1 bar) Max maintained 5 bar Max static 10 bar
Warranty:-	Shower 2Yrs Fittings 1YR
Weight:-	

Links:

IOM - [1306246-W2-A Mira Advance NG Installation Guide](#)

User Guide - [1306246-W5-A Mira Advance User Guide](#)

Fittings Guide - [1298649-W2-B Mira Advance NG Fittings](#)

Data Sheet - None

Inserts - None

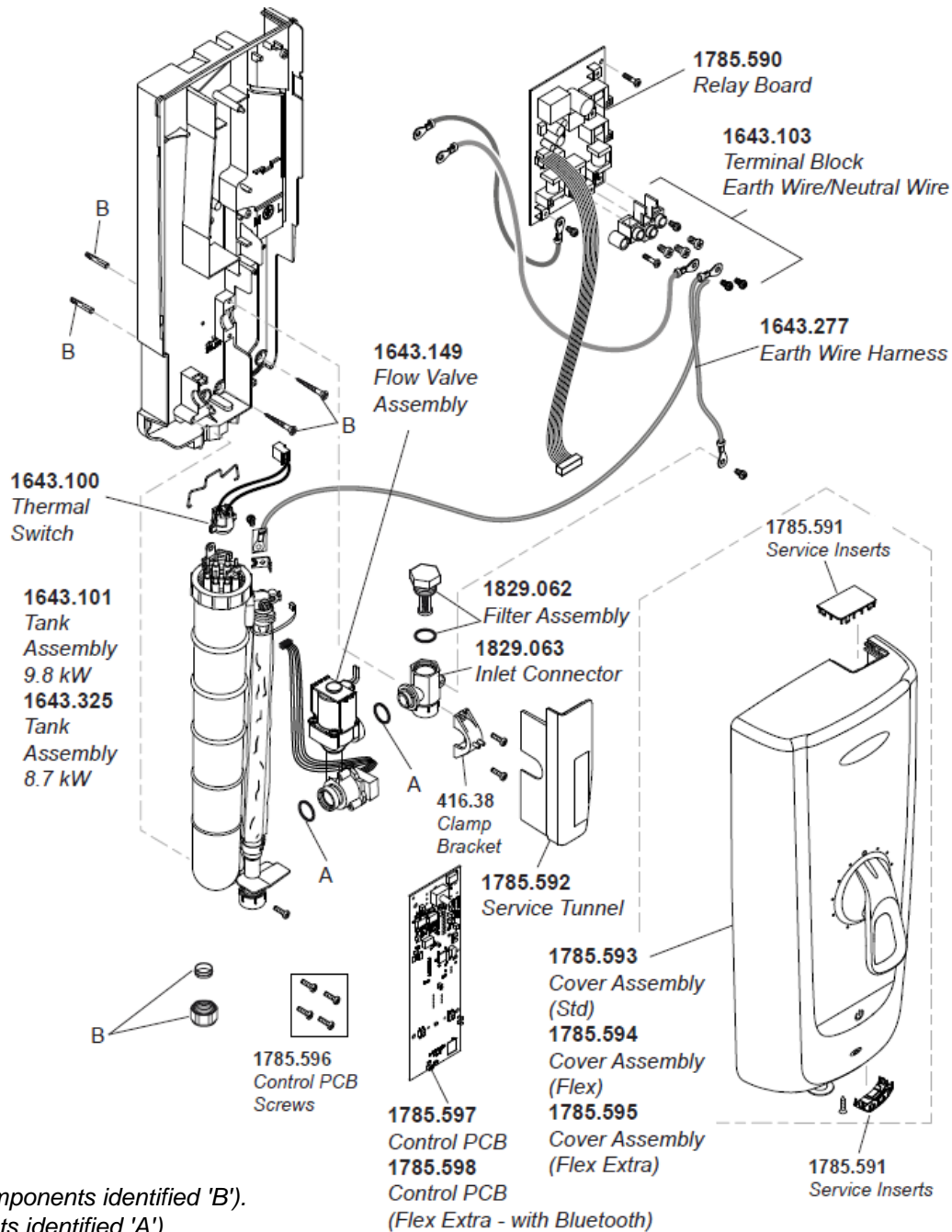
Error Codes - [Click](#)

Carton Information - None

Template - None

Dimensions - [Click](#)





1643.113 Component Pack (components identified 'B').

1643.148 Seal Pack (components identified 'A').

1785.597
Control PCB

1785.598
Control PCB

(Flex Extra - with Bluetooth)

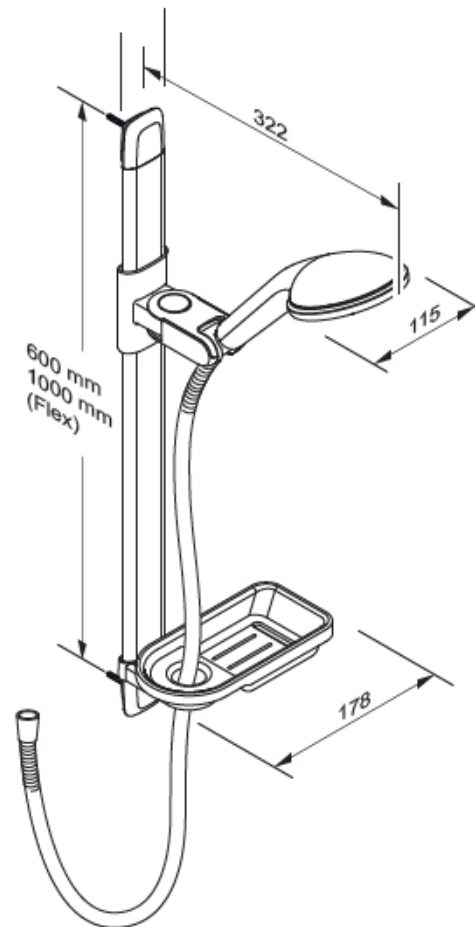
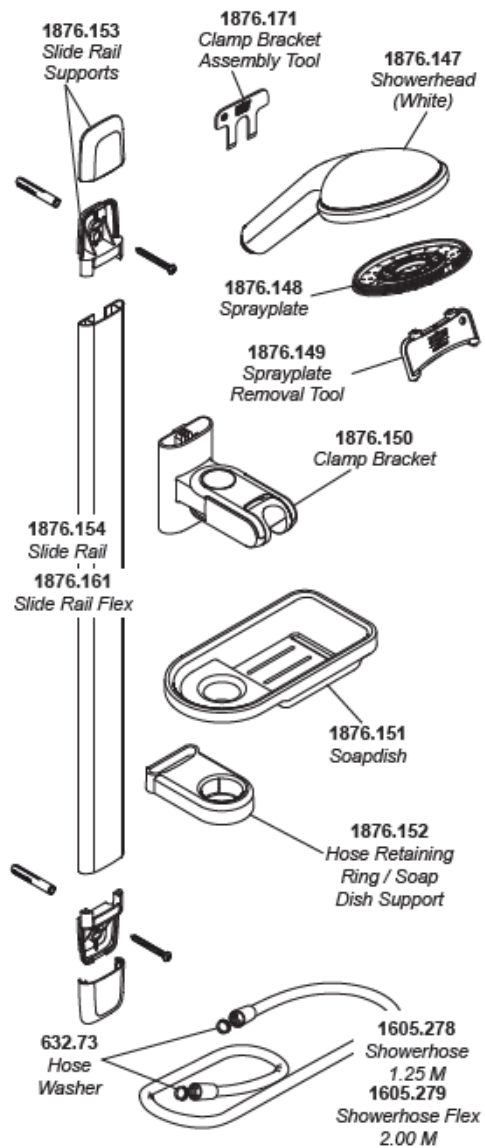
1785.593
Cover Assembly
(Std)

1785.594
Cover Assembly
(Flex)

1785.595
Cover Assembly
(Flex Extra)

1785.591
Service Inserts

MIRA ADVANCE NG FLEX FITTINGS



Back

MIRA ADVANCE NG DIMENSIONS

Dimensions (shower unit)	
Height	408 mm
Width	187 mm
Depth	Flex : 112 mm , Standard : 105mm