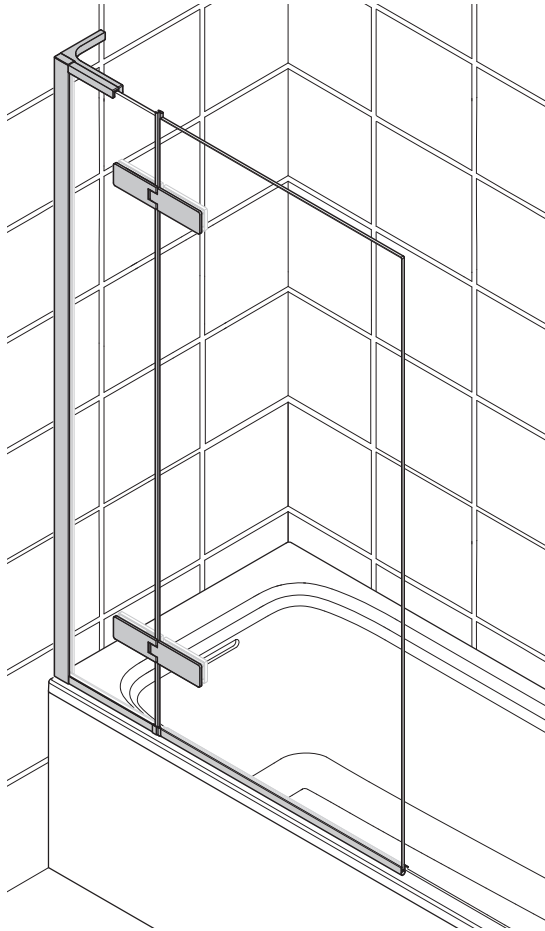


Hinged Bath Screen



These instructions must be left with the user

Installation Guide

Introduction

Thank you for purchasing a quality product. To enjoy the full potential of your new product, please take time to read this guide thoroughly, having done so, keep it handy for future reference.

The following pages aim to provide comprehensive installation instructions, plus advice on how to care and maintain your product.

We recommend that the unit is installed by a qualified plumber or engineer.

General Information

General

1. Read all of these instructions and retain this guide for later use.
2. Pass on this guide in the event of change of ownership of the installation site.
3. Follow all warnings, cautions and instructions contained in this guide.
4. Remove all protective tape from the enclosure before installation.
5. Excessive flow rates may lead to overflowing and leaking.
6. Water Spray may extend beyond the entrance of walk-in enclosures and we recommend tiling of the adjacent area.
7. We recommend a drainage test is carried out to ensure the waste is adequate for the flow delivered.
8. Doors that open outwards may drip water onto floor, ensure the floor covering will not be affected by water.

Safety Information

1. Care should be taken when drilling into walls and floors to avoid any hidden pipes or wires.
2. We strongly recommend that all glass panels are moved by a minimum of two people and that any protective packaging along the glass edges is kept in place for as long as possible to prevent damage before installation.
3. During installation we recommend additional help in lifting heavy doors and side panels.
4. Wear protective footwear when lifting panels.
5. Wear safety glasses when drilling.

Before Fitting the Bath Screen

1. Ensure the bath is level and walls are vertical and square.
2. Shower fittings should be positioned such that water discharges down the centre line of a bath or across the opening of a shower cubicle door.
3. Ensure water is not directed at the bath screen. This could result in water spraying outside of the enclosure.
4. Ensure there is a complete silicone seal between the bath and finished wall.
5. Ensure the bath screen is undamaged and no parts are missing.
6. Ensure the size of the bath screen is suitable for the installation. Tempered safety glass cannot be cut.
7. Ensure nothing can impact the bath screen during usage.

When Fitting the Bath Screen

1. The wall channels must be installed onto a tiled or waterproof finished flat and even wall surface. Failure to do so will result in an unsatisfactory seal, which may cause property damage.
2. We recommend our bath screen are fitted onto a bath.
Warning! The use of grout/tile cleaners, scale removers, abrasive scourers, drain unblockers and other powerful detergents may lead to damage of metallic, plated and plastic surfaces, including the tray and shower waste.

Use of the Bath Screen

1. High water pressure and flow may lead to excessive splashing causing water to escape outside of the bath screen.
2. In certain circumstances such as cleaning, water sprayed directly at the seals and hinges may escape outside of the bath screen.
3. Please note, this bath screen is designed to be splash resistant only, it will never be completely water tight. During use, some water is to be expected on the outside of the screen.

Guarantee

Your enclosure has the benefit of our guarantee which starts from date of purchase. For terms and conditions refer to the guarantee booklet packed with the product.

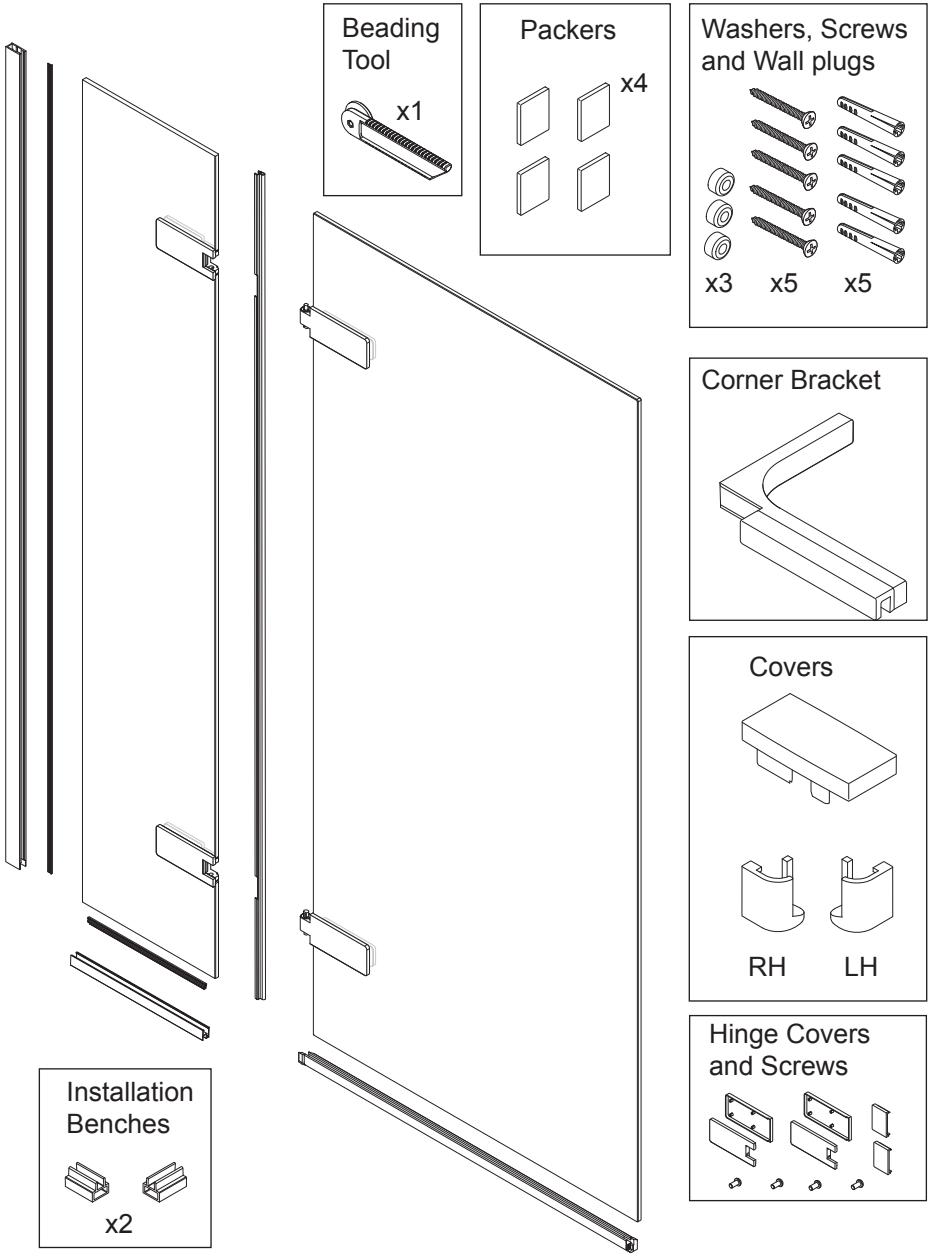
Recommended Usage

Domestic	✓
Light Commercial	✓
Heavy Commercial	✗
Healthcare	✗

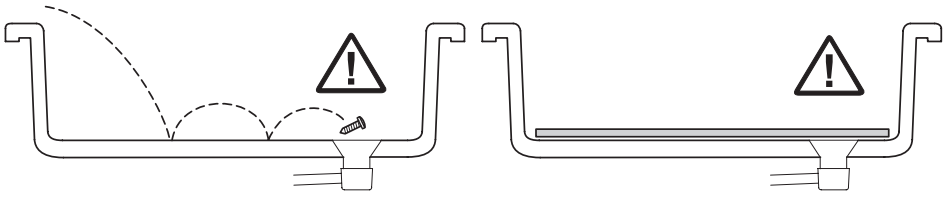
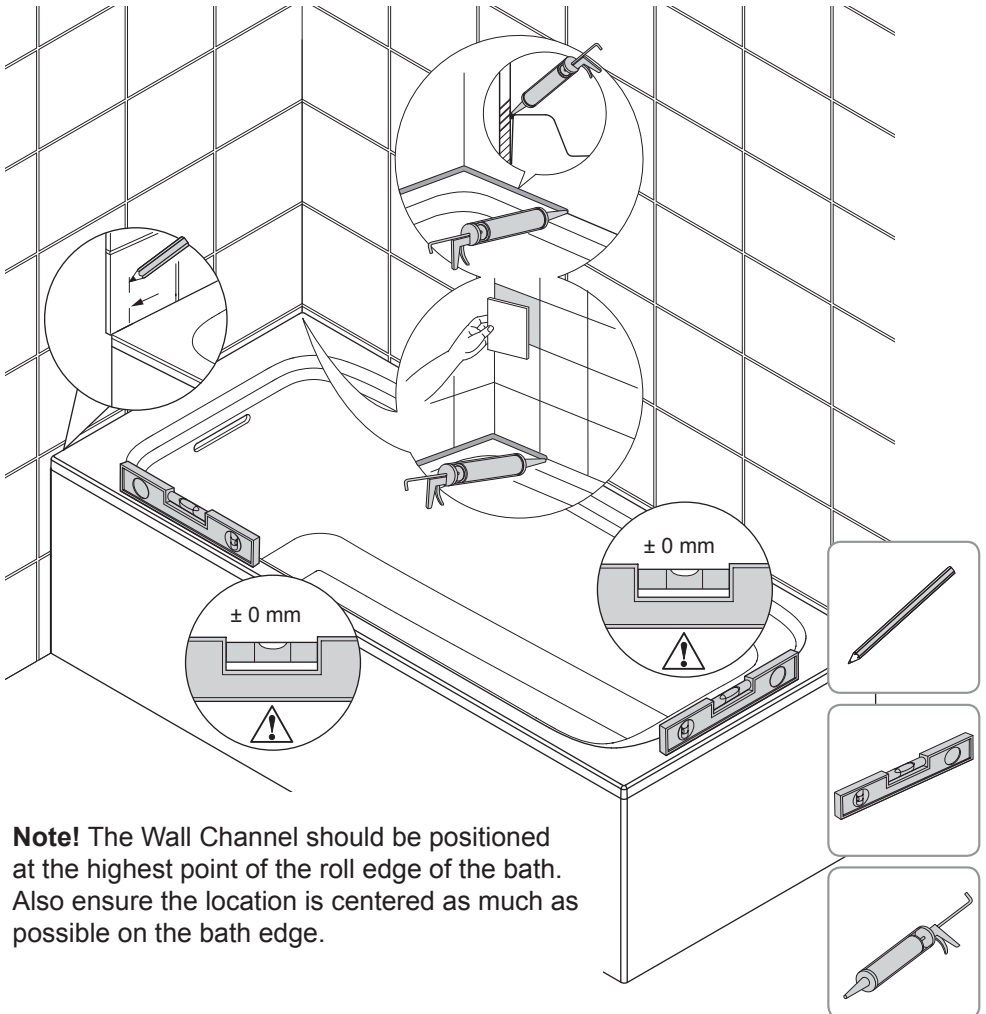
Tools Required



Pack Contents

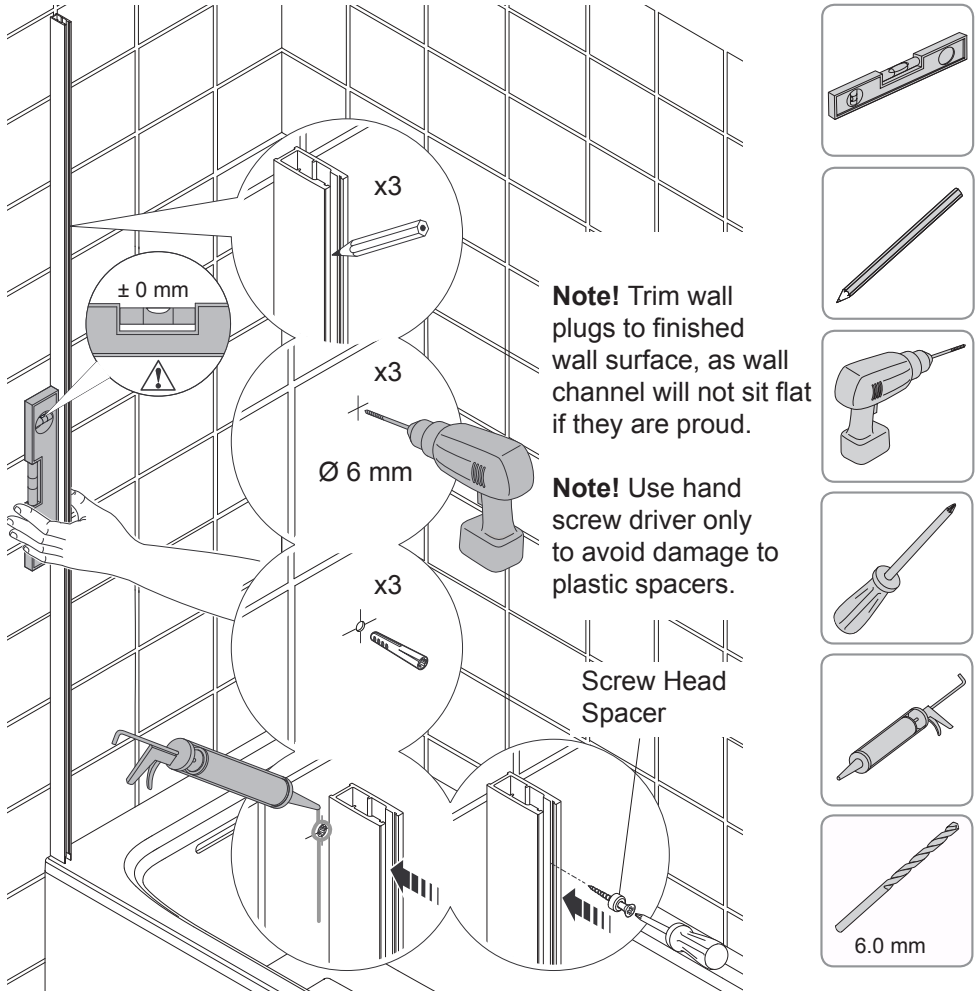


Installation


1


Note! The Wall Channel should be positioned at the highest point of the roll edge of the bath. Also ensure the location is centered as much as possible on the bath edge.

2



Note! Trim wall plugs to finished wall surface, as wall channel will not sit flat if they are proud.

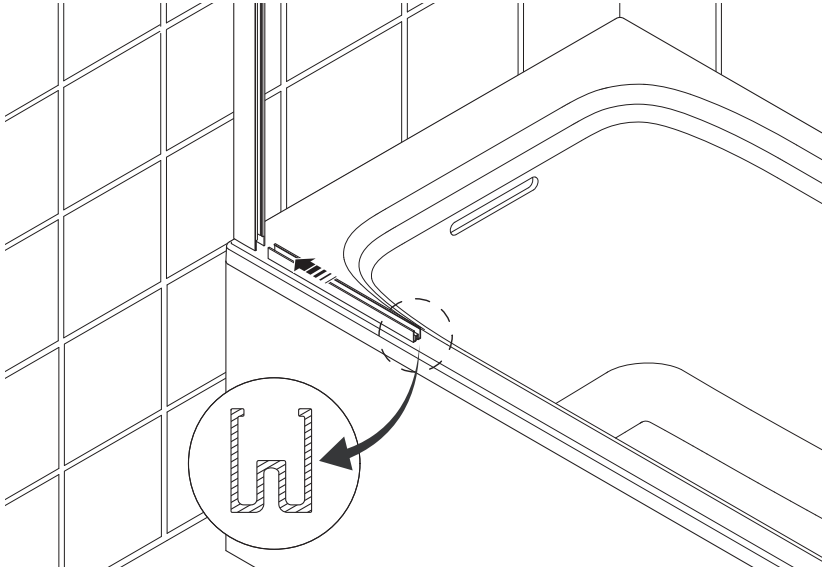
Note! Use hand screw driver only to avoid damage to plastic spacers.

Screw Head Spacer

- (a) Position the wall channel on the wall such that the cut out should be at the bottom. Using a spirit level make sure that it is upright.
- (b) Mark the position of the fixing holes, then remove the wall channel.
- (c) Drill with a 6 mm masonry bit (not supplied) and plug using the wall plugs (supplied).
- (d) Position the wall channel on the wall and partially install the fixing screws. Make sure that the spacers are installed on the screws.
- (e) Apply silicone sealant according to the manufacturers instructions along the length of the wall and at the bottom of the wall channel.
- (f) Fully tighten the fixing screws, making sure that the wall channel is upright.

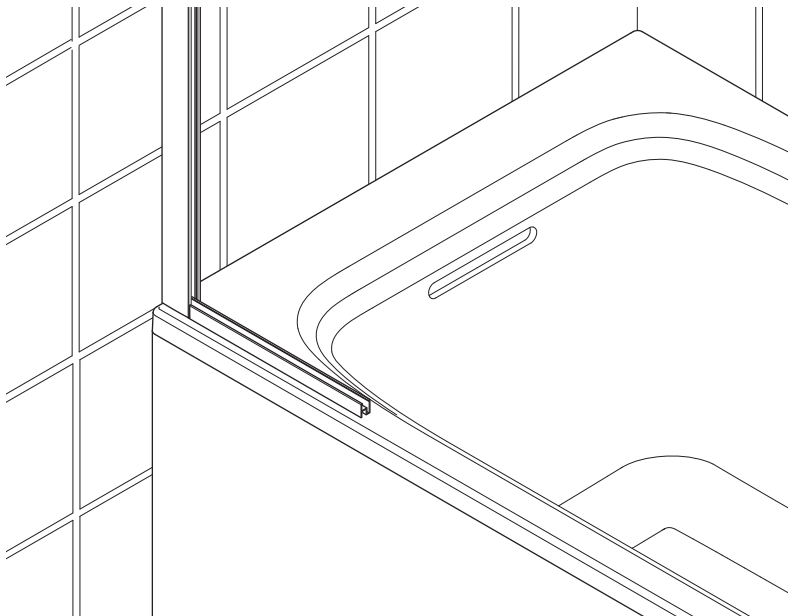
3 Note! Track should be equidistant from the edge of the bath.

a



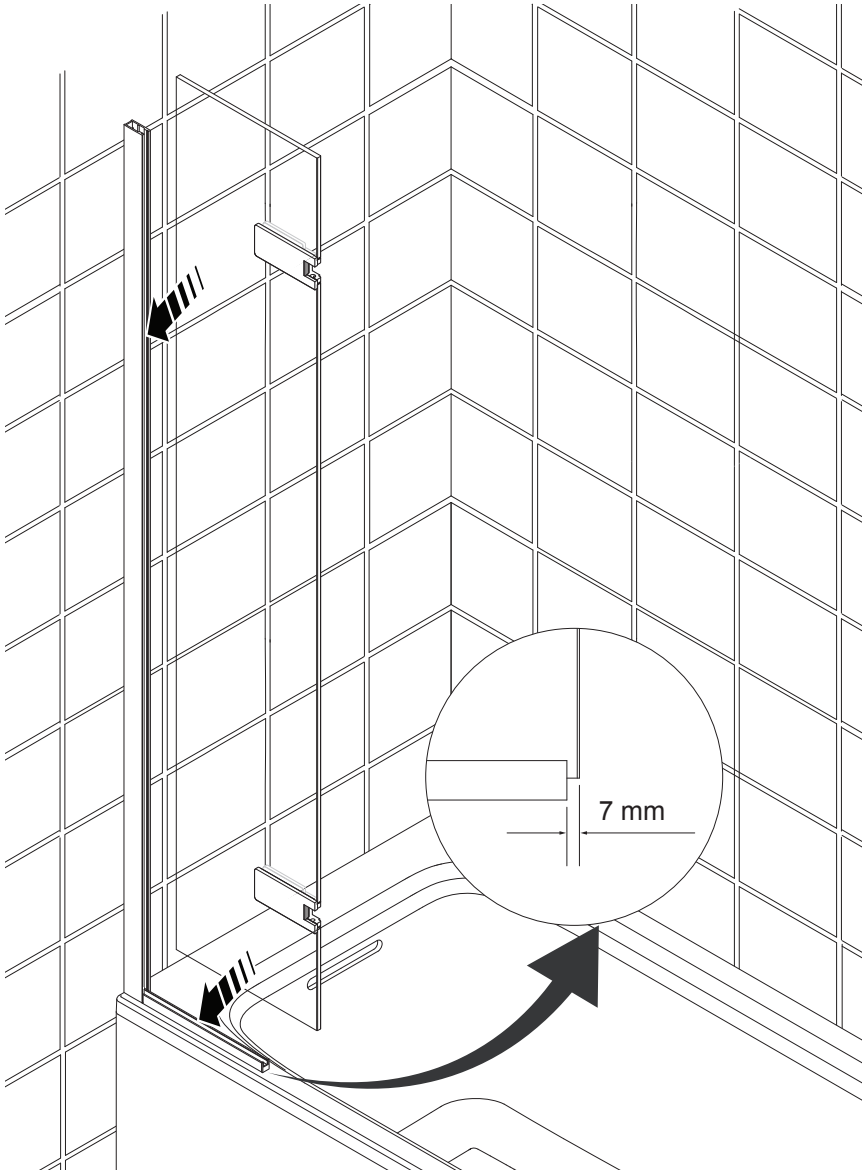
(a) Remove liner from the 3M tape on underside of the track.

b



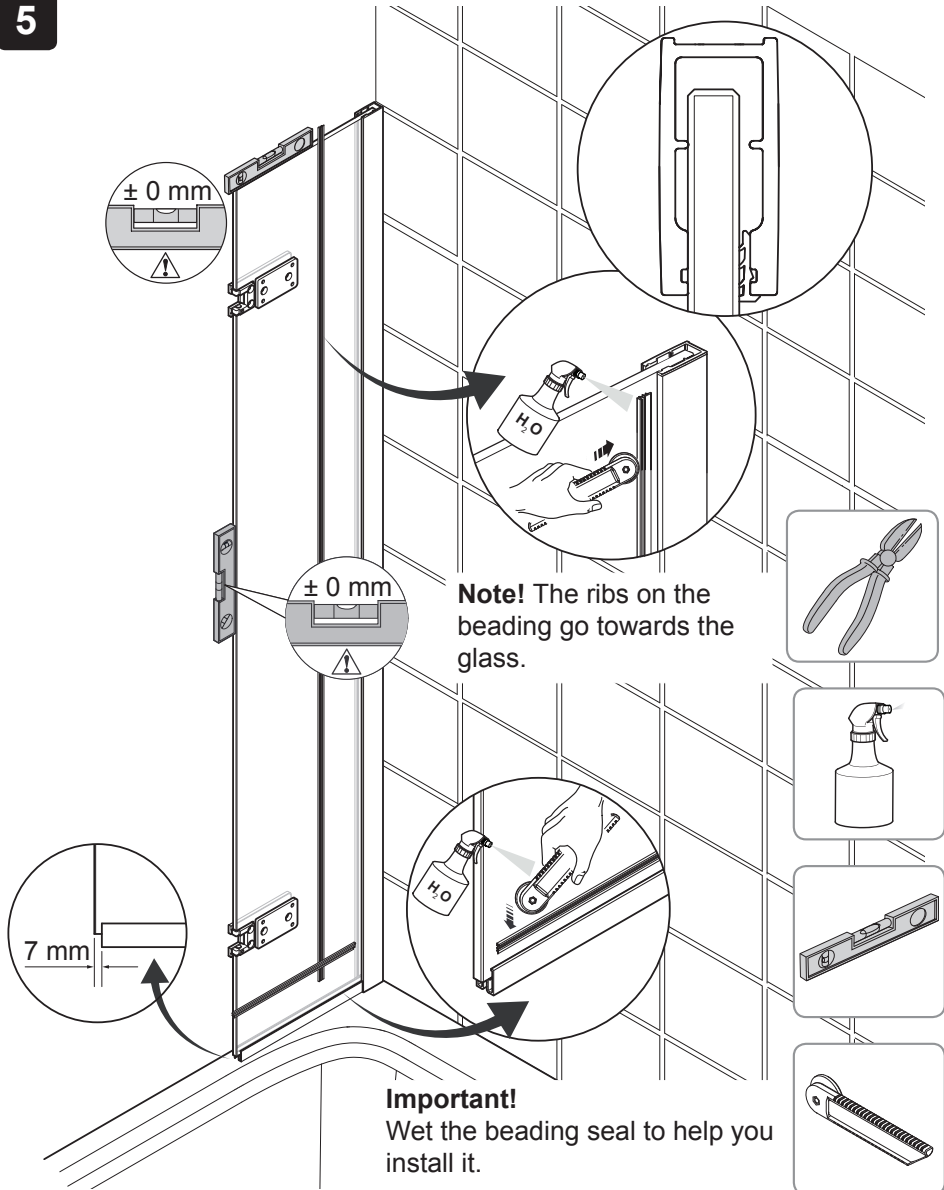
(b) Push the track into the wall channel and locate it along the bath edge.

4 Note! Ensure label marked **OUTSIDE** is on the outside of the bath.



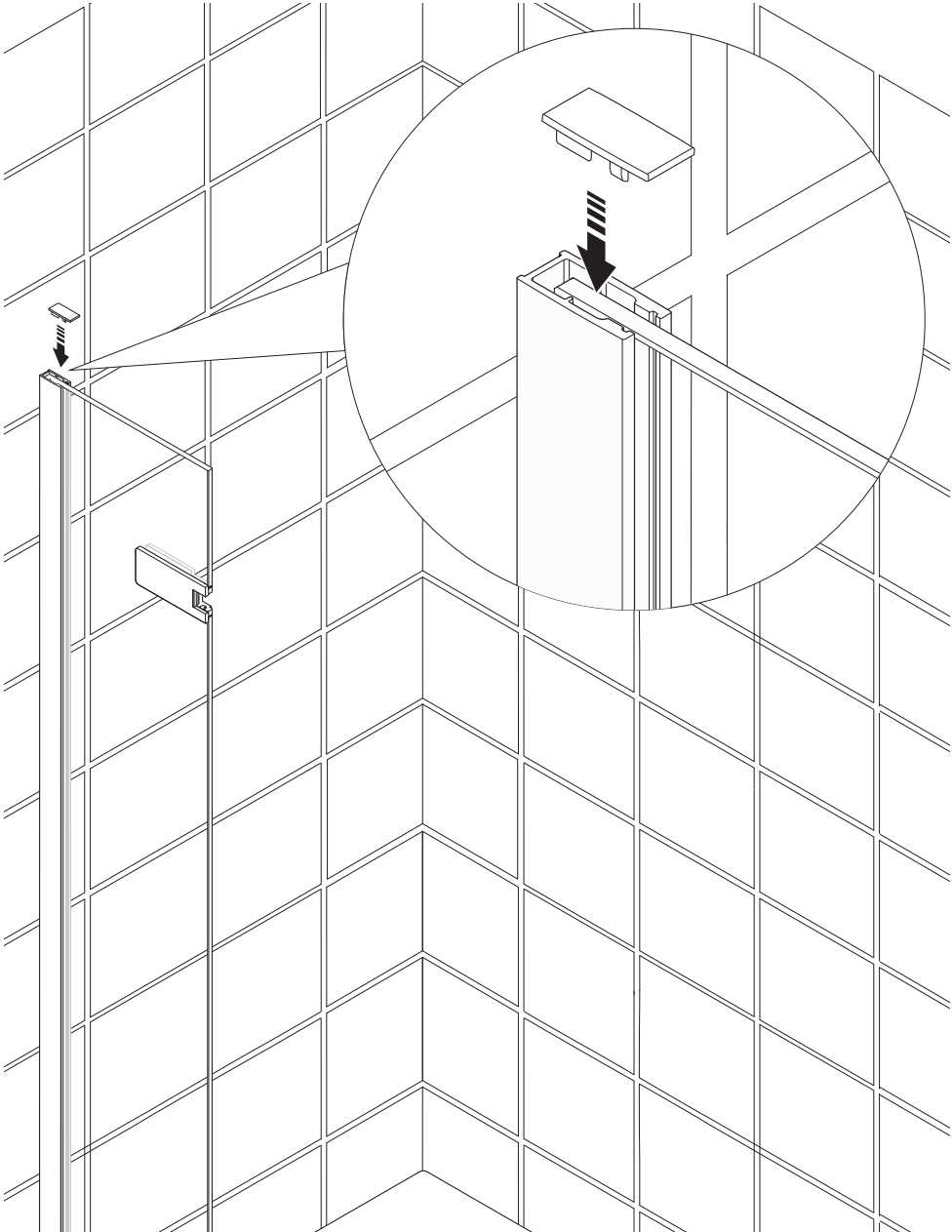
(a) Install the glass panel into the wall channel and track that had been secured earlier. Ensure that the glass overhangs the track by 7mm. This is important to allow room for installation of the end cap later.

5



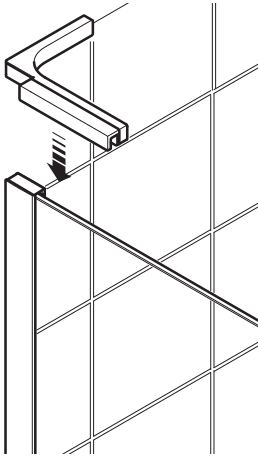
- (a) Make sure that the glass panel is level. Use packers (supplied) to level up the glass if required.
- (b) Push in the beading seal using the tool provided into the track and cut to length of track.
- (c) Push in the beading seal using the tool provided into the wall channel, starting at the bottom. Cut 15mm from the top of the glass.

6 Top Cap Installation

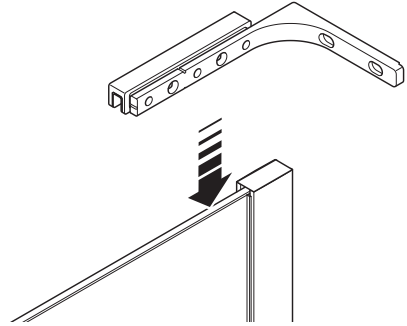


7 Corner Bracket Installation

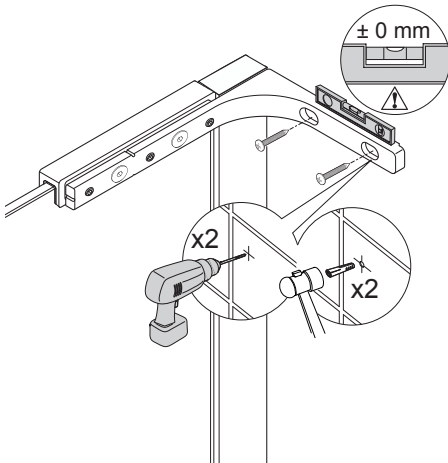
Note! The Corner Bracket can be used on both RH and LH sides. Remove the 2 fixing bolts, Rotate 'L' bracket and re-fit fixing bolts.



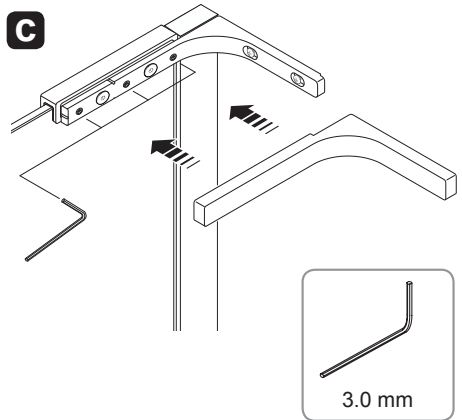
a



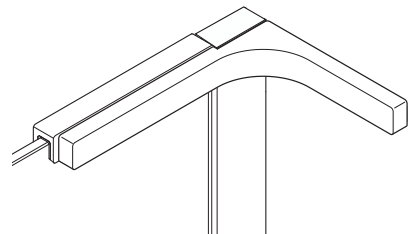
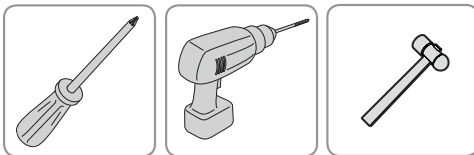
b

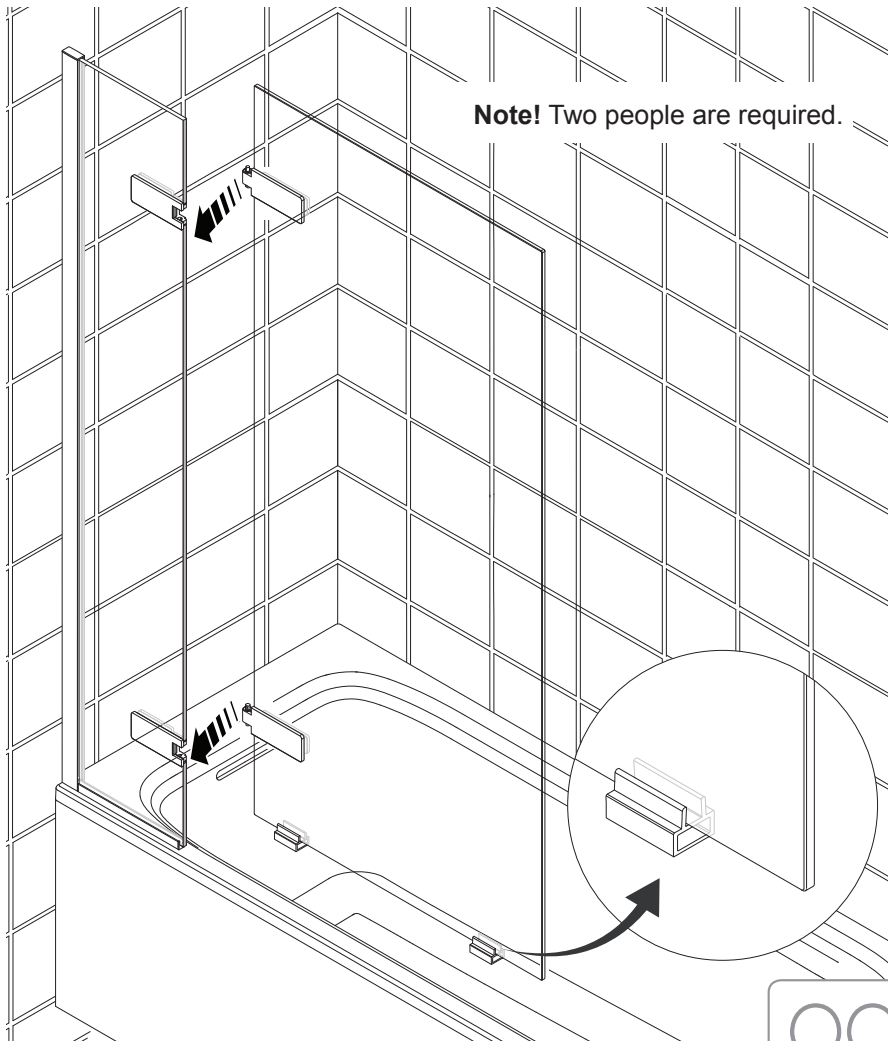


c



Note! Ensure that bracket is not overtightened onto the tiles to ensure cover can still slide into the notch.



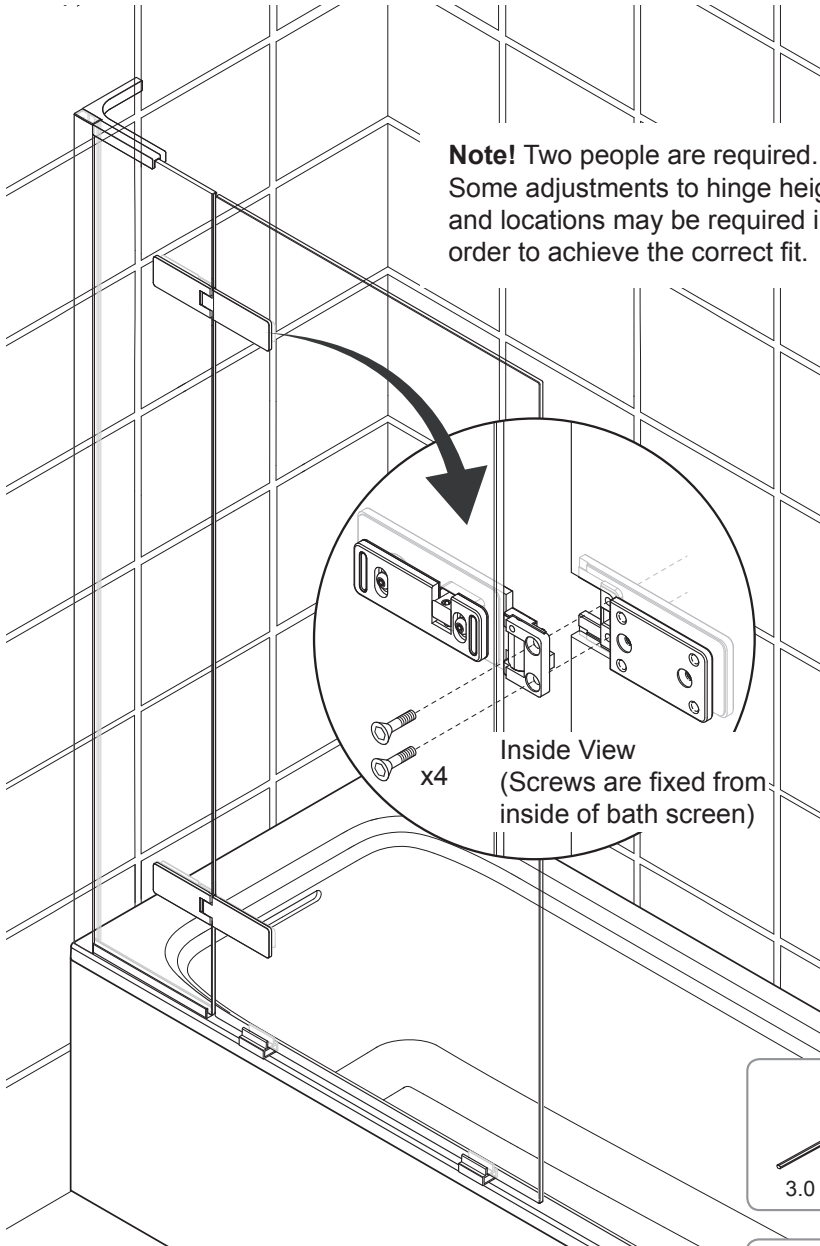


Note! Two people are required.

Note! The installation benches are used to provide correct height guidance for the moving glass panel, additional adjustments may be required.

- (a) Place the installation benches onto the base of glass.
- (b) Lift the door along with installation benches and engage two halves of hinges together using the fixing screws.

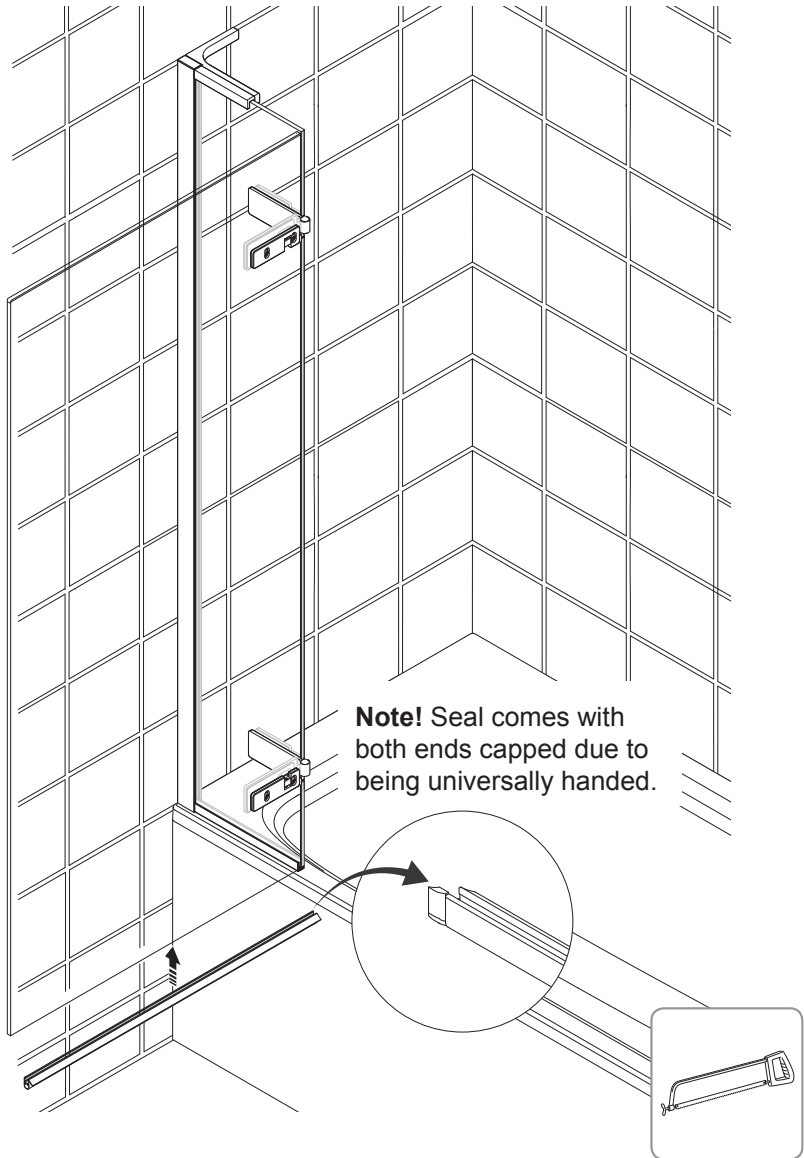
9



- (a) Ensure the moving panel is held securely in position, with the screw holes and cutouts aligned.
- (b) Secure the hinges together using two screws for each hinge.

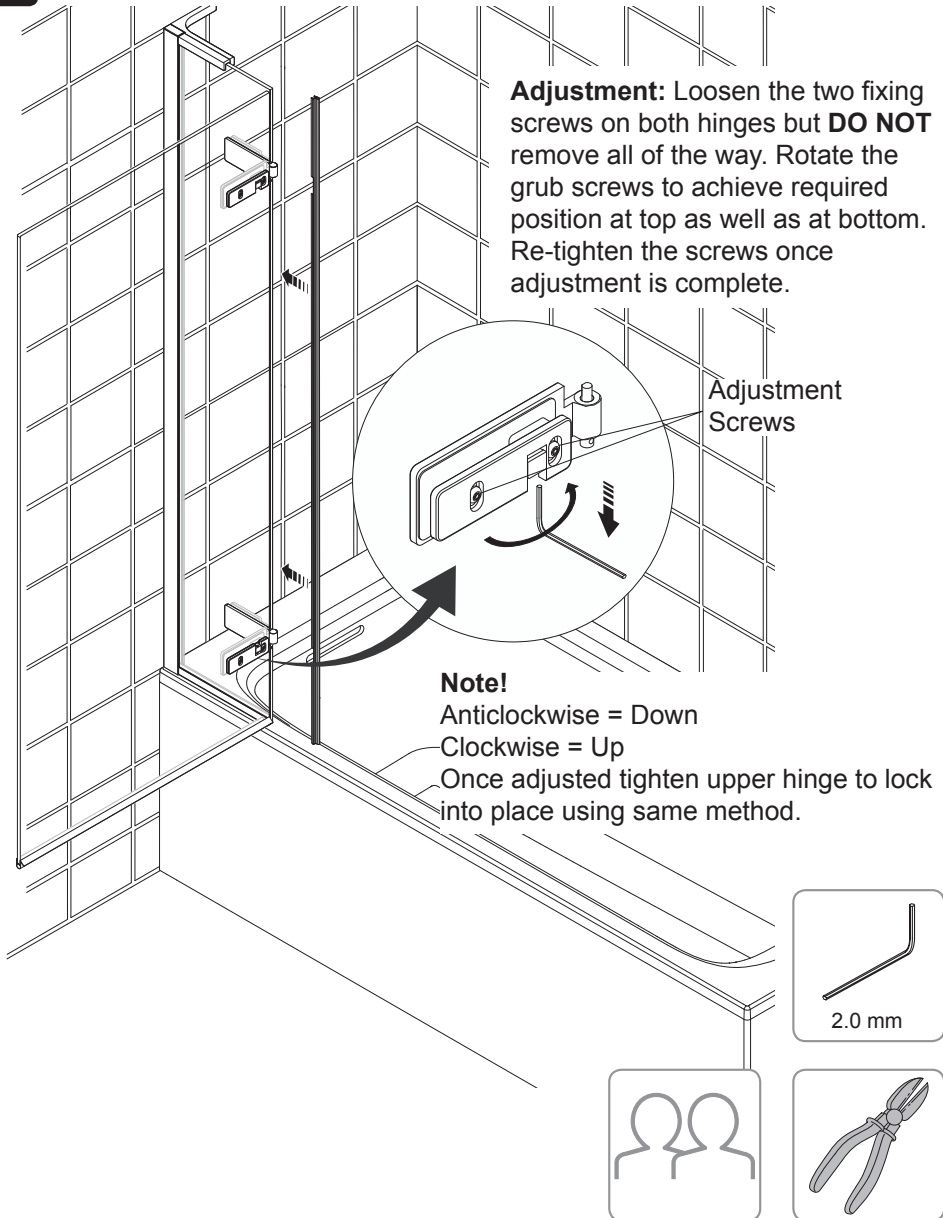


10



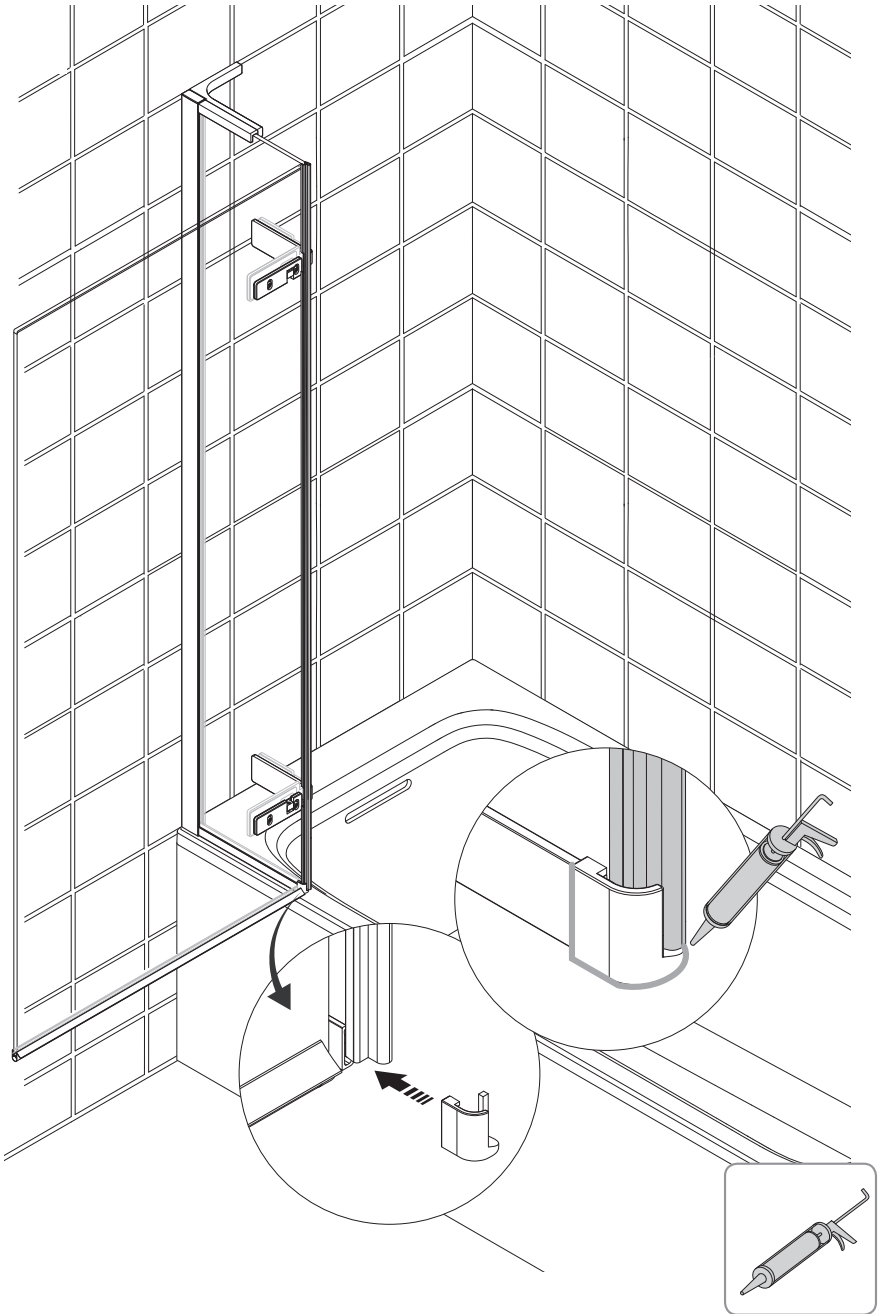
- (a) Remove the installation benches and open the door.
- (b) The horizontal seal comes with both ends capped to allow it to be modified to fit whether your bath screen installation is on the left-hand or right-hand wall.
- (c) The capped end of the seal will be positioned on the hinge side. Measure to glass length and cut off the cap from what will be the leading edge of your moving glass panel.
- (d) Push the seal onto the base of the moving glass panel.

11



- (a) Fit the vertical seal on to the fixed panel. The top of this seal will need to be trimmed to be flush with the top of the glass.
- (b) Adjust the hinges.

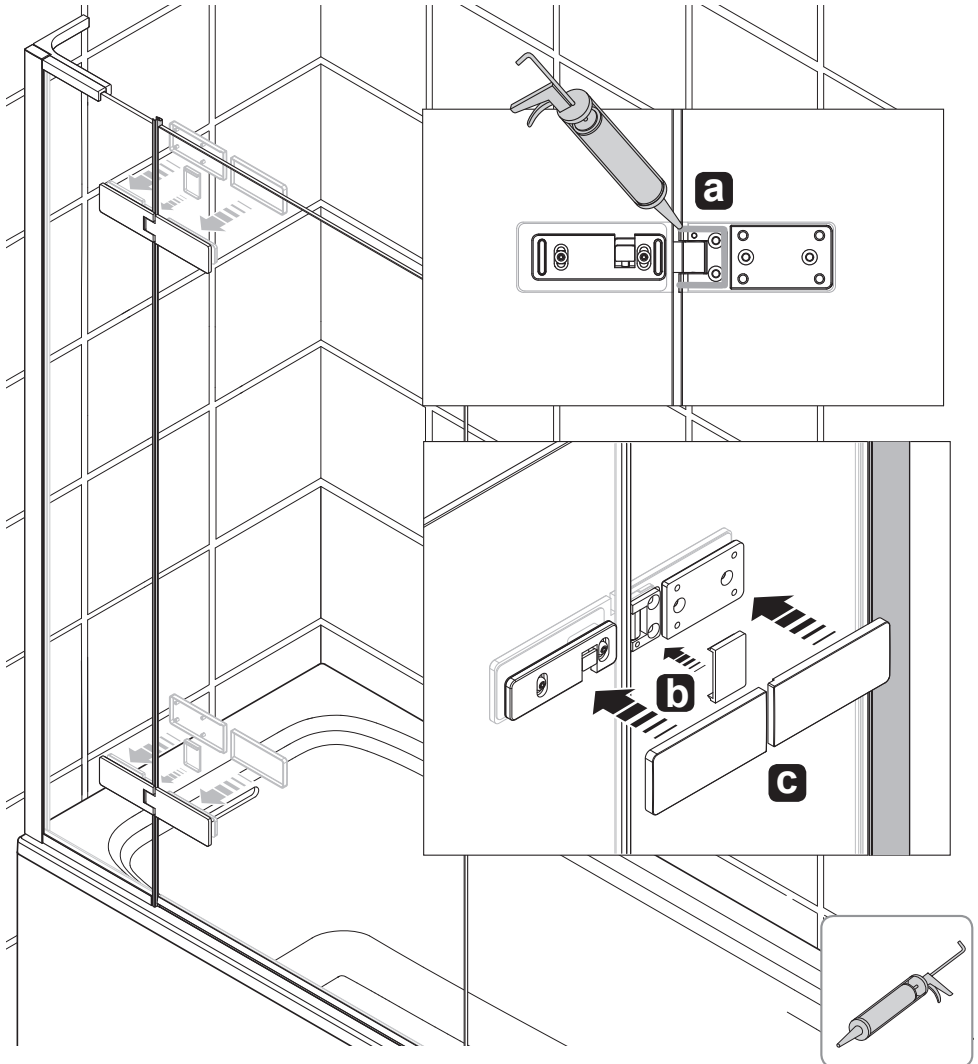
12



- (a) Select the correct handed end cap for your installation.
- (b) Push the end cap into the track, and apply silicone around it for water sealing.

13

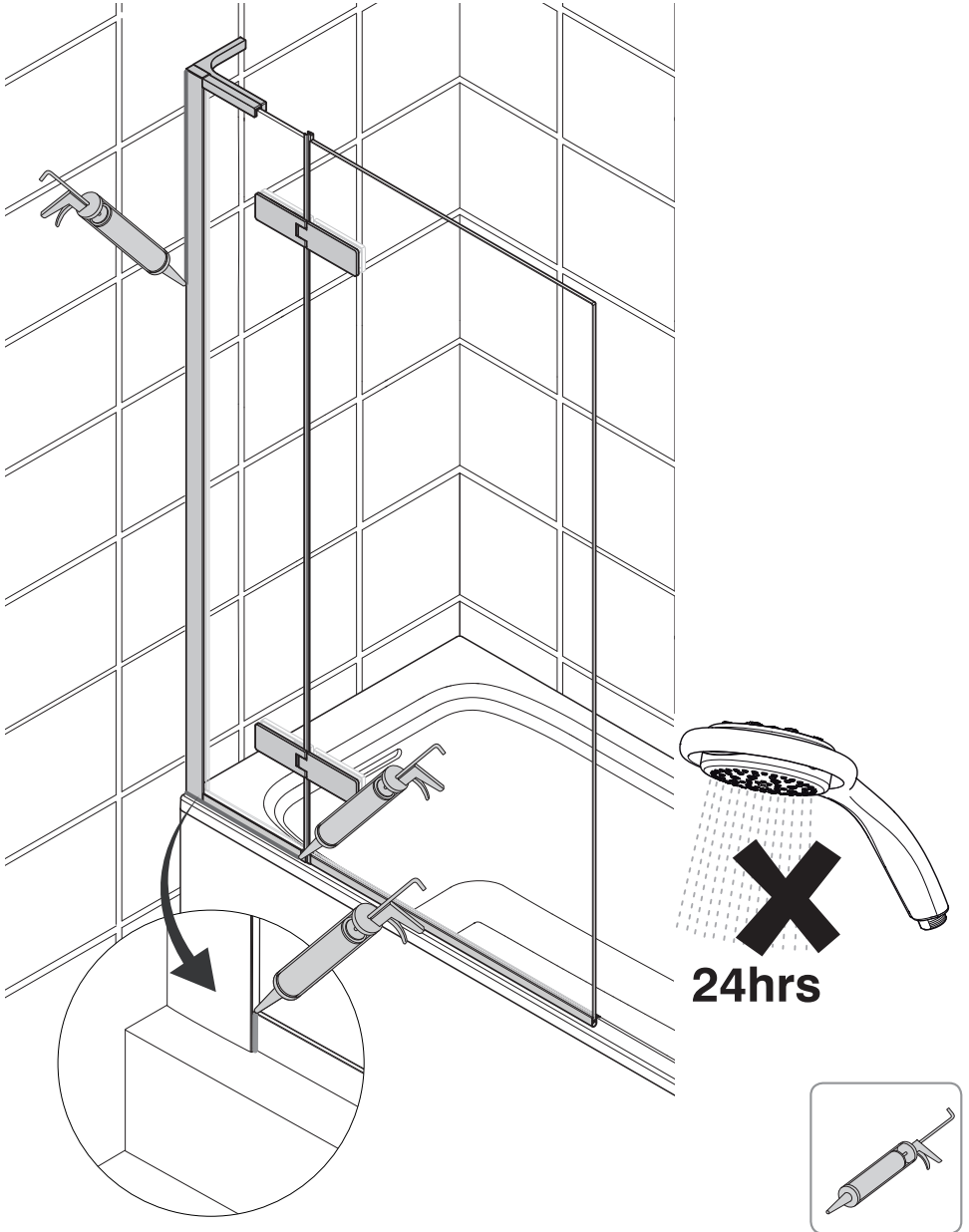
Note! Take care to apply the silicone correctly in the areas highlighted below.



- (a) Carefully apply silicone sealant around the glass cutout as illustrated above in order to fill the gap. This is very important to help create a water barrier.
- (b) Push the gasket cover into place, ensuring the ridges push into the recently siliconed recess.
- (c) Fit the covers over the hinges.

Note! Put a small amount of silicone onto the rear studs of the plates prior to pushing into place.

14



- (a) Apply sealant in accordance with the sealant manufacturers instructions along the outside surfaces of the wall channel and fixed panel only.
- (b) Allow the silicone sealant to cure for 24 hours before use.

Maintenance

General Maintenance

Providing the shower enclosure has been correctly installed and is operated in accordance with the instructions contained in this guide, difficulties should not arise. If any maintenance is required then it must be carried out by a competent tradesperson to whom the maintenance instructions are provided.

Before replacing any parts ensure the underlying cause of the malfunction has been resolved.

Cleaning

Warning! The use of grout/tile cleaners, scale removers, abrasive scourers, drain unblockers and other powerful detergents may lead to damage of metallic, plated and plastic surfaces, including the tray and shower waste.

Avoid the use of 'spray and leave' cleaners. Any cleaner used should have a pH level between 4 and 8 and immediately wiped dry using a soft cloth.

Care

To preserve the beauty of your shower enclosure for many years, please observe the following care instructions:

Rinse glass and frame with clear water after showering. Remove water droplets with a squeegee. **Do not rub dry!** To clean your shower hygienically and easily, we recommend the use of a biodegradable cleanser.

Regular cleansing with a biodegradable cleanser prevents stubborn stains and ensures a clean and hygienic surface for many years. Do not use scouring or caustic cleansers under any circumstances! These can damage the surface of the frame, glass and decorative parts as well as the plastic parts.

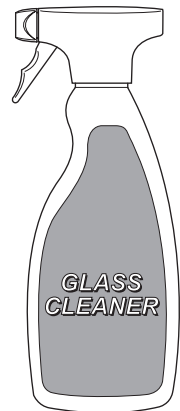
Chrome Parts

Use only cleansers expressly specified for chrome!

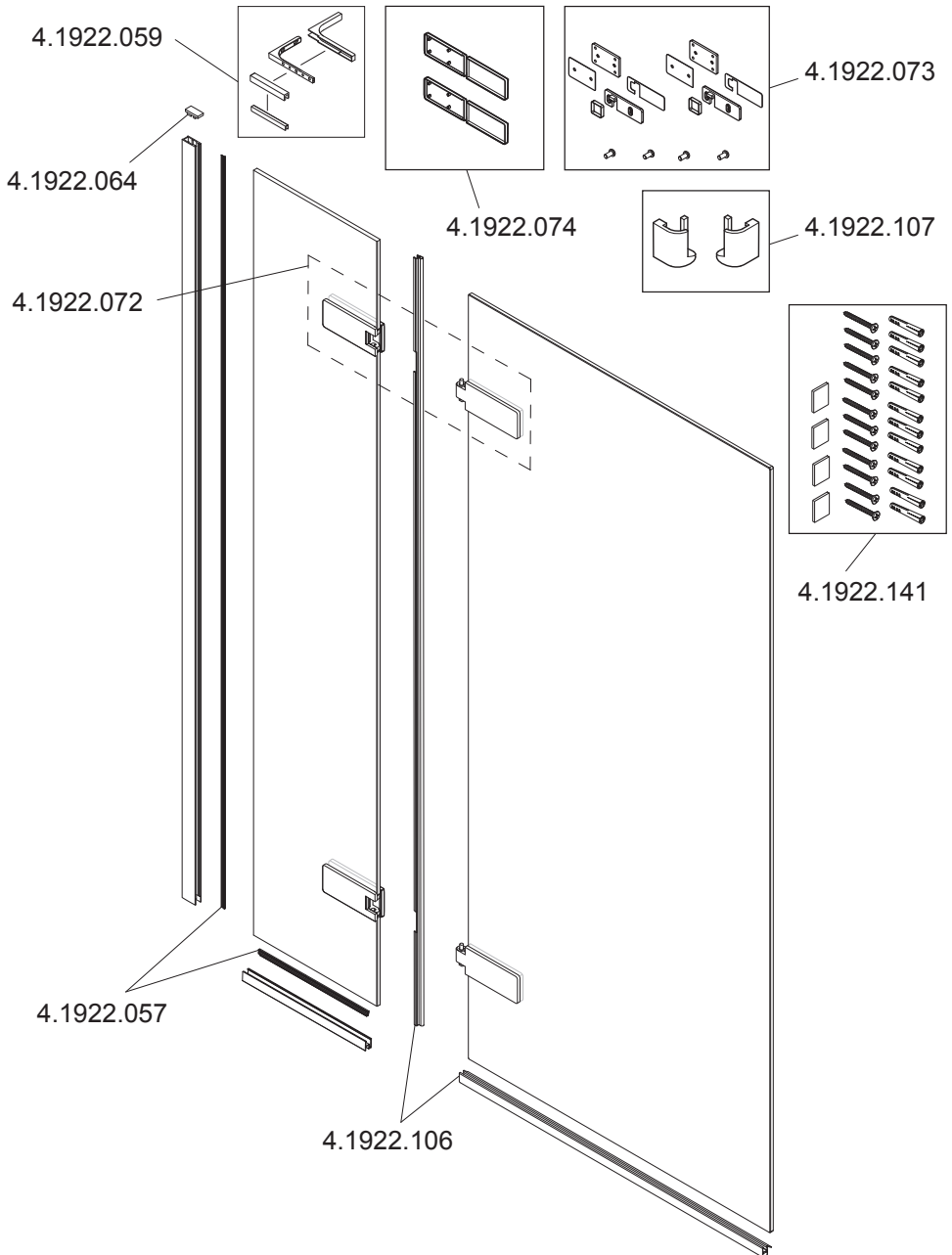
KOHLER Glass Cleaner

For occasional cleaning of glass treated with KOHLER Glass Protector or for more regular maintenance of untreated surfaces, we recommend using KOHLER Glass Cleaner.

The cleaner cleans and polishes without smearing or streaking and rejuvenates the Glass Protector.



Spare Parts



Declaration of Performance

KOHLER.

DECLARATION OF PERFORMANCE

Kohler Mira Ltd.
Cromwell Road
Cheltenham
Gloucestershire
GL52 5EP
United Kingdom
Tel: 0844 571 1155
Fax: 0844 581 1100
www.kohlermira.co.uk

Brand name: Kohler Mira

Product name: Ascend & Composed Shower Enclosures (all sizes)

Product Range: Hinged Alcove Door
Hinged Enclosure
Sliding Alcove Door
Sliding Door Enclosure
Side Panel
Wet Room Side Panel
Wet Room Panel
Wet Room Hinged Return Panel
Bath Screen (In-line Panel with Hinged Door)

Product type: Domestic Shower Enclosure

Manufacturer: Kohler Mira Ltd
Cromwell Road, Cheltenham
Gloucestershire GL52 5EP
United Kingdom

Directives: EU 305/2011 Construction Products Regulations

System of assessment: System 4
Type testing / Factory production Control

Standards: EN 14428:2015.
Shower enclosures – Functional requirements and test methods.

Essential Characteristics	Performance	Harmonised technical specification
IR-CA-DA	Compliant	EN 14428:2015

The performance of the products described above, are in conformity with the relevant community harmonisation legislation.

This declaration of performance is issued under the sole responsibility of Kohler Mira Ltd.

CE 18

Signed for and on behalf of Kohler Mira Ltd.

Signature: 

Name: Jon Ramsdale
Place: Cheltenham, UK
Doc. No.: CE 0120

Position: NPD Director
Date: 1st March 2018
Issue: 1



Check out our full range of Shower Enclosures

Quadrant Shower Enclosures

Corner Entry Shower Enclosures

Walk in Shower Enclosures

Sliding Shower Doors

Bifold Shower Doors

Pivot Shower Doors

Hinged Shower Doors

Shower Screens

From Top Brands

Coram Shower Enclosures

Mira Shower Enclosures

Hydrolux Shower Enclosures

Diamond Shower Enclosures

With quality shower trays to match your enclosure

Square Shower Trays

Rectangular Shower Trays

Quadrant Shower Trays

Coram Shower Trays

Mira Flight Shower Trays

plumbworld
Big brands, small prices.