

# Mira Elite SE

## Pumped Electric Shower



Silent Running pumped electric shower, designed for gravity fed systems on low pressure.

### Product Information

Description	Colour	Product No.
Mira Elite SE 9.8kW	White/Chrome	1.1941.001
Mira Elite SE 10.8kW	White/Chrome	1.1941.002

### Features & Benefits

#### Temperature control

Pressure stabilised temperature control

#### Easy to fit

Like-for-like replacement of older Elite models. Uses same footprint and screw holes as Elite ST and Elite QT

Adjustable slide bar fits over holes left by previous shower kit

#### Easy to service

Mira Clean-flo™ filter to protect your shower from debris, keeping your shower in peak condition. Designed for easy-access and features built-in isolation for easy cleaning

#### For your customer

An integrated pump boosts your shower on a low pressure system

Silent showering: So quiet that when the water is running you won't hear the pump. Quiet Mark™ approved – as awarded to products which make a huge difference to noise in the home

Large 4 spray showerhead for greater coverage and choice of experience, and rub clean nozzles for ease of cleaning

Continuously rated meaning you can run the shower for as long as you need. Perfect for large households



# Product Specification

## Tech Details

### Temperature Control

Pressure Stabilised

### Installation

Power Options: 9.8kW 240V (9.0kW 230V)  
10.8kW 240V (9.9kW 230V)

Supply voltage: 230V +/- 10%

Supply rating: 45 amp (9.8kW & 10.8kW)

Terminal block: Max 16mm compression

Water entry points: Left (rising, falling & rear)

Cable entry points: Left (rising, falling & rear)

Removable case inserts: Cut-out inserts

Inlet connections: Brass Inlet Connector,  
15mm compression fitting

Outlet connections: 1/2" BSP male

### Supply Conditions (hot and cold)

Minimum maintained pressure: 0.008 bar (80mm head)

Maximum maintained pressure: 1.0 bar (10m head)

### Maintenance

Self service inlet filter

### Performance

Temperature stability +/- 6°C

### Accessories

Wide range of accessories available at  
[www.mirashowers-store.co.uk](http://www.mirashowers-store.co.uk)

### Approvals and Accreditations

BEAB approved

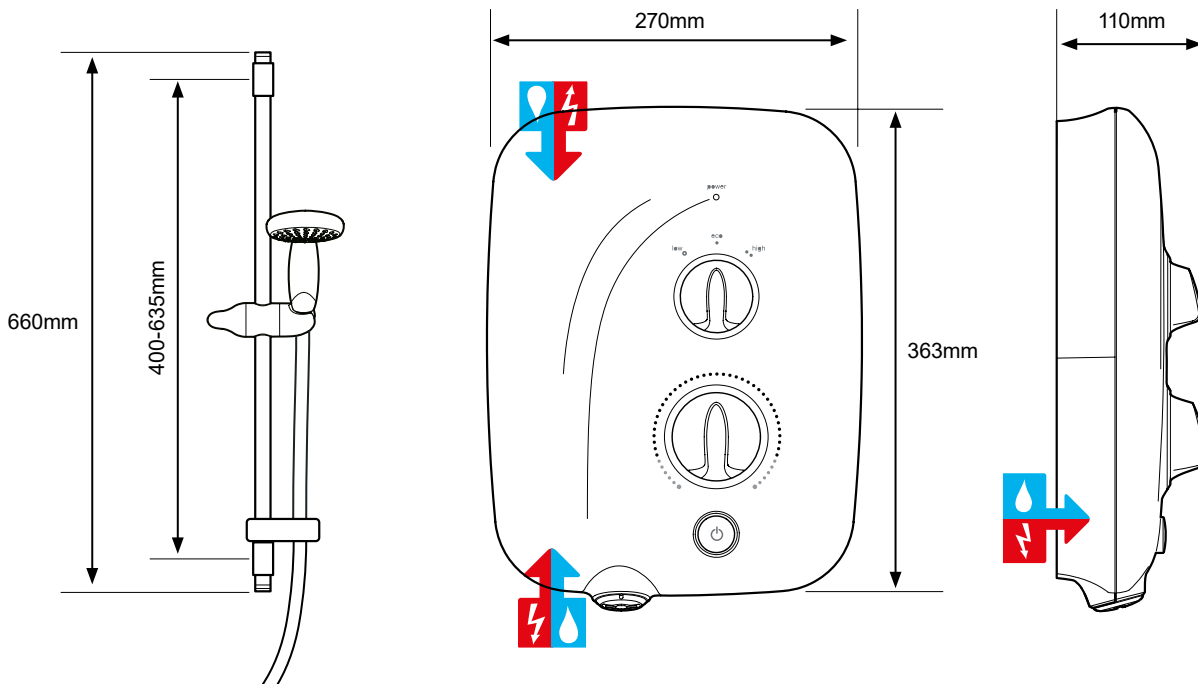
WRAS

Energy efficiency: Class A



Intertek

## Dimensions



## **Check out our full range of Showers**

Electric Showers

Digital Showers

Mixer Showers

Power Showers

Smart Showers

Shower Towers

## **From Top Shower Brands**

Mira Showers

Aqualisa Showers

Triton Showers

Gainsborough Showers

## **Shower Pumps can upgrade your showering experience even more**

Stuart Turner Shower Pumps

Salamander Shower Pumps

Grundfos Shower Pumps

**plumbworld**  
**Big brands, small prices.**