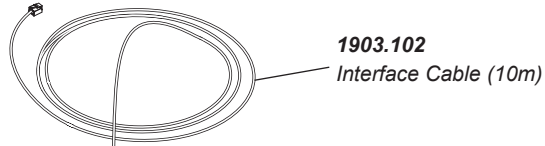
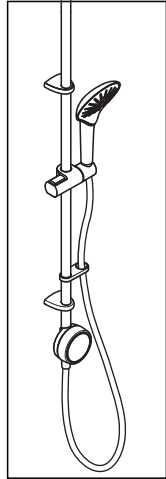


# Mira Activate

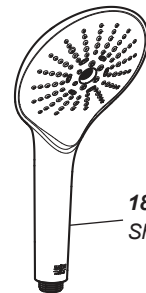
Shower Fittings & User Interface



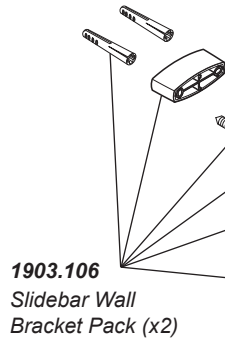
1.1903.086	Mira Activate Ceiling Fed (High Pressure)
1.1903.088	Mira Activate Dual Ceiling Fed (High Pressure)
1.1903.090	Mira Activate Ceiling Fed (Pumped)
1.1903.092	Mira Activate Dual Ceiling Fed (Pumped)



**1799.015**  
Ceiling Plate (x1)

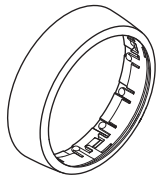


**1841.073**  
Showerhead (x1)

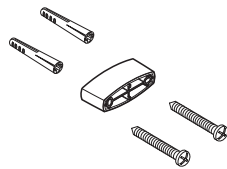


**1903.106**  
Slidebar Wall  
Bracket Pack (x2)

**1903.110**  
Clamp Bracket (x1)

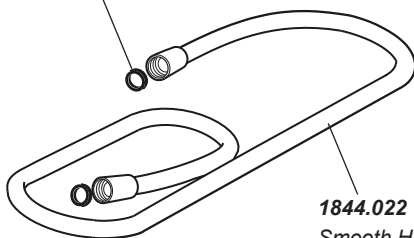


**1903.109** Bezel Chrome (x1)



**1841.126**  
Hose Retaining Ring (x1)

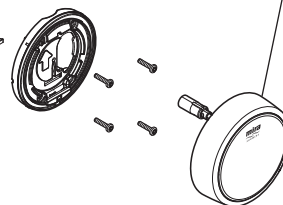
**623.23**  
Hose Washers (x1)



**1844.022**  
Smooth Hose (x1)

**1903.099**  
User Interface Single Outlet (x1)  
**1903.100**  
User Interface Dual Outlet (x1)

**1903.107**  
Tube Retainer Clip (x1)



Mira Digital mixing showers are provided with five years warranty and fittings with a one year warranty. Spare parts are available free of charge during that period with a valid proof of purchase. For showers outside of the warranty period, spare parts are available to purchase direct, alternatively we have Mira technicians who can repair your shower for you. For further information visit [www.mirashowers.co.uk](http://www.mirashowers.co.uk) or to check availability of spare parts for this shower or enquire about our repair service please contact our customer service on 0800 001 4040.

1460416-W8-A

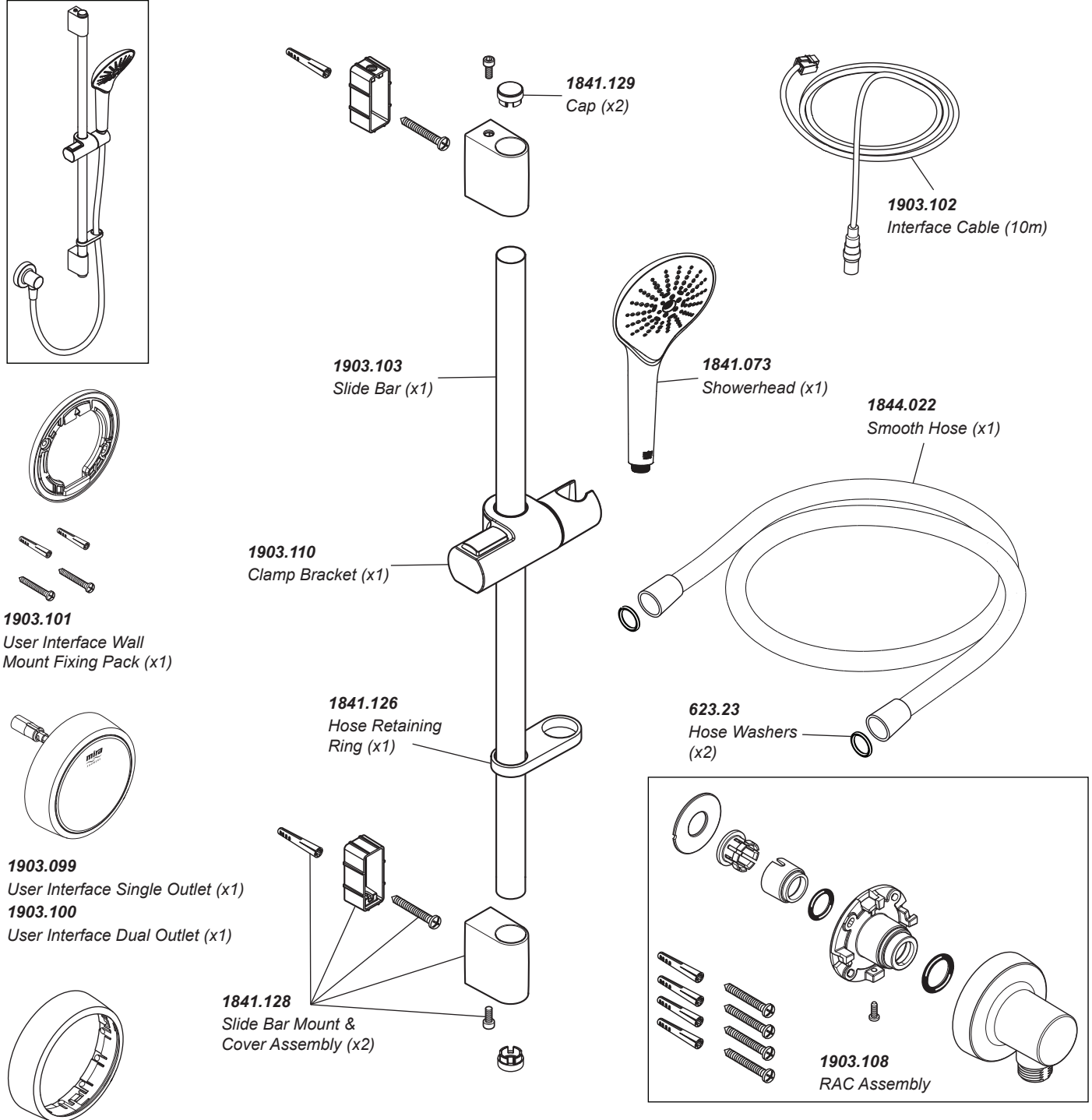


# Mira Activate

Shower Fittings & User Interface



1.1903.087	Mira Activate Rear Fed (High Pressure)
1.1903.089	Mira Activate Dual Rear Fed (High Pressure)
1.1903.091	Mira Activate Rear Fed (Pumped)
1.1903.093	Mira Activate Dual Rear Fed (Pumped)



1903.109 Bezel Chrome (x1)

Mira Digital mixing showers are provided with five years warranty and fittings with a one year warranty. Spare parts are available free of charge during that period with a valid proof of purchase. For showers outside of the warranty period, spare parts are available to purchase direct, alternatively we have Mira technicians who can repair your shower for you. For further information visit [www.mirashowers.co.uk](http://www.mirashowers.co.uk) or to check availability of spare parts for this shower or enquire about our repair service please contact our customer service on 0800 001 4040.

1460416-W8-A

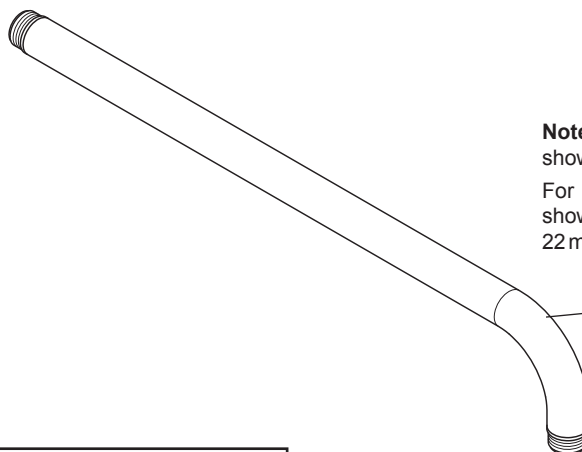
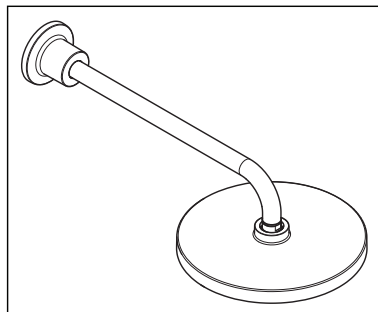
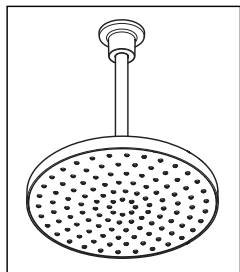


# Mira Activate

Shower Fittings & User Interface



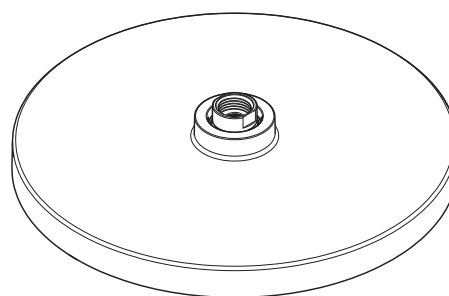
1.1903.088	Mira Activate Dual Ceiling Fed (High Pressure)
1.1903.089	Mira Activate Dual Rear Fed (High Pressure)
1.1903.092	Mira Activate Dual Ceiling Fed (Pumped)
1.1903.093	Mira Activate Dual Rear Fed (Pumped)



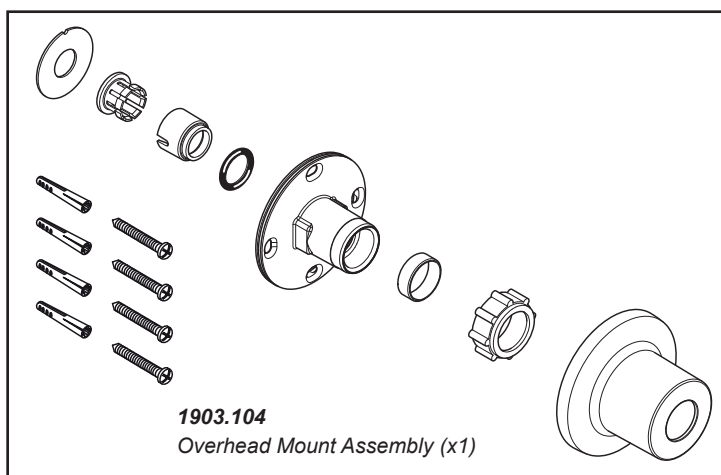
**Note:** For rear fed, choose the length of the shower arm and cut off straight end.

For ceiling fed, choose the length of the shower arm and cut off bent end using a 22 mm stainless steel pipe slice, or hack saw.

**1903.105**  
Multifit Overhead Arm (x1)



**1750.534**  
Overhead 250 mm (x1)



**1903.104**  
Overhead Mount Assembly (x1)

Mira Digital mixing showers are provided with five years warranty and fittings with a one year warranty. Spare parts are available free of charge during that period with a valid proof of purchase. For showers outside of the warranty period, spare parts are available to purchase direct, alternatively we have Mira technicians who can repair your shower for you. For further information visit [www.mirashowers.co.uk](http://www.mirashowers.co.uk) or to check availability of spare parts for this shower or enquire about our repair service please contact our customer service on 0800 001 4040.

1460416-W8-A

