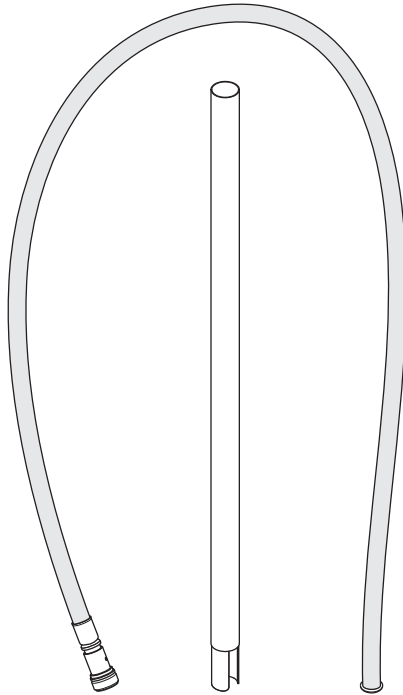


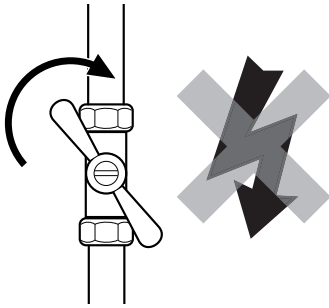
**Mira Activate  
Ceiling Fittings Extension Kit  
1.1903.097**



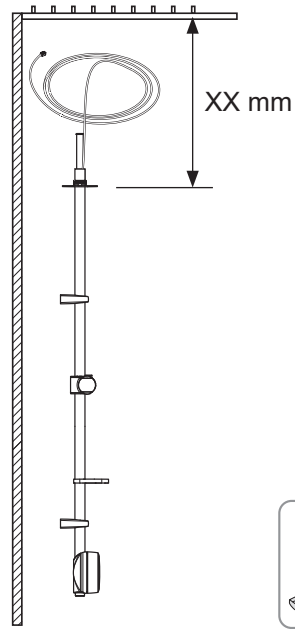
**Must be fitted by a competent tradesperson.  
These instructions must be left with the user.**

**Genuine Kohler Mira  
Spare Parts**

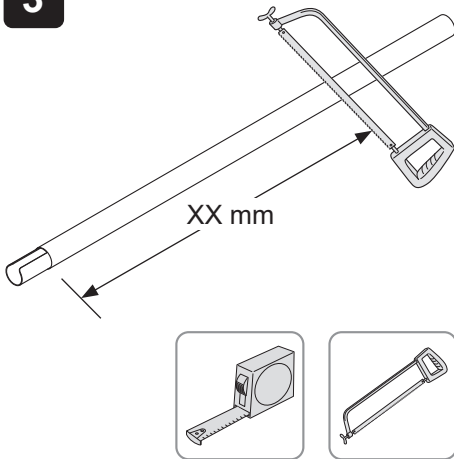
1



2

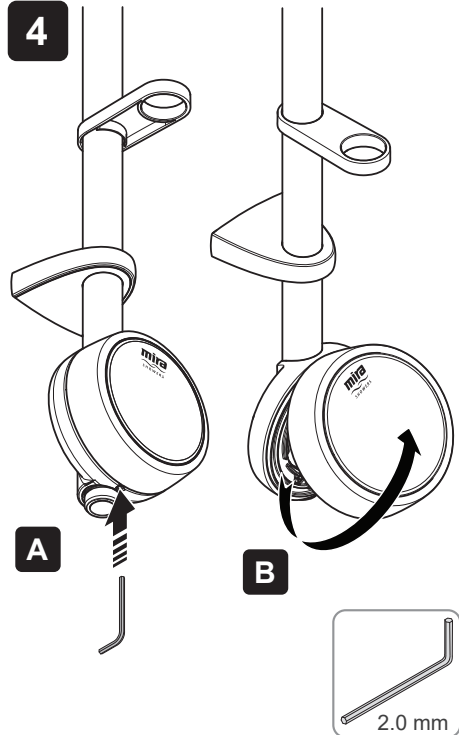


3

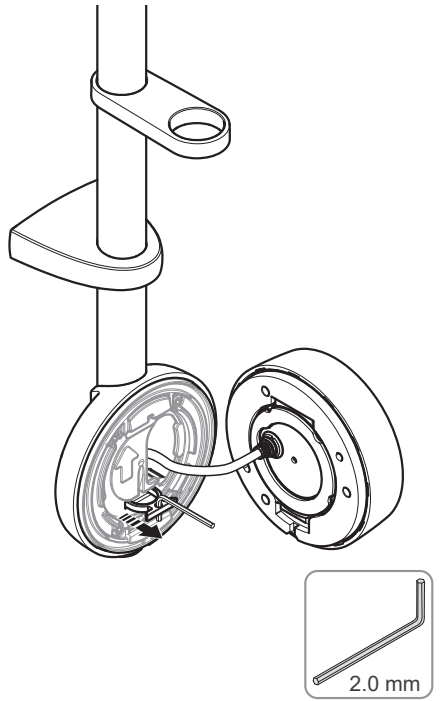
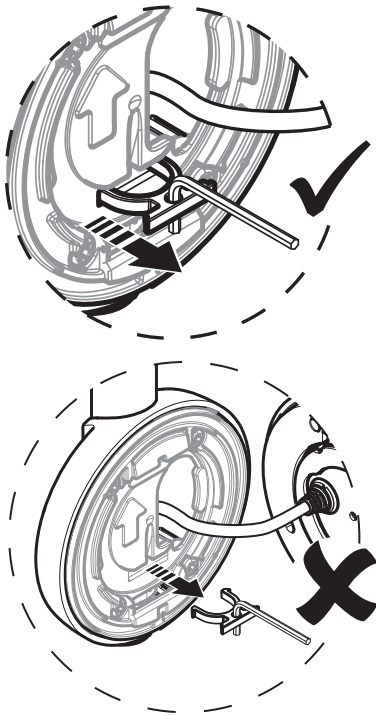


Cut to length using a hack saw.  
Ensure parts are fully de-burred.

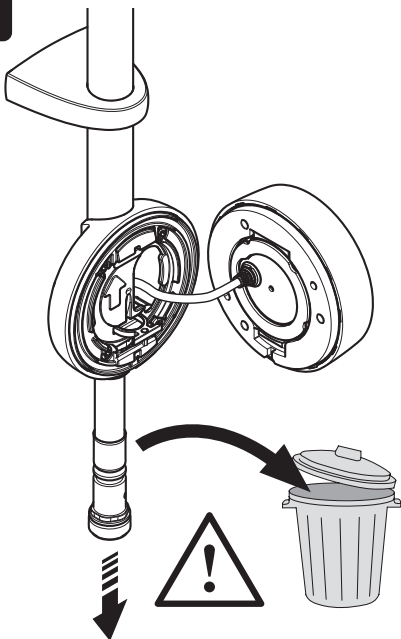
4



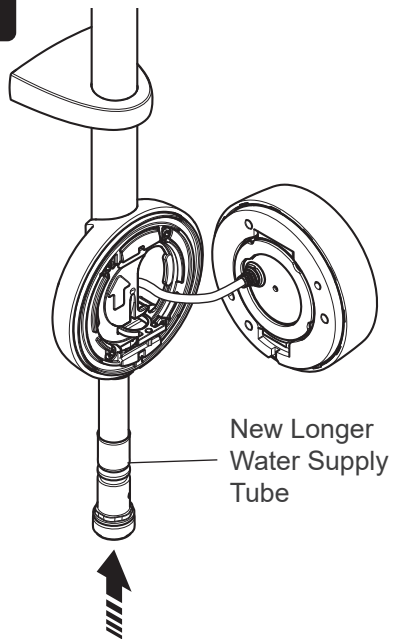
5



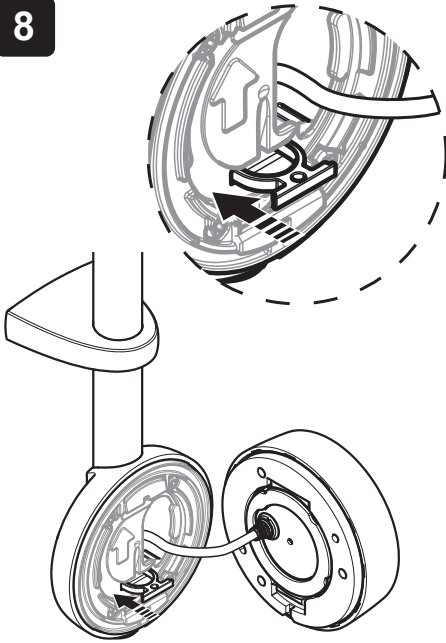
6



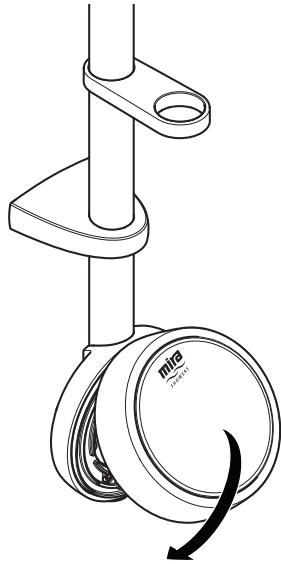
7



8

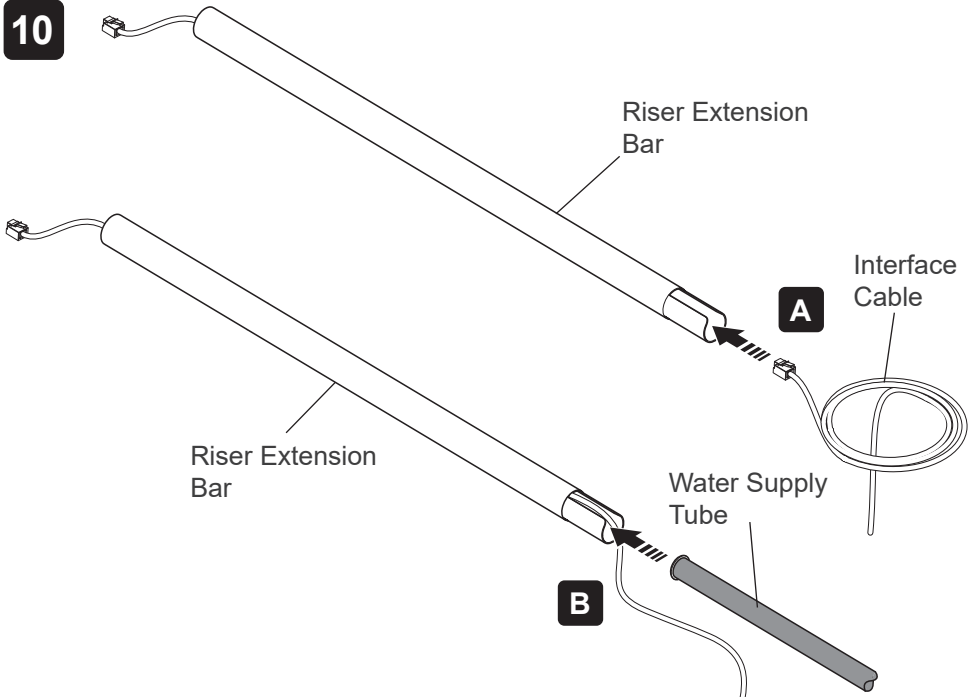


9

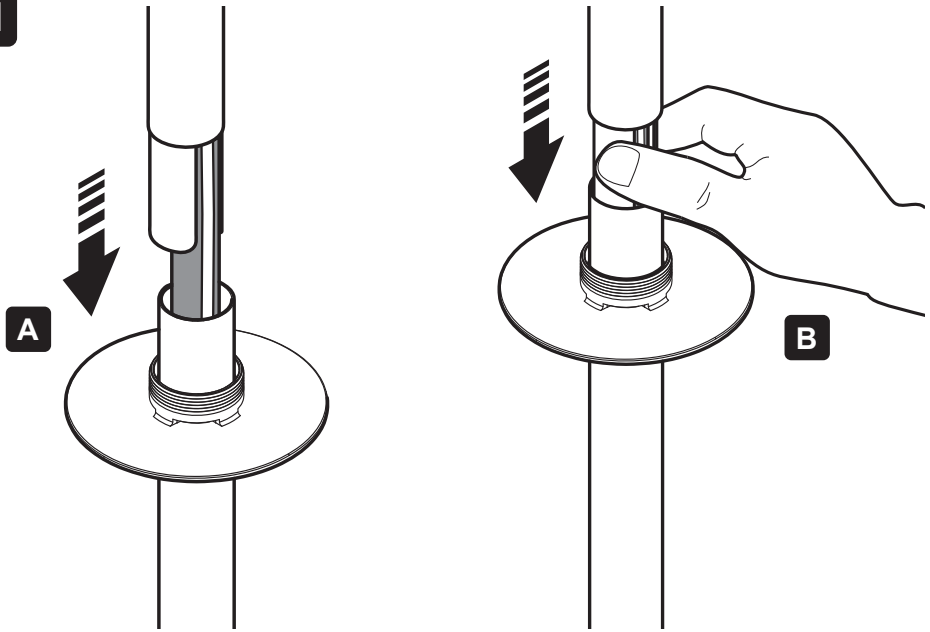


**Caution!** Be careful not to trap the cable when pushing down.

10



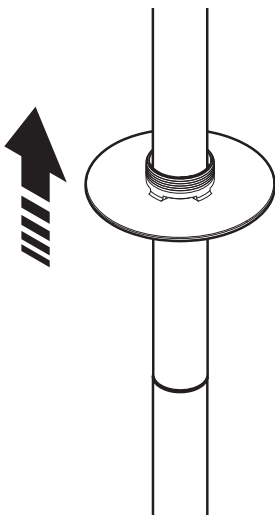
11



Squeeze together the end of the joiner section of the extension riser so that it can be pushed in the top of the main riser.

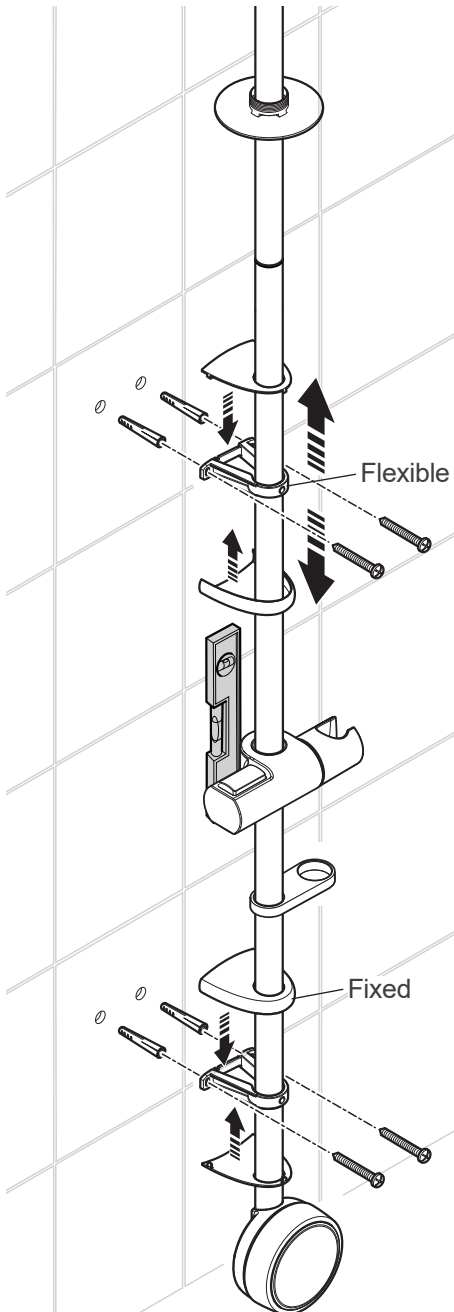
**Important!** Check the cable is sitting in the middle of the joiner section and not trapped between extension and main riser bar.

12



Slide concealing shroud up past the joint.

13



Proceed with the installation of the assembly as detailed in the main product user guide.

It is recommended to position the top fixing bracket over the joint of the riser extension.





0800 001 4040



Visit website: [www.mirashowers.co.uk/contactus](http://www.mirashowers.co.uk/contactus)

***mira***  
SHOWERS