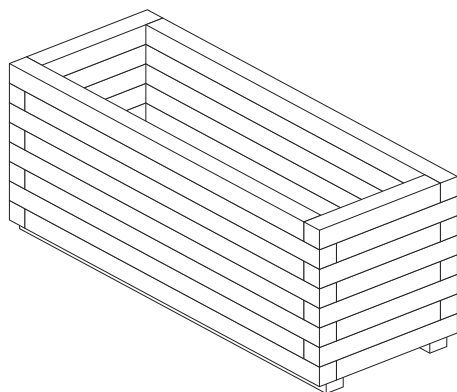


# Rectangular Patio Planter

# English SS429

## Assembly Instructions



### Before assembly

- We recommend that time is taken to read the instructions before starting assembly, then follow the easy step by step guide. The instruction sheet is only a guide to the assembly. Certain items may not be shown to scale.
- Check all components prior to assembly
- Drill all components where indicated.
- This product should be assembled by two people
- Never attempt to erect the assembly in high winds.

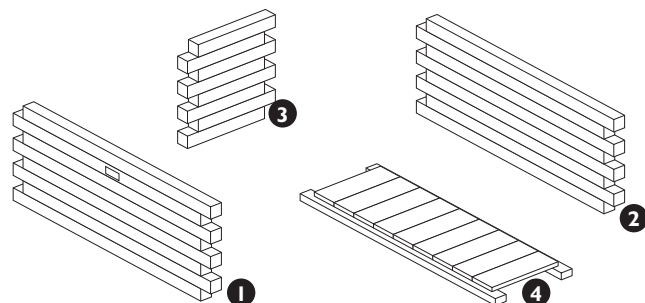


### Recommended tools for assembly

- Mallet
- Cross head screw driver
- Drill with 2mm diameter drill bit

No.	Components	Qty.
1	Front panel (badged)	1
2	Back panel	1
3	End panel	2
4	Floor	1

No.	Fixing Kit	Qty.
5	80mm screws	6
6	100mm Screws	8

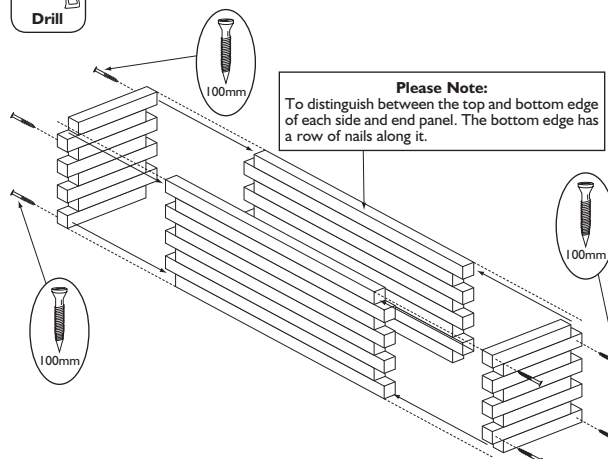


### 1. Connect the ends and side panels

Interlock the ends and side panels as shown. If necessary use a mallet and tap them till they are fully inter-locked. Secure using 4 x 100mm screws in each corner, screw through the end panels into the ends of the side panels.

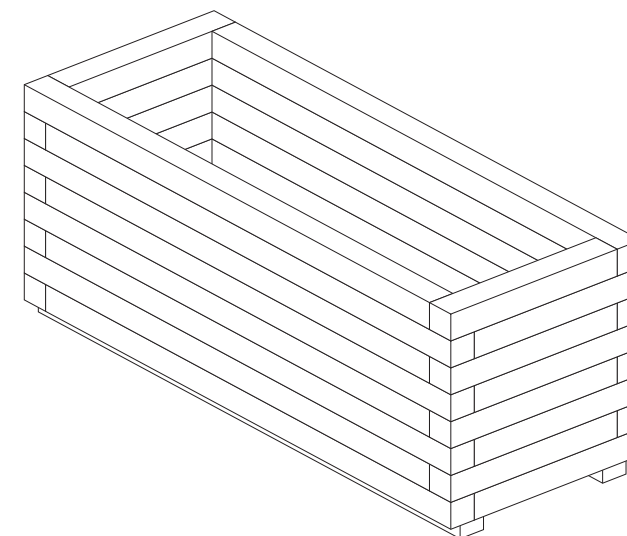


Drill pilot holes in the end panels with a 2mm drill bit for each screw in this section.



### 3. Turn planter over

With a person at each end carefully turn the planter the right way up.



### 2. Floor

With the planter upside down, place the floor onto the planter, ensure that the floor boards fit within the side panels, tap into place with a mallet if necessary. Secure the floor using 6 x 80mm screws as shown



Drill pilot holes in the end panels with a 2mm drill bit for each screw in this section.

