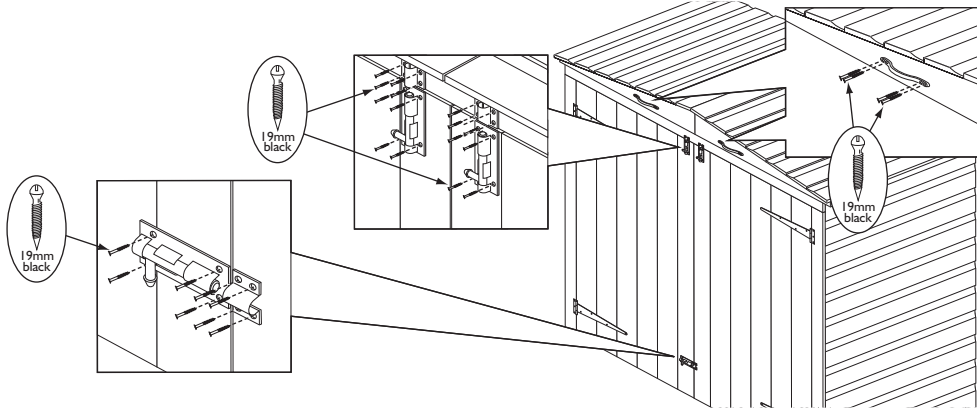


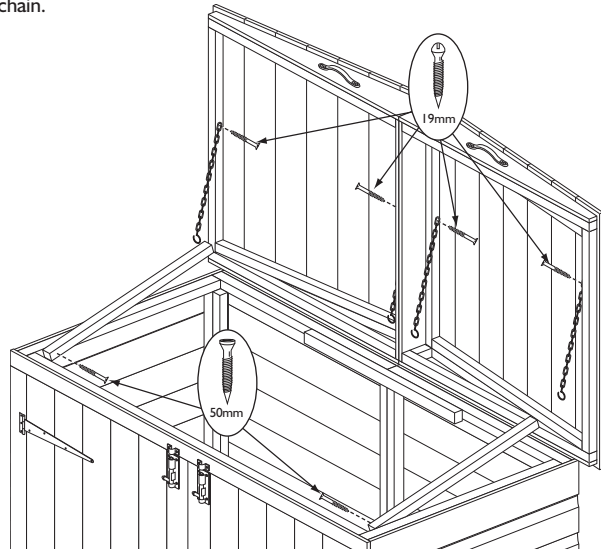
7. Bolts and handles

Position a towerbolt at the top of each door and their catch plates on the door header strip as shown. Ensure the bolts align with the catch plates so that the bolts fits in the catch plate when in the locked position. Secure each bolt using 4 x 19mm black round head screws and 4 x 19mm black round head screws for each catch plate. Position a third tower bolt and catch plate in line with the bottom door hinges. Attach the bolt to one door and the catch plate to the other. Ensure the bolt slides into the catch plate and fix using 4 x 19mm black round head screws and 4 x 19mm black round head screws for each catch plate. Attach the handles to the front of the lids using 4 x 19 screws per handle.



8. Lid stays & chains

Secure a lid stay to the inside of the side panel top frames, using 1 x 50mm screw per stay. Attach two chains to each lid. Screw through the end link of each chain into the side of the lid frames as shown using 1 x 19mm silver round head screw for each chain.



Using the bin store
Position the bin inside the store, loop the chains around the handles of the bin and attach the S hook to one of the chain links. Ensure the lid of the bin shuts fully when the lid is down.

If in doubt of any aspect regarding the assembly, use or safety of your bin store please contact us :

Help Line: (Normal Office Hours) 01829 261 121

Email: support@rowgar.co.uk

ROWLINSON GARDEN PRODUCTS LIMITED
Green Lane
Wardle Nr. Nantwich
Cheshire
CW5 6BN
www.rowgar.co.uk

We constantly improve the quality of our products, occasionally the components may differ from the components shown and are only correct at time of printing. We reserve the right to change the specification of our products without prior notice.

2015 © Rowlinson Garden Products Ltd

ROWLINSON
GARDEN PRODUCTS

Apex Double Bin Store

English SS374C

Assembly Instructions

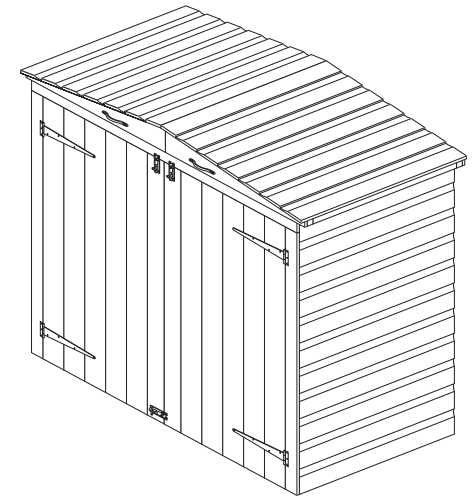
Before assembly

- We recommend that time is taken to read the instructions before starting assembly, then follow the easy step by step guide. The instruction sheet is only a guide to the assembly. Certain items may not be shown to scale.
- Check all components prior to assembly
- This product should be assembled by no less than two people.
- Never attempt to erect the assembly in high winds.
- Drill all components where indicated.



Recommended tools for assembly

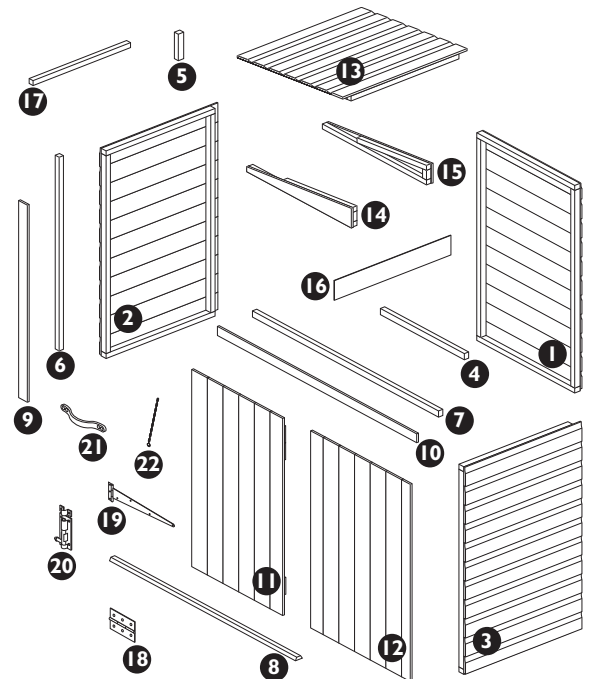
- Cross head screw driver
- Drill with 3mm diameter drill bit



No.	Components	Qty.
1	Back panel	2
2	Left side panel	1
3	Right side panel	1
4	Back panel joint rail (35x28x600mm)	2
5	Lid stay block (35x28x150mm)	2
6	Door frame uprights (28x28x1097mm)	2
7	Door header frame (35x28x1330mm)	2
8	Front base rail (35x15x1330mm)	1
9	Door hinged strip (65x12x1115mm)	2
10	Header strip (48x12x1425mm)	1
11	Left door	1
12	Right door	1
13	Lid	2
14	Left-hand angled lid facia	2
15	Right-hand angled lid facia	2
16	Lid end panel (12x114x760mm)	2
17	Lid stay	2

No.	Fixing Kit	Qty.
18	Butt hinge	4
19	Black T-hinge	4
20	Tower bolts	3
21	Handle	2
22	Chains	4
23	70mm screws	2
24	50mm screws	53
25	25mm silver screws	24
26	25mm black screws	57
27	19mm black roundhead screws	32
28	19mm silver roundhead screws	4

Biocidal Products Regulation EU 528/2012
PermaWood ACQ1900 treated wood is a treated article that incorporates biocidal products: copper hydroxide and Benzalkoniumchloride. They protect wood against fungal decay /rot/ and insect attack. Keep away from food, drink and animal feeding stuffs. Avoid breathing dust when cutting treated wood.

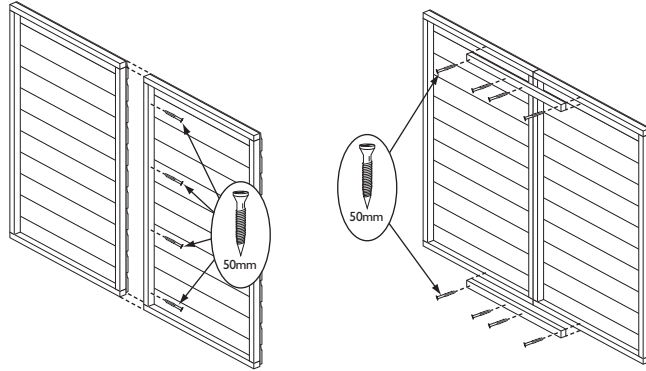


1. Back panels

Secure the two back panels together as shown below using 4 x 50mm screws. Attach the back panel joint rails to the top and bottom frame of the back panel assembly as shown, align centrally over the joint between the two panels and secure each one using 4 x 50mm screws.



Drill pilot holes for each screw in this section.

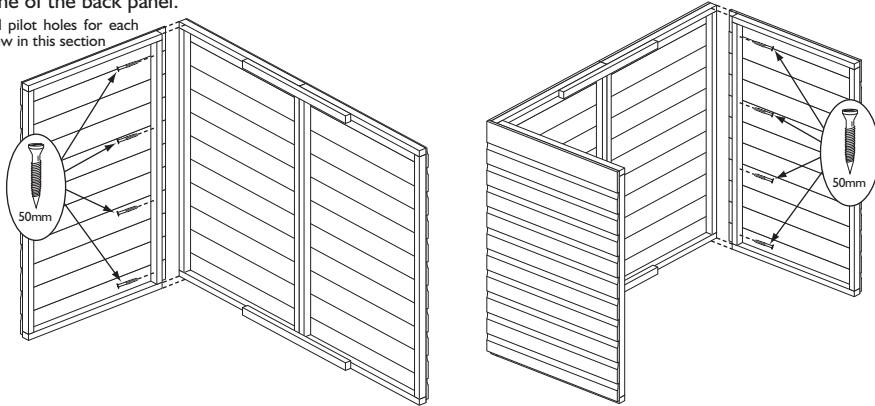


2. Side panels

Secure each side panel to the back panel using 4 x 50mm screws per panel. Screw through the frame of the side panel into the frame of the back panel.

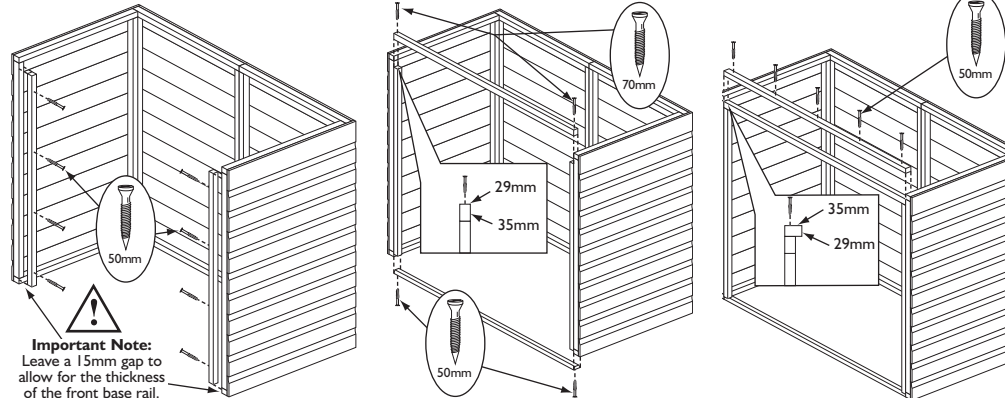


Drill pilot holes for each screw in this section



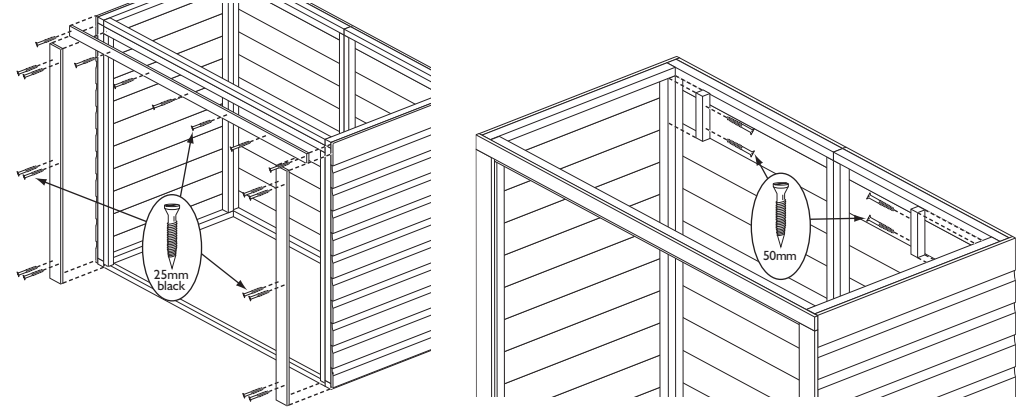
3. Door frames & front base rail

Position the door frame uprights against the inside front frames of the side panels, leave a gap of 15mm (thickness of the front base rail) from the bottom of the panel and secure each upright using 4 x 50mm screws. Attach the front base rail to the bottom of the door frame uprights, using 1 x 50mm screw at each end. Fit the first door header frame to the top of the uprights using 1 x 70mm screw at each end. Attach the second header frame to the first using 5 x 50mm screws. See diagrams below for correct orientation of each header frame.



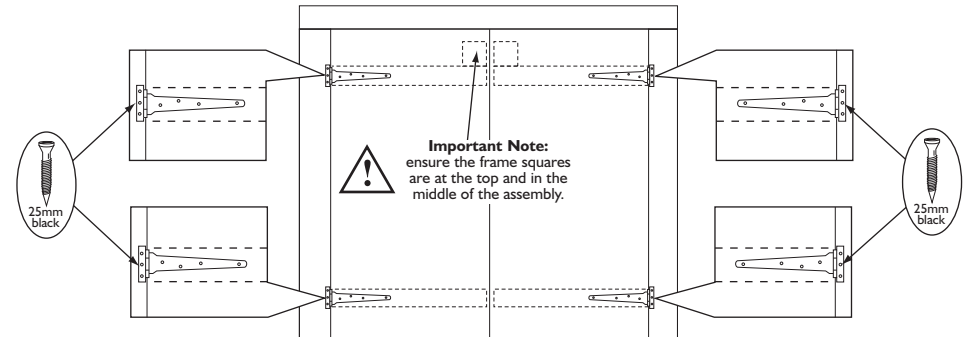
4. Lid stay support blocks, hinge & header strips

Attach the door hinge and header strips as show using 7 x 25mm black screws for the header strip. For each door hinge strip use 6 x 25mm black screws. Fit the lid stay blocks to the rear frames of the side panel just below the top frame. secure each block using 2 x 50mm screws.



5. Doors

For this stage it may be easier to tip the assembly onto its back. Position the doors in place. Note that on the inside the square pieces of framing must be at the top and in the middle of the assembly. Secure to each door two T-hinges using 4 x 25mm black screws per hinge. Ensuring the hinges are aligned with the door framing. Fix each hinge to the hinge strip using 3 x 25mm black screws per hinge.



6. Lids

Attach a lid to a left and right-hand angled lid facia. Using 3 x 50mm screws per facia, screw through the frame of the lid into the frames of the facias. Fit the end panel into the rebate at the end of the lid and attach using 5 x 25mm black screws. Build a second lid in the same way. Place both lids on to the body of the assembly. At the back attach using two hinges and 6 x 25mm screws per hinge.

