

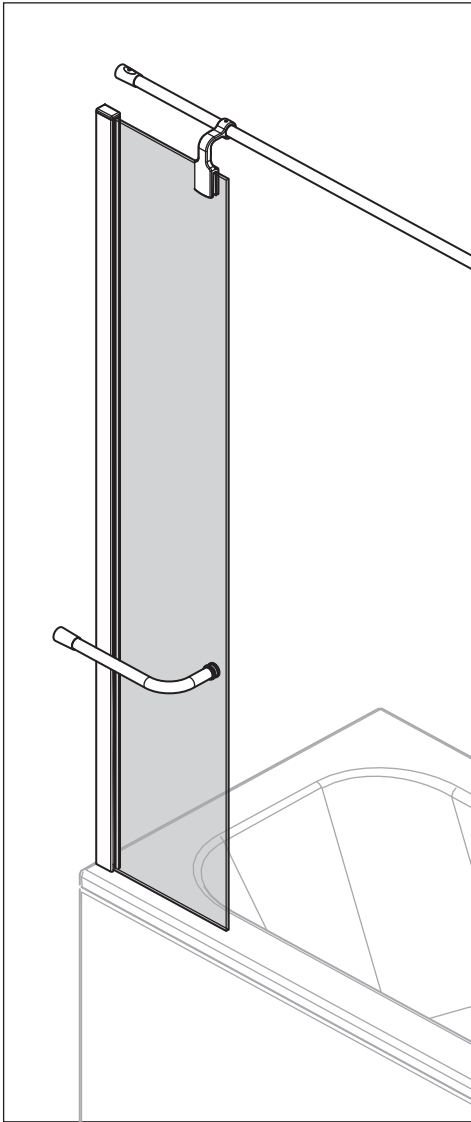
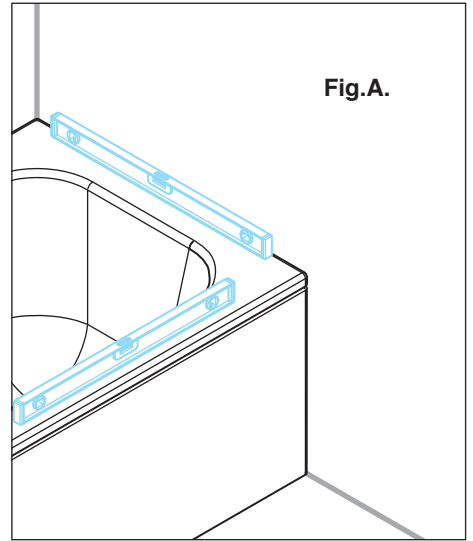
IN00294(rev A)

Half Framed Splash Guard with Rail

• Left and Right Hand fixing variants

Before You Start

- Check that the bath has been installed correctly and that it is level (Fig. A), tiled down onto and sealed to the manufacturer's guidelines. **Please Note:** All product supplied without bath.
- Check that there is sufficient space on the bath for the product.
- Ensure the product is fitted to a non-porous surface ie. tiled. Check that the wall surface is flat.
- Unpack and check the product is complete and undamaged.
- Fixings are supplied for solid walls only. Ensure that the correct fixings are used for the wall type – if in doubt seek professional advice
- Ensure the area is clean, dry and dust free.
- Read the instructions in full.
- Have the correct tools available, (as shown below, see 'Tools Required').



Safety

- Handle all glass with care - support on cardboard to avoid risk of breakage.
- When drilling walls check first for hidden pipes and cables.
- All glass is toughened – it cannot be reworked or replaced by ordinary glass.
- Use safety eyewear when drilling.
- Use safety eyewear when handling glass
- Keep all small parts away from children.

Disclaimer

- Please notify the manufacture immediately of any damage or faults. The manufacturer cannot be held responsible for any installation costs that may arise from damaged or faulty product being installed.
- Please dispose of all packaging with due regard to the environment.

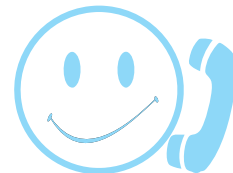
Tools Required (not supplied)

| | | | | | |
|-----------------------------------|--------------------|--|---|----------------------|-----------------------|
| <p>Spirit Level</p> | <p>Screwdriver</p> | <p>Tape Measure</p> | <p>Pencil</p> | <p>Utility Knife</p> | <p>Junior Hacksaw</p> |
| <p>Silicone Gun & Sealant</p> | <p>Power Drill</p> | <p>Suitable Drill Bits</p> <p>6mm dia. *</p> | <p>* Ensure drill bit used is suitable for wall surface</p> | | |



0870 241 6131

LINES OPEN: 8.30am - 5.00pm MONDAY - FRIDAY
STANDARD NATIONAL CALL CHARGE RATE
FROM BT LANDLINES



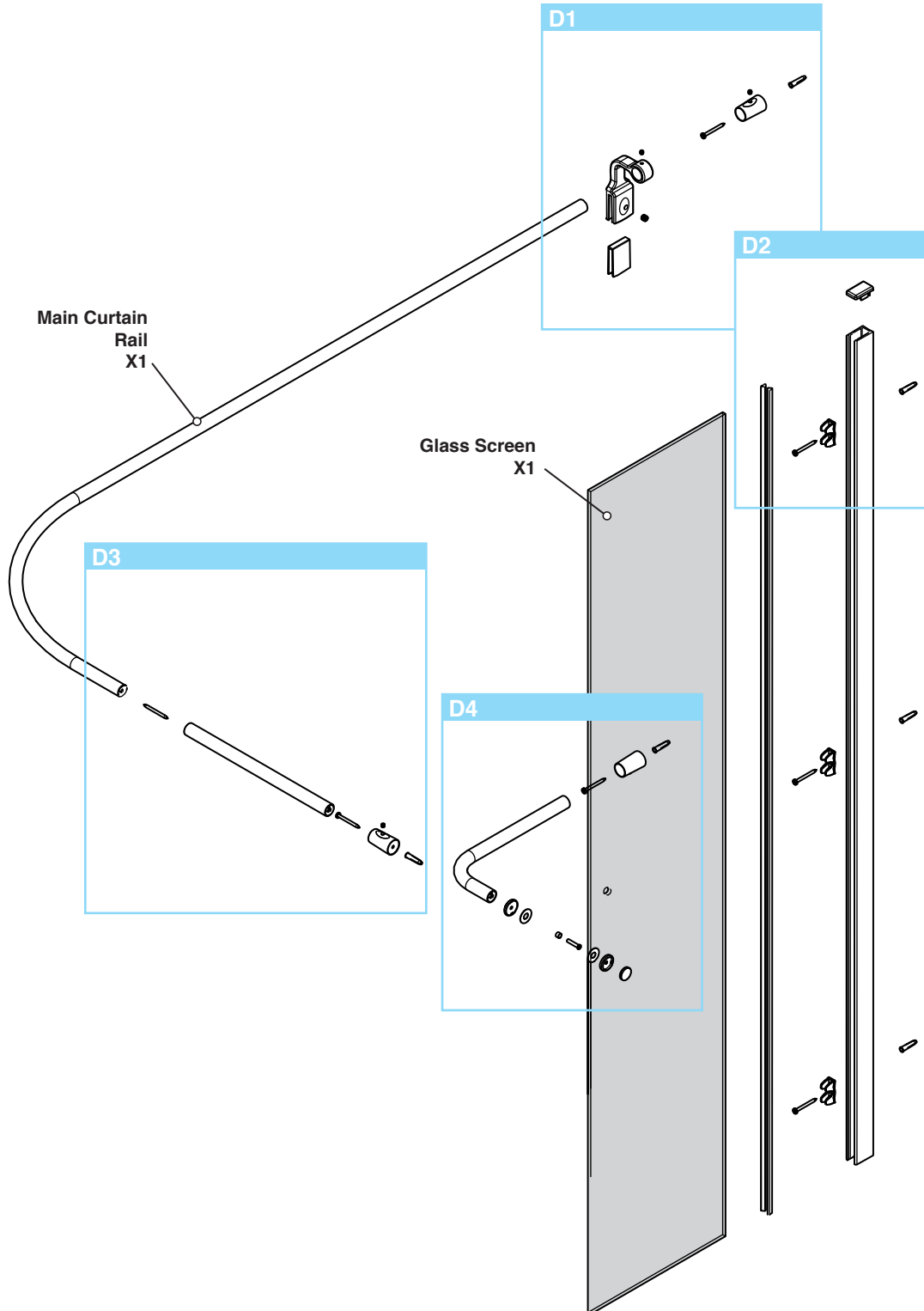
Parts & Fittings Supplied



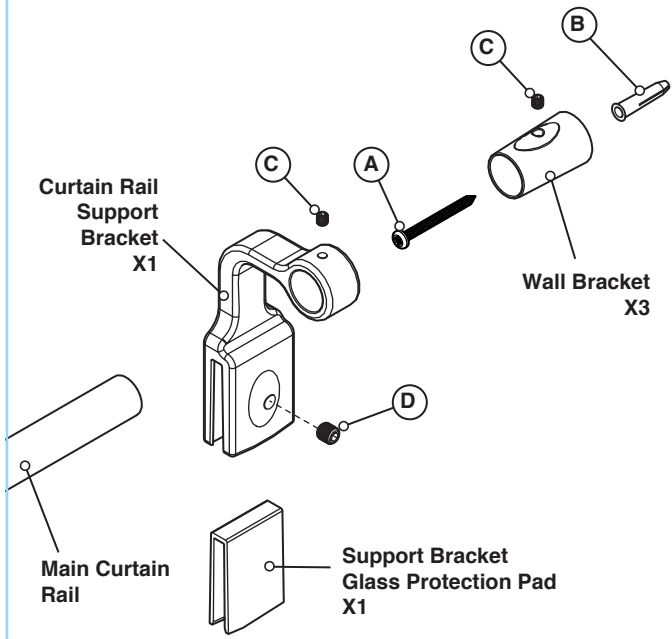
Please notify the manufacture immediately of any damage or faults. The manufacturer cannot be held responsible for any installation costs that may arise from a damaged or faulty product being installed.



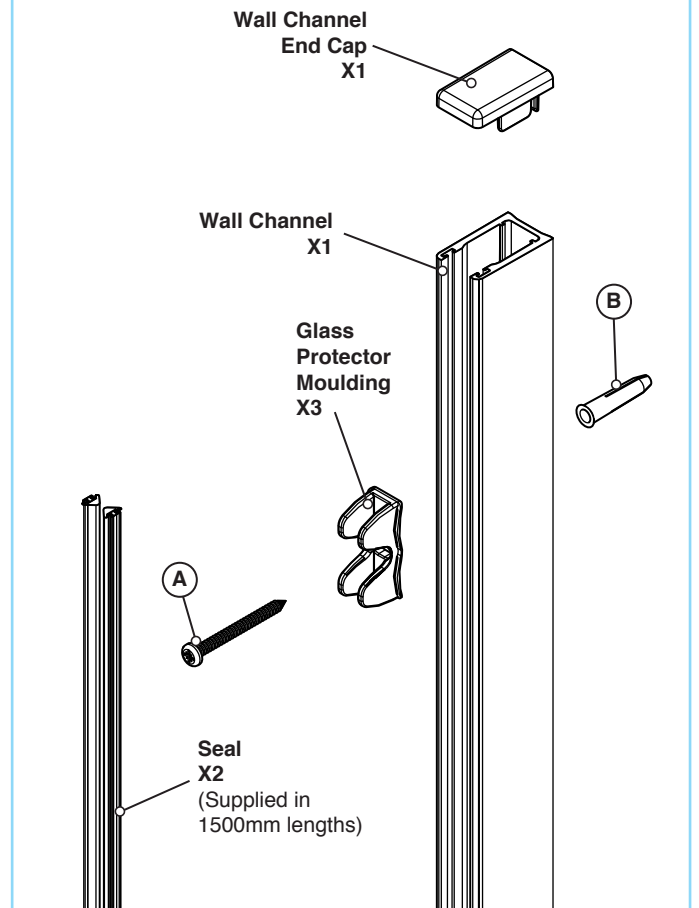
Keep small parts away from children



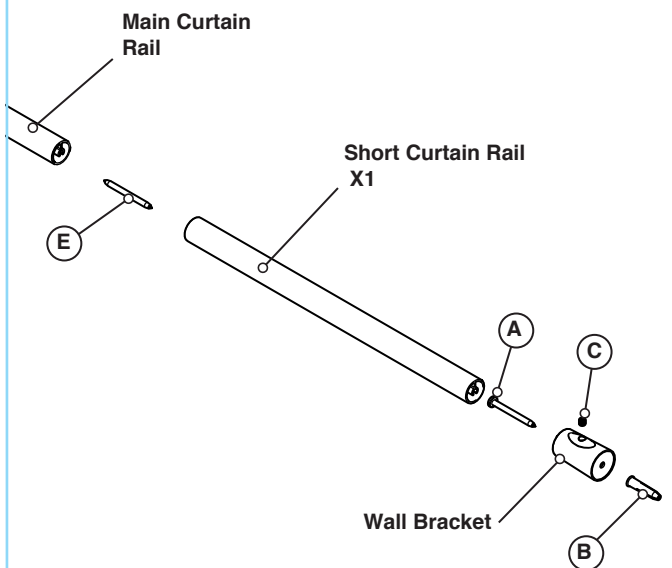
D1



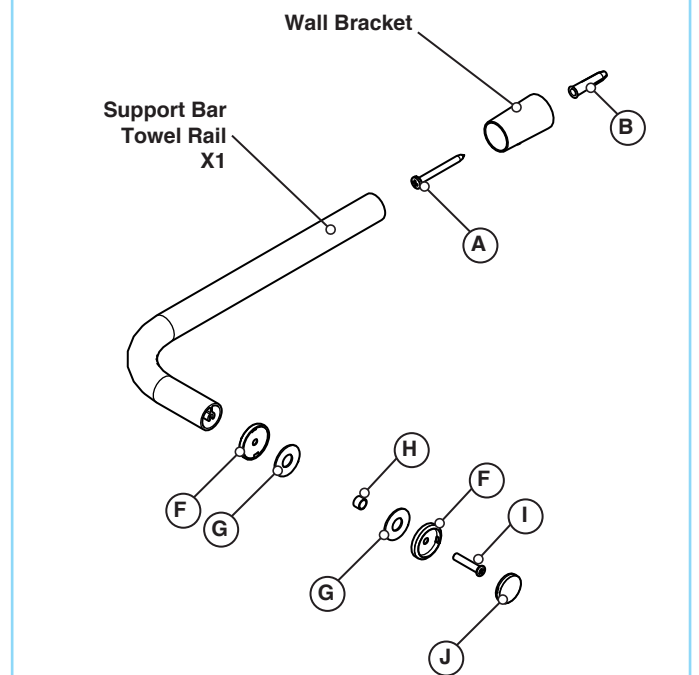
D2



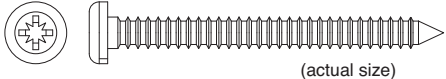
D3

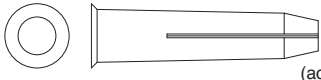



D4

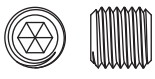


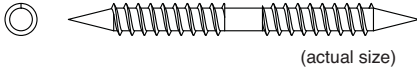
Loose Screws & Fittings Supplied

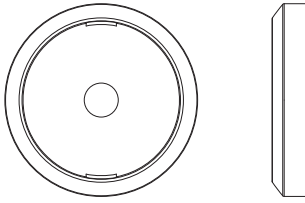
| | | | |
|--|--|---|-----|
| A | | No.8 x 1 $\frac{3}{4}$ " Pan Head Pozi Screws | Qty |
|  (actual size) | | x6 | |

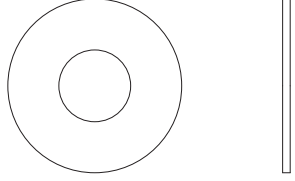
| | | | |
|--|--|------------|-----|
| B | | Wall Plugs | Qty |
|  (actual size) | | x6 | |


| | | | |
|--|--|------------------------------|-----|
| C | | M5 x 5 Socket Set Grub Screw | Qty |
|  (actual size) | | x3 | |

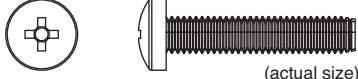
| | | | |
|--|--|------------------------------|-----|
| D | | M8 x 8 Socket Set Grub Screw | Qty |
|  (actual size) | | x1 | |

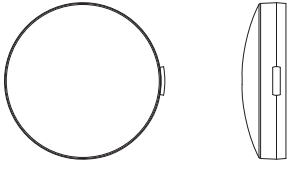
| | | | |
|--|--|----------------------|-----|
| E | | No.8 x 2 Dowel Screw | Qty |
|  (actual size) | | x1 | |

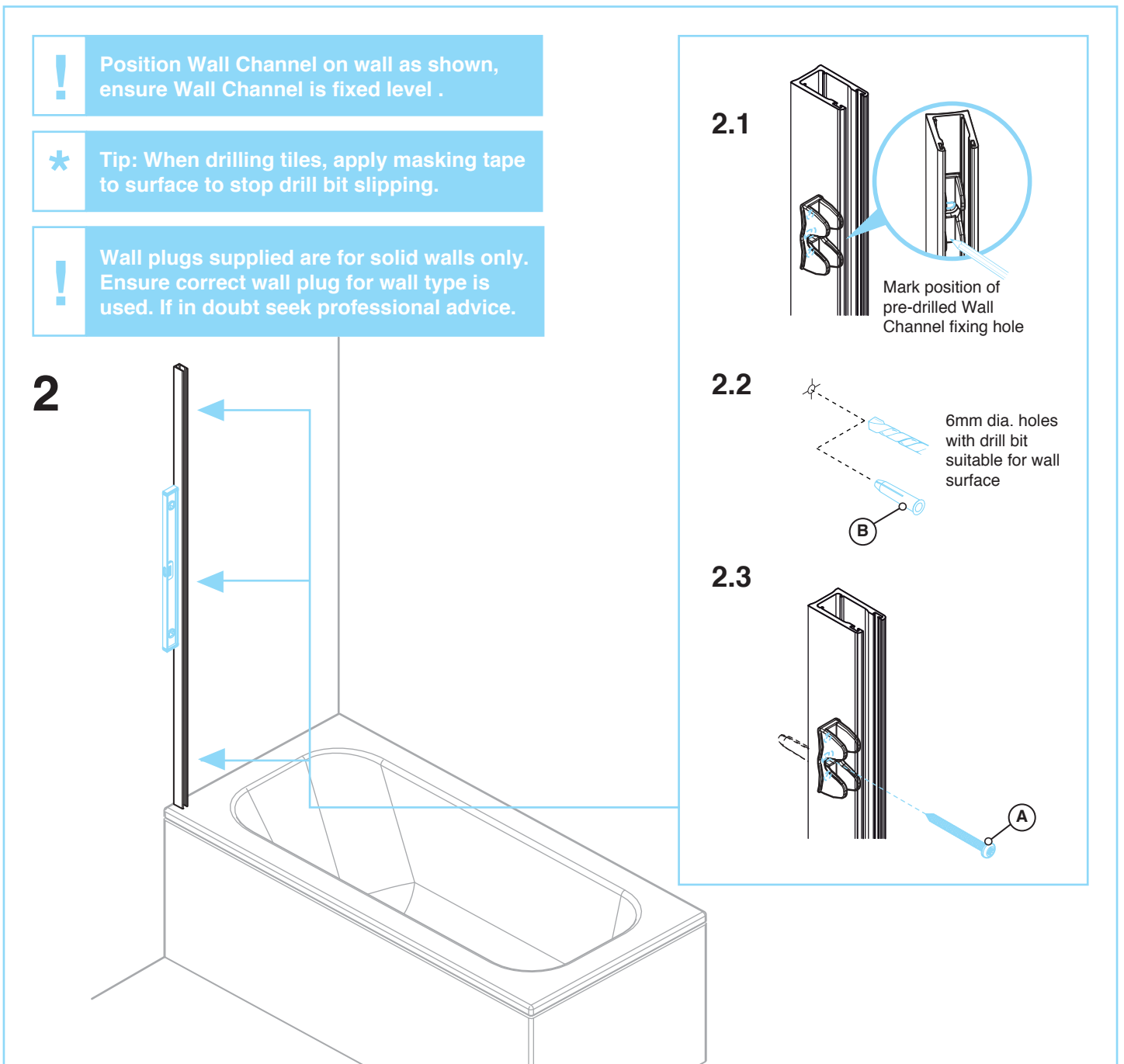
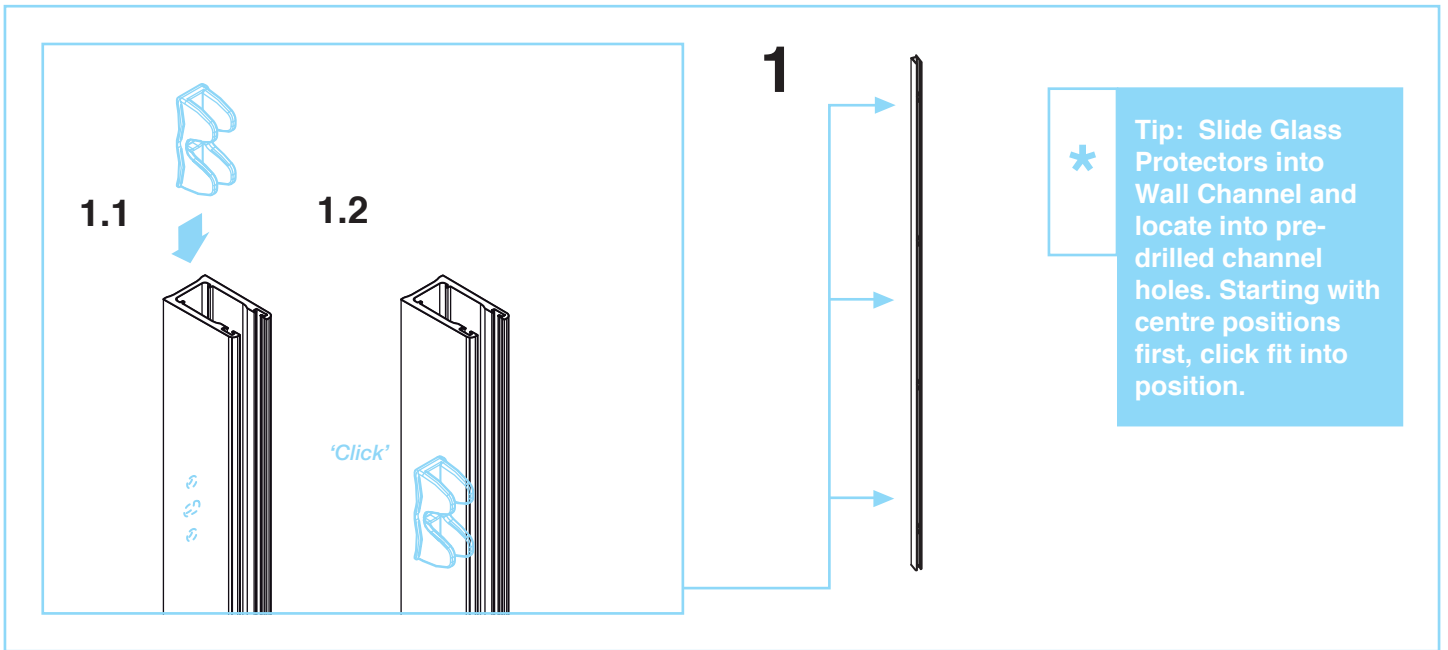
| | | | |
|--|--|-------------------|-----|
| F | | Glass Pad Bracket | Qty |
|  (actual size) | | x2 | |

| | | | |
|---|--|-------------------|-----|
| G | | Bearing Glass Pad | Qty |
|  (actual size) | | x2 | |

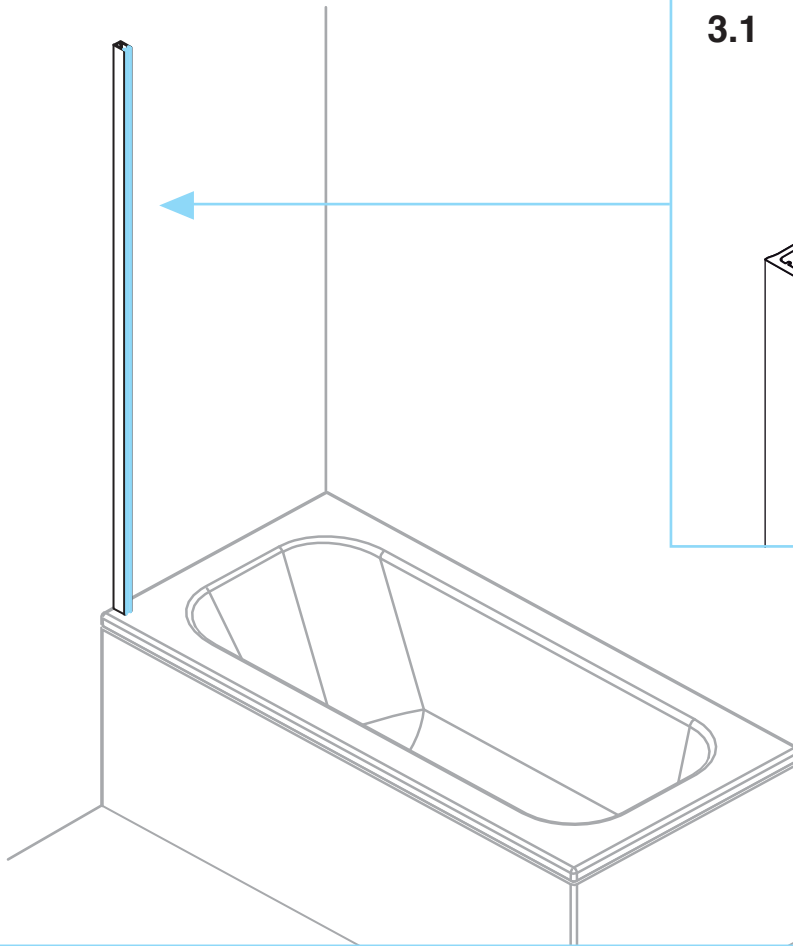
| | | | |
|---|--|-------------------------|-----|
| H | | Glass Protector Bushing | Qty |
|  (actual size) | | x1 | |

| | | | |
|---|--|-------------------------------------|-----|
| I | | M5 x 25 Pozi Pan Head Taptite Screw | Qty |
|  (actual size) | | x1 | |

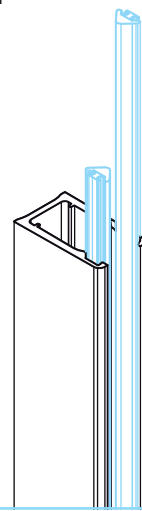
| | | | |
|---|--|-----------|-----|
| J | | Cover Cap | Qty |
|  (actual size) | | x2 | |



3

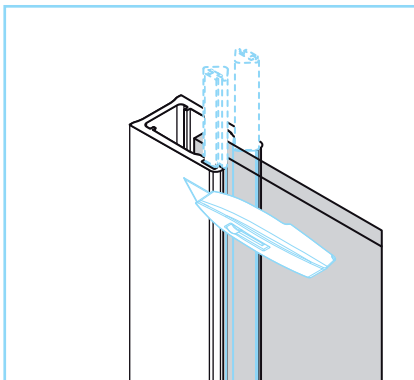


3.1



Note: Seal is supplied oversized, cut to suit.

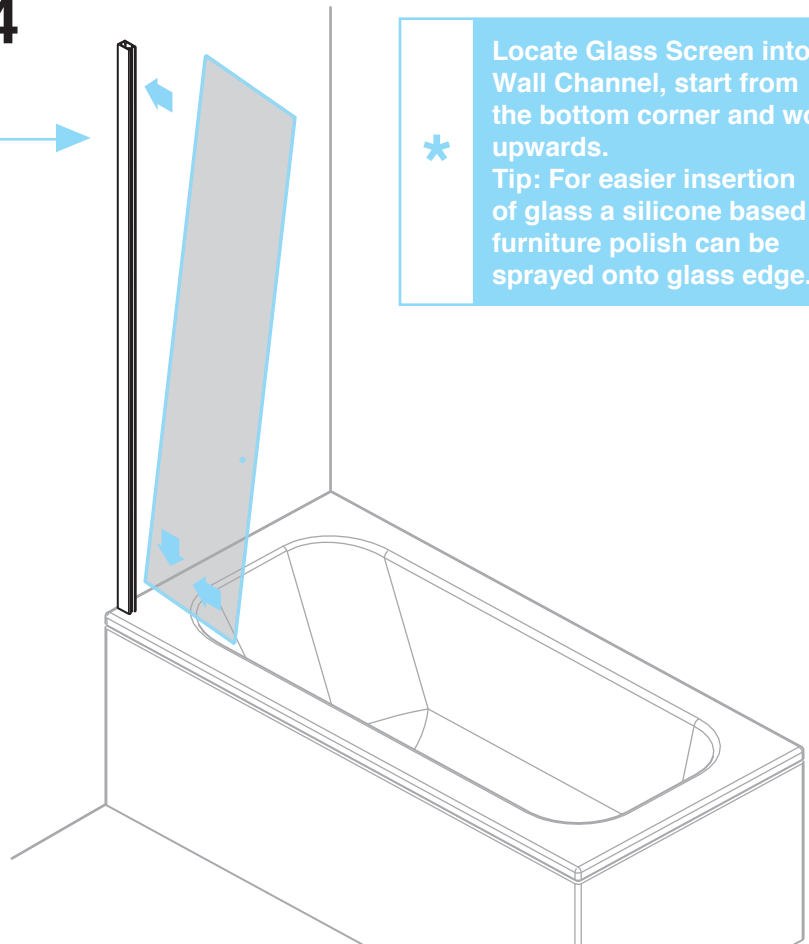
4

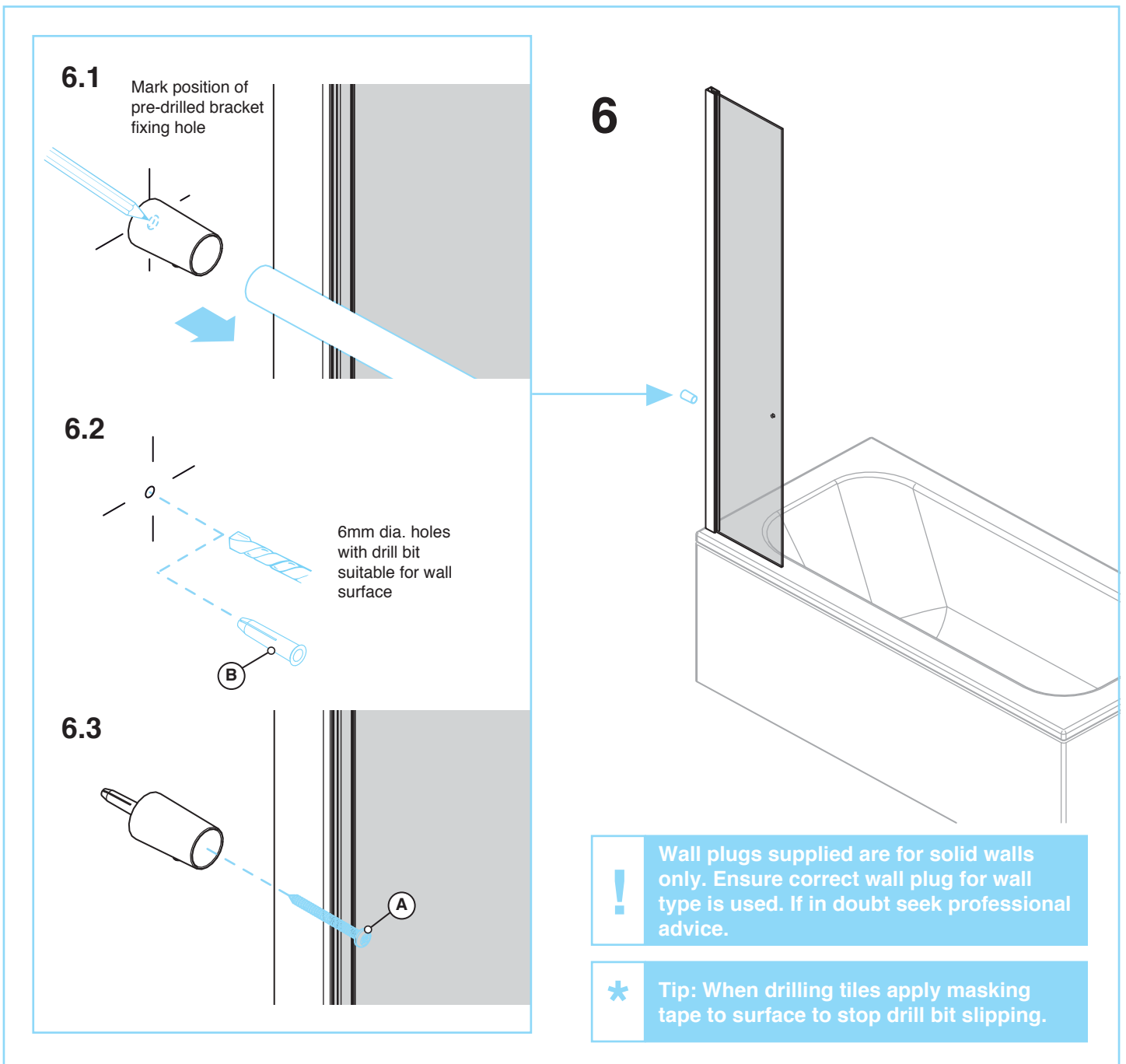
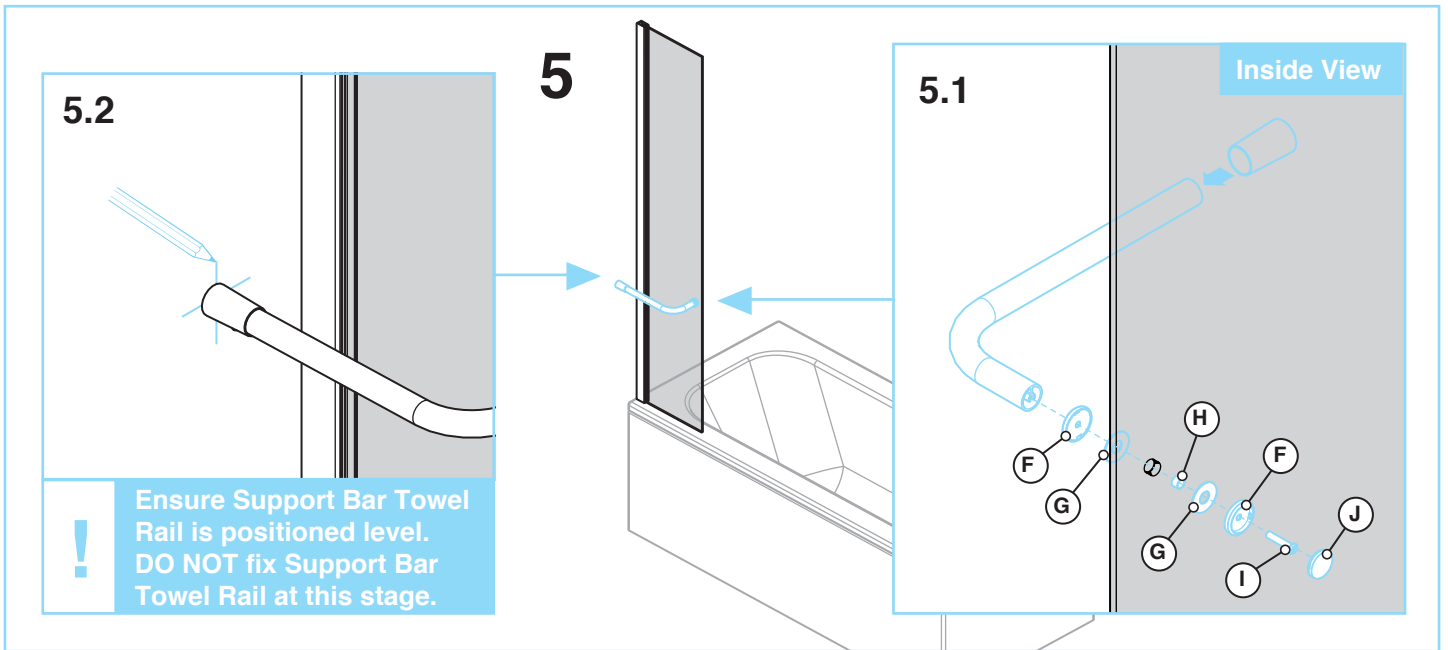


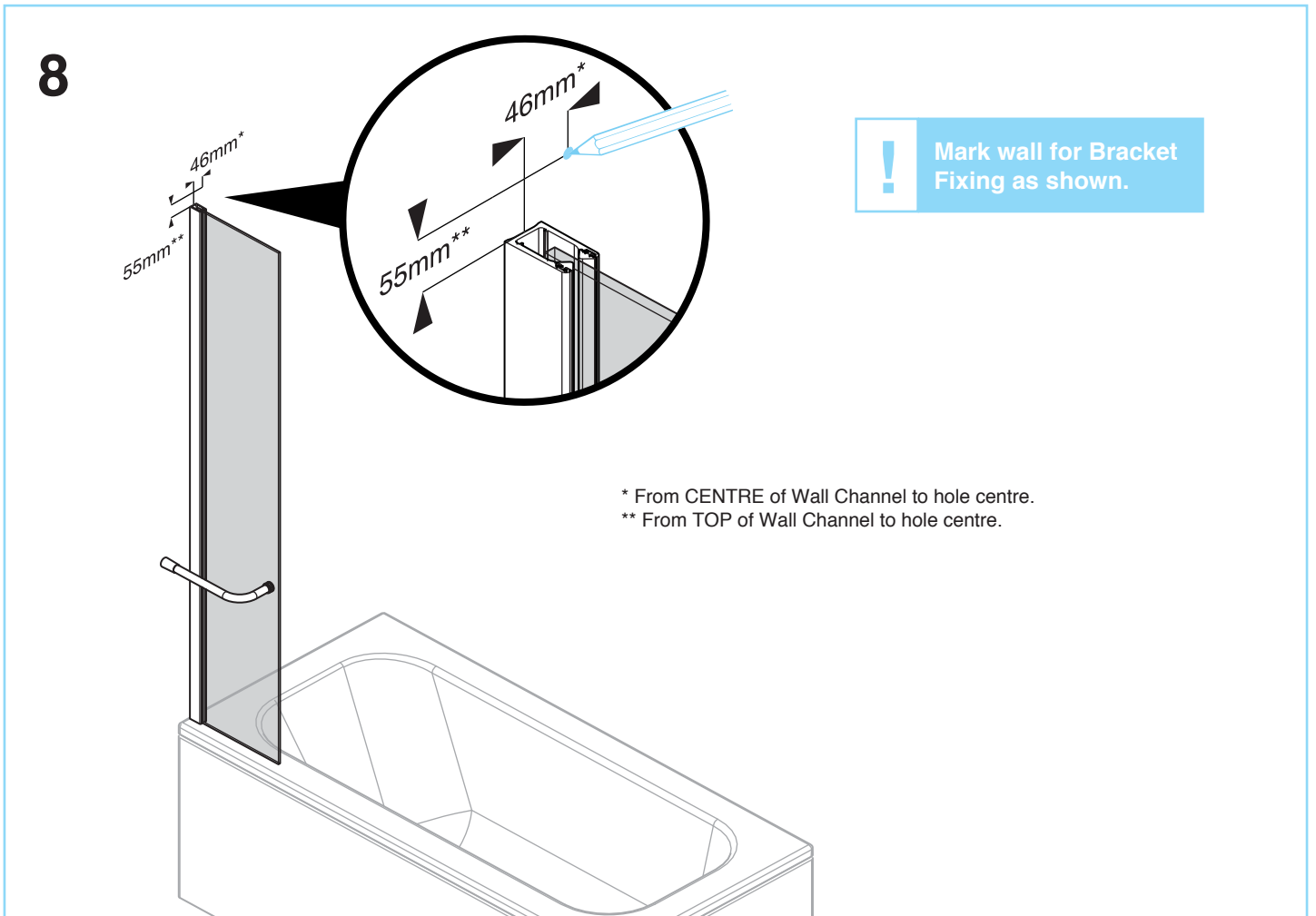
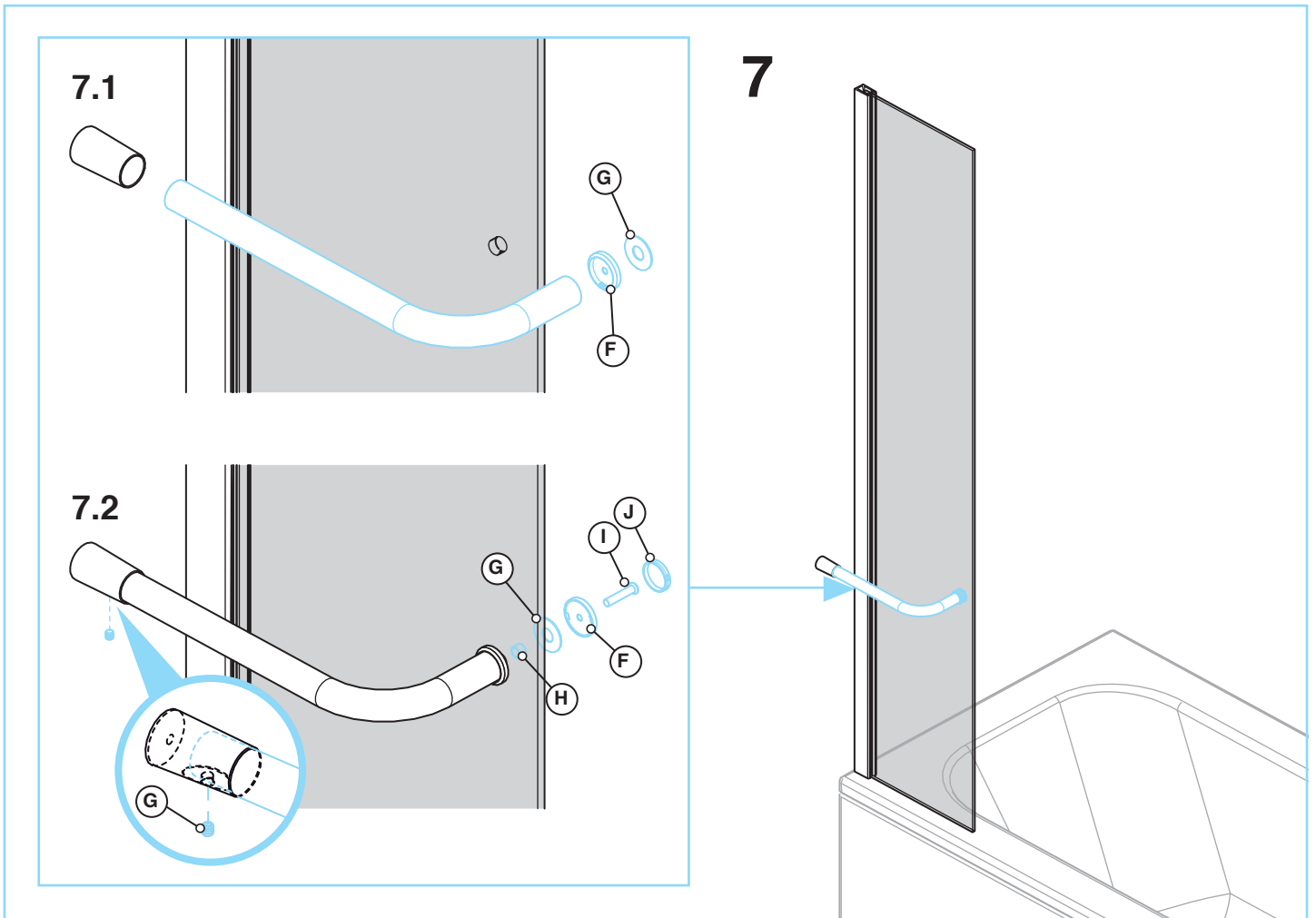
When glass panel is correctly positioned cut and remove any seal overlap.



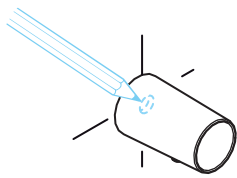
Locate Glass Screen into Wall Channel, start from the bottom corner and work upwards.
Tip: For easier insertion of glass a silicone based furniture polish can be sprayed onto glass edge.





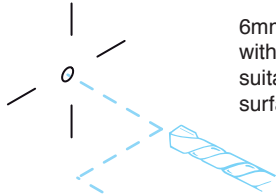


9.1



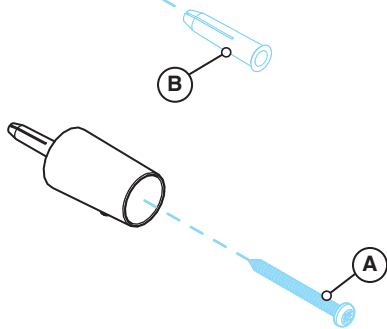
Mark position of pre-drilled bracket fixing hole

9.2



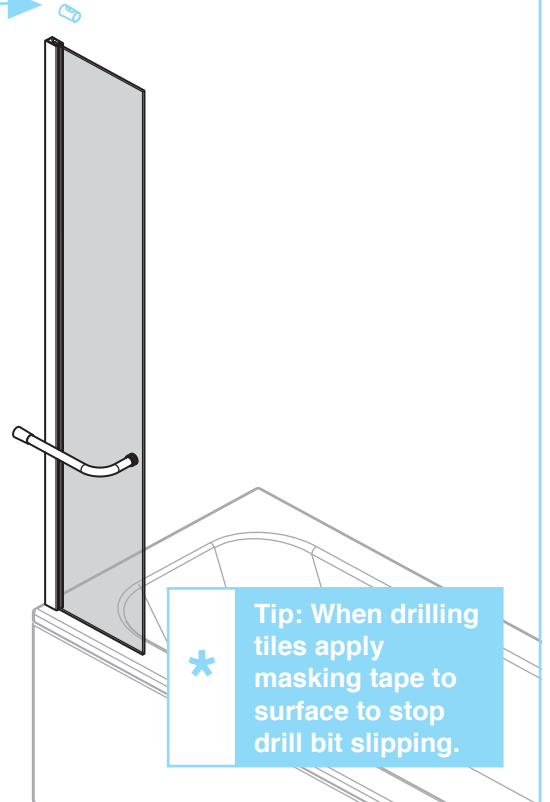
6mm dia. holes with drill bit suitable for wall surface

9.3



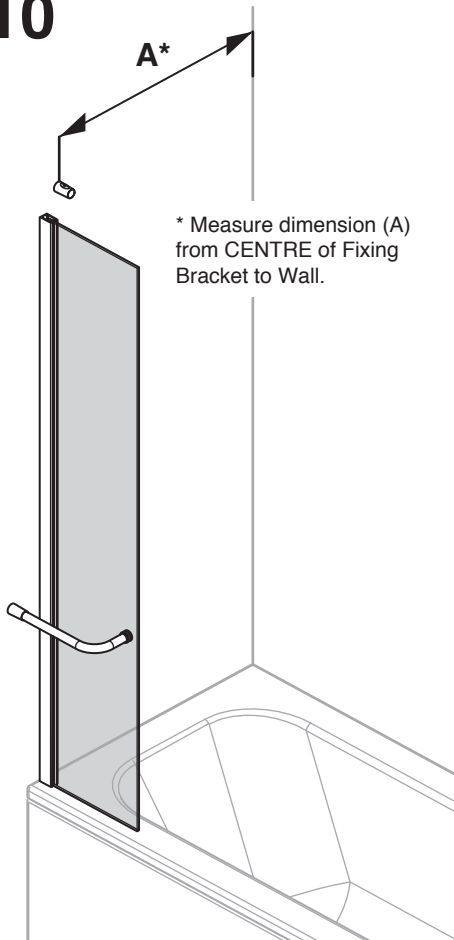
Wall plugs supplied are for solid walls only. Ensure correct wall plug for wall type is used. If in doubt seek professional advice.

9



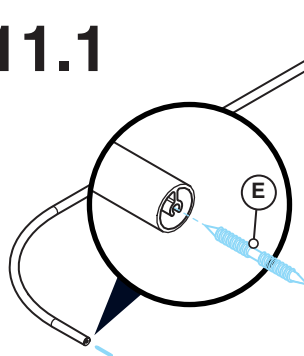
* Tip: When drilling tiles apply masking tape to surface to stop drill bit slipping.

10

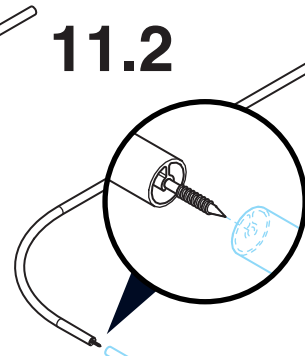


* Measure dimension (A) from CENTRE of Fixing Bracket to Wall.

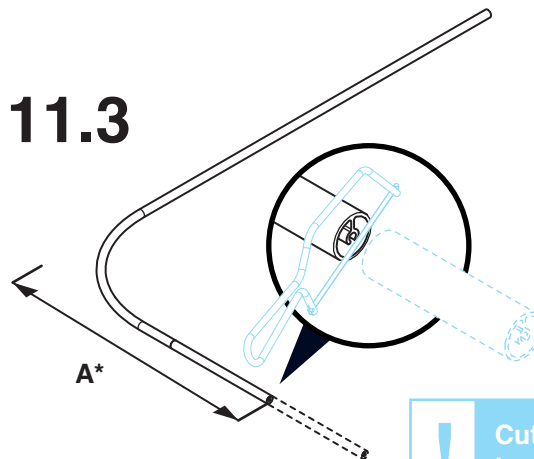
11.1



11.2



11.3



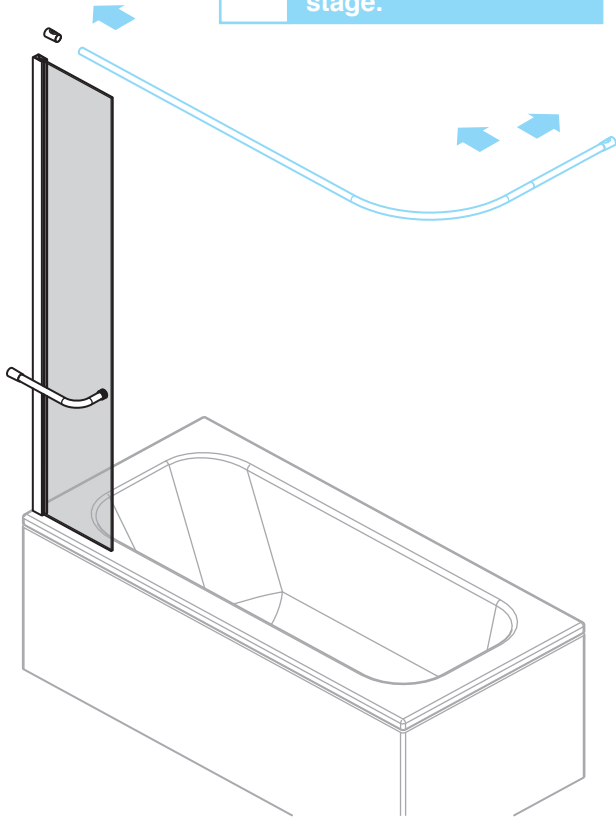
* Measure dimension (A) from CENTRE of Fixing Bracket to Wall.



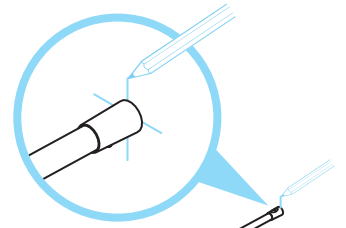
Cut Short Curtain Rail to suit dimension A.

12

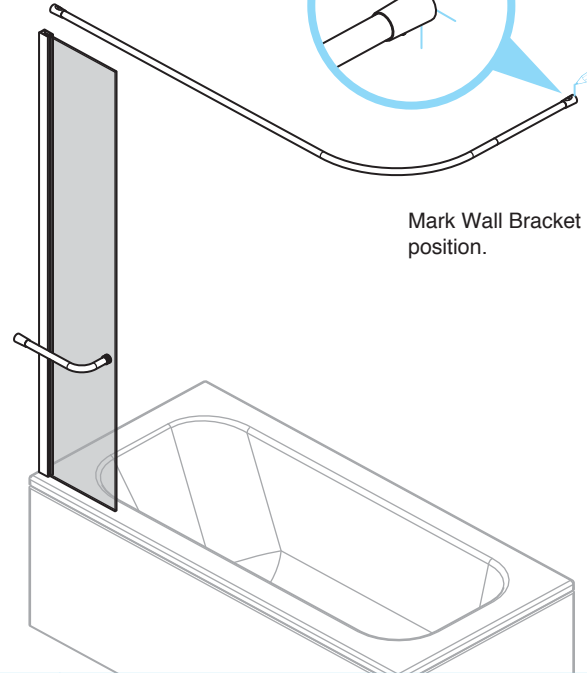
! Position assembled Curtain Rail only. DO NOT fix at this stage.



13

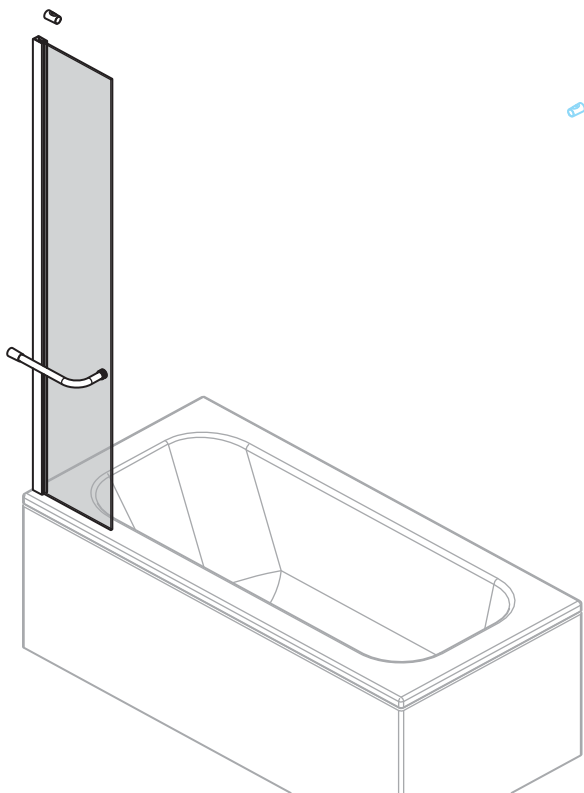


Mark Wall Bracket position.



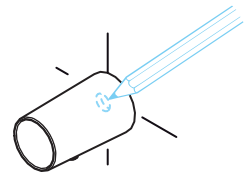
! Ensure Curtain Rail is positioned level. DO NOT fix Curtain Rail at this stage.

14



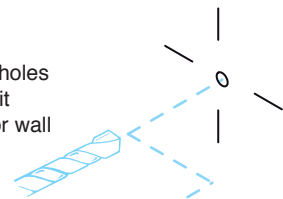
14.1

Mark position of pre-drilled bracket fixing hole

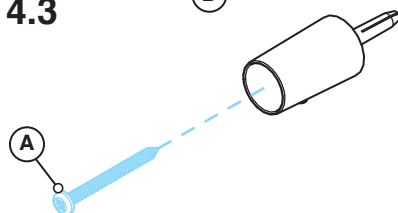


14.2

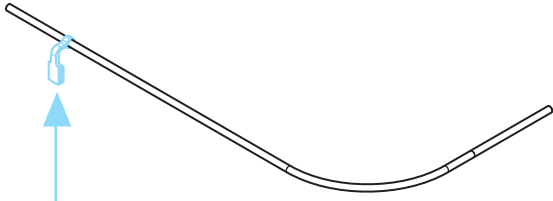
6mm dia. holes with drill bit suitable for wall surface



14.3



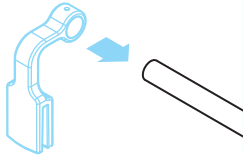
15



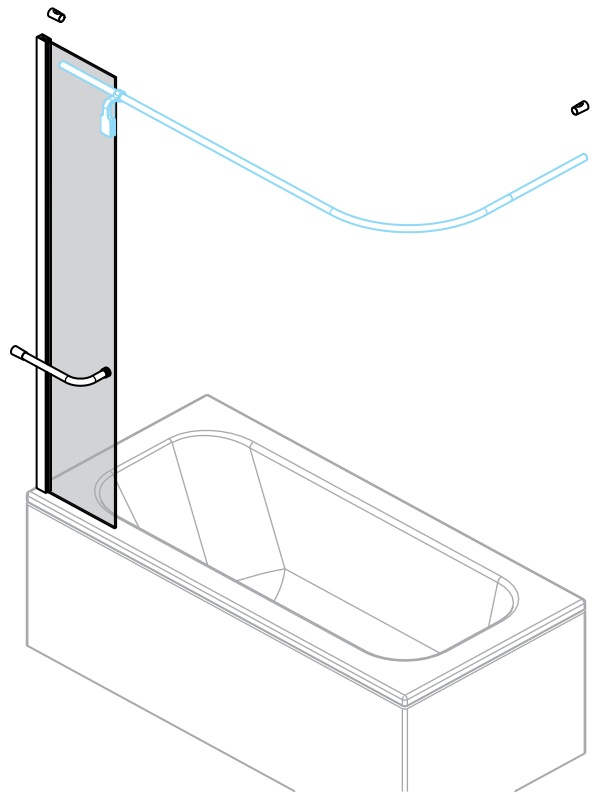
15.1



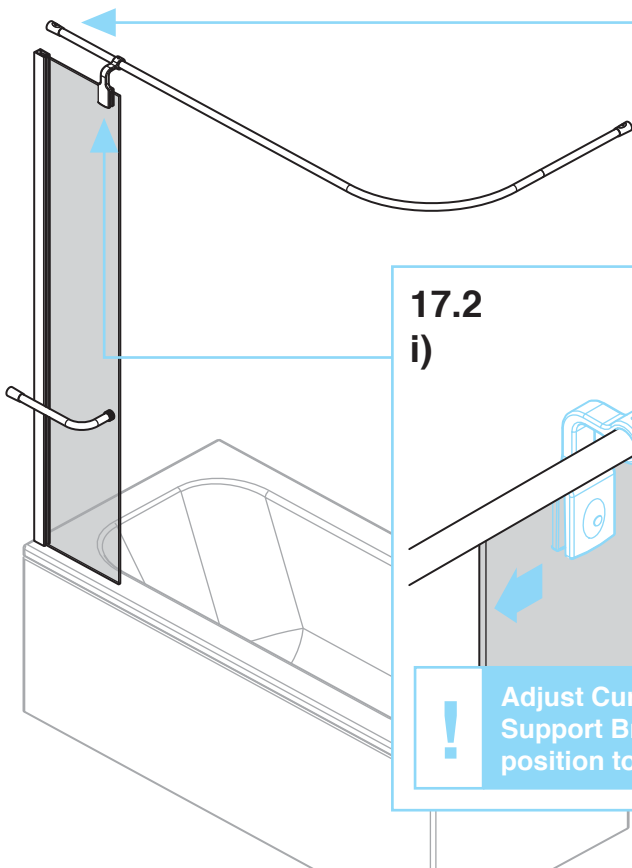
15.2



16



17

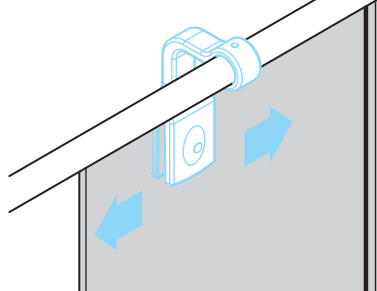


17.1



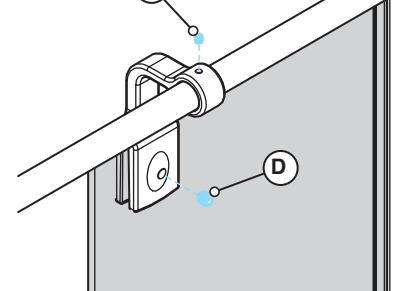
17.2

i)



! Adjust Curtain Rail Support Bracket position to suit.

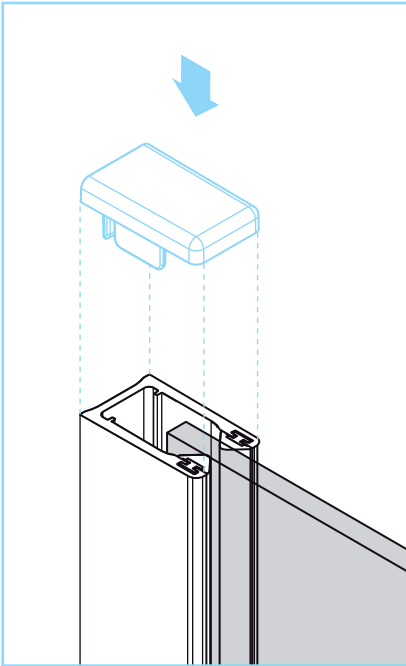
ii)



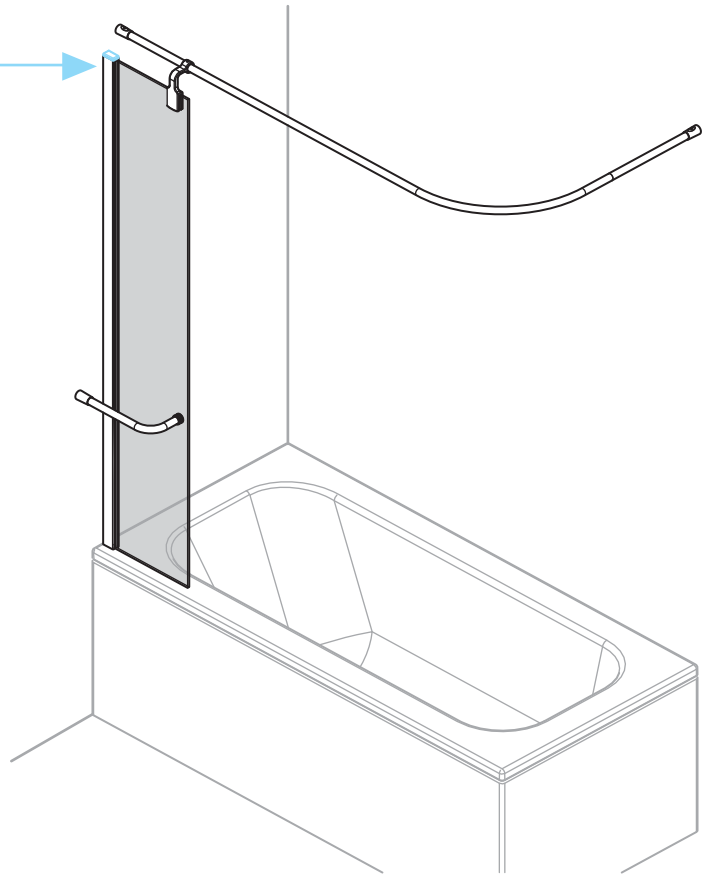
Inside View

! Ensure correct Grub Screw is used.

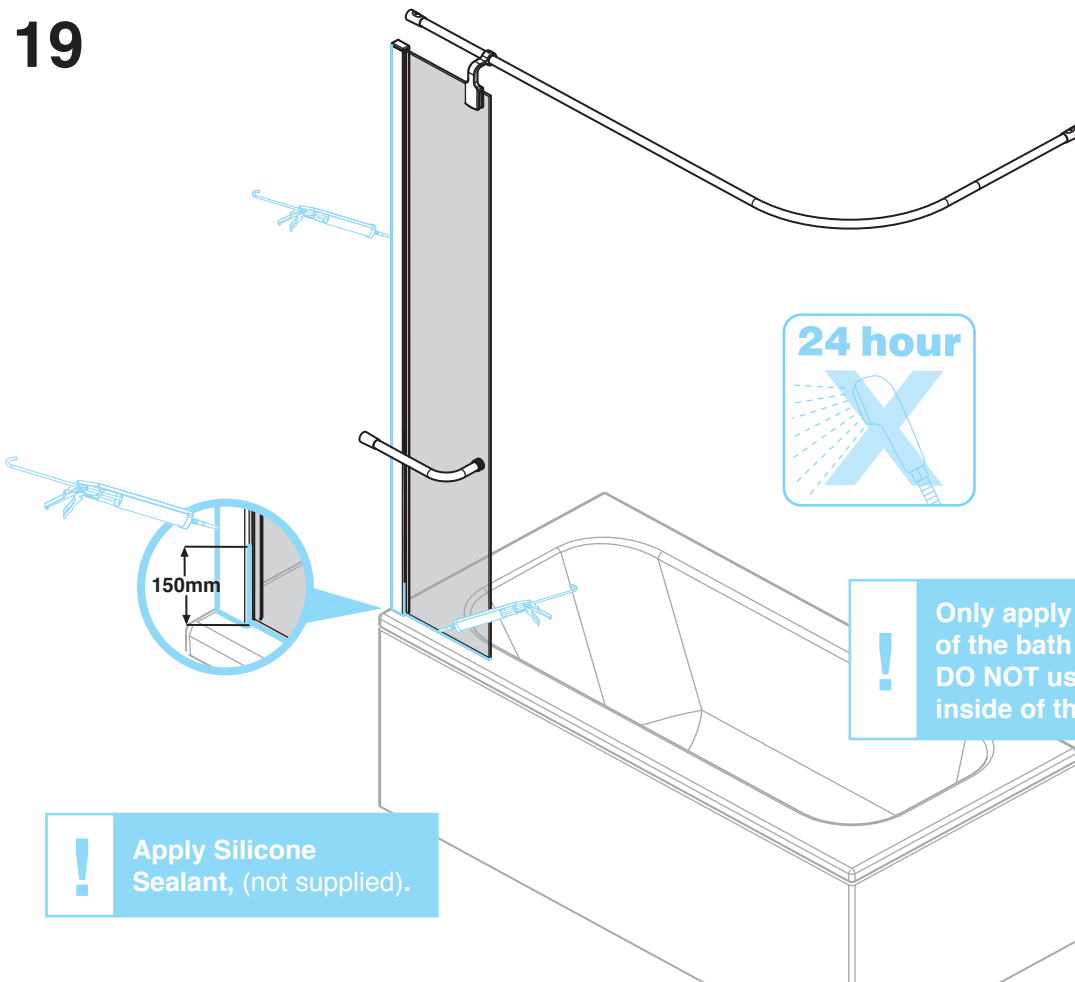
18



Push Fit Wall Channel End Caps in to position.



19



Apply Silicone Sealant, (not supplied).



Only apply sealant to the outside of the bath screen.
DO NOT use silicone sealant on inside of the enclosure.

Check out our full range of Shower Enclosures

Quadrant Shower Enclosures

Corner Entry Shower Enclosures

Walk in Shower Enclosures

Sliding Shower Doors

Bifold Shower Doors

Pivot Shower Doors

Hinged Shower Doors

Shower Screens

From Top Brands

Coram Shower Enclosures

Mira Shower Enclosures

Hydrolux Shower Enclosures

Diamond Shower Enclosures

With quality shower trays to match your enclosure

Square Shower Trays

Rectangular Shower Trays

Quadrant Shower Trays

Coram Shower Trays

Mira Flight Shower Trays

plumbworld
Big brands, small prices.