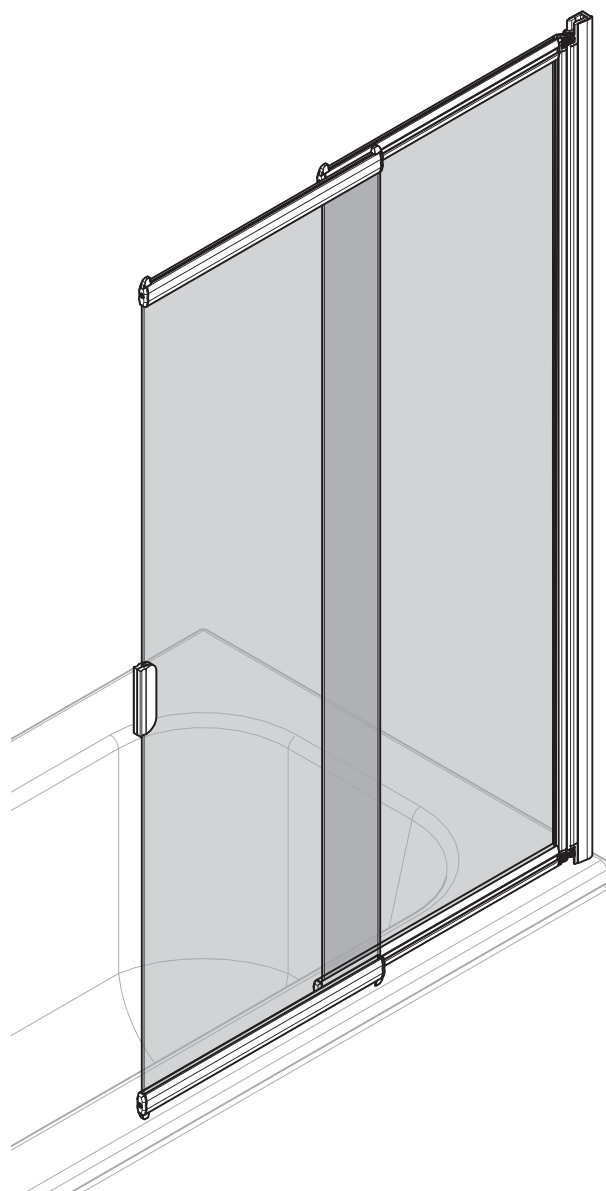


IN00050 (rev D)

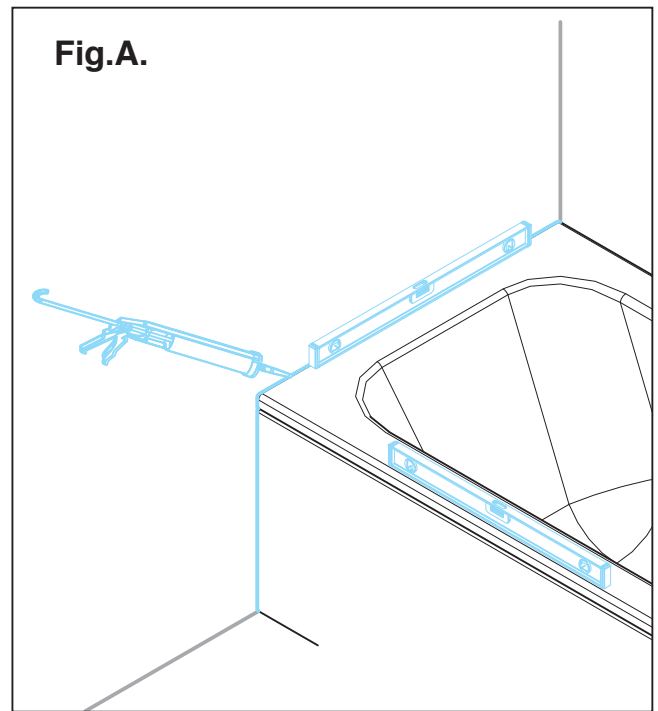
# Two Panel Sliding Bath Screen

- Instruction suitable for both Right and Left Hand Fixing



## Before You Start

- Check that the bath has been installed correctly and that it is level (Fig. A), tiled down onto and sealed to the manufacturer's guidelines. **Please Note:** All product supplied without bath.
- Check that there is sufficient space on the bath for the product and that the screen movement does not foul other items such as sinks and taps.
- Ensure the product is fitted to a non-porous surface ie. tiled. Check that the wall surface is flat.
- Unpack and check the product is complete and undamaged.
- Fixings are supplied for solid walls only. Ensure that the correct fixings are used for the wall type – if in doubt seek professional advice
- Ensure the area is clean, dry and dust free.
- Read the instructions in full.
- Have the correct tools available, (as shown below, see 'Tools Required').



## Safety

- Handle all glass with care - support on cardboard to avoid risk of breakage.
- This product is heavy and requires 2 people to carry and install it.
- When drilling walls check first for hidden pipes and cables.
- All glass is toughened – it cannot be reworked or replaced by ordinary glass.
- Use safety eyewear when drilling.
- Use safety eyewear when handling glass.
- Keep all small parts away from children.

## Disclaimer

- Please notify the retailer immediately of any damage or faults. The manufacturer cannot be held responsible for any installation costs that may arise from damaged or faulty product being installed.
- Please dispose of all packaging with due regard to the environment.

## Tools Required (not supplied)

<p>Spirit Level</p>	<p>Screwdriver</p>	<p>Tape Measure</p>	<p>Pencil</p>	<p>Utility Knife</p>
<p>Junior Hacksaw</p>	<p>Silicone Gun &amp; Sealant</p>	<p>Power Drill</p>	<p>Suitable Drill Bits</p> <p>6mm dia. *</p> <p>3mm dia. HSS</p>	<p>* Ensure drill bit used is suitable for wall surface</p>



**Help Line: 0870 241 6131**

Lines open: 8.30am - 5.00pm Monday to Friday  
Standard National call charge rate from BT landlines

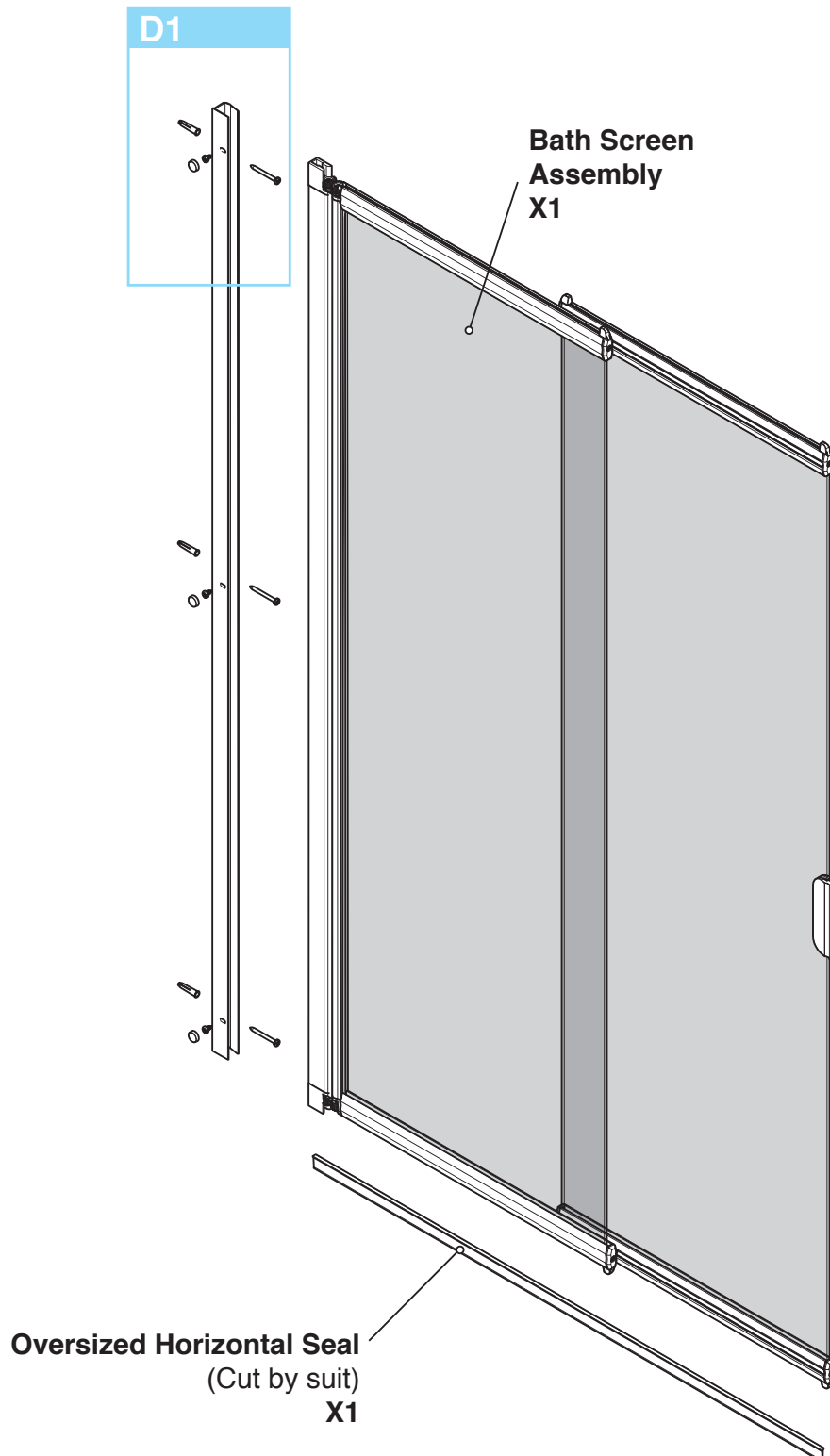
# Parts & Fittings Supplied

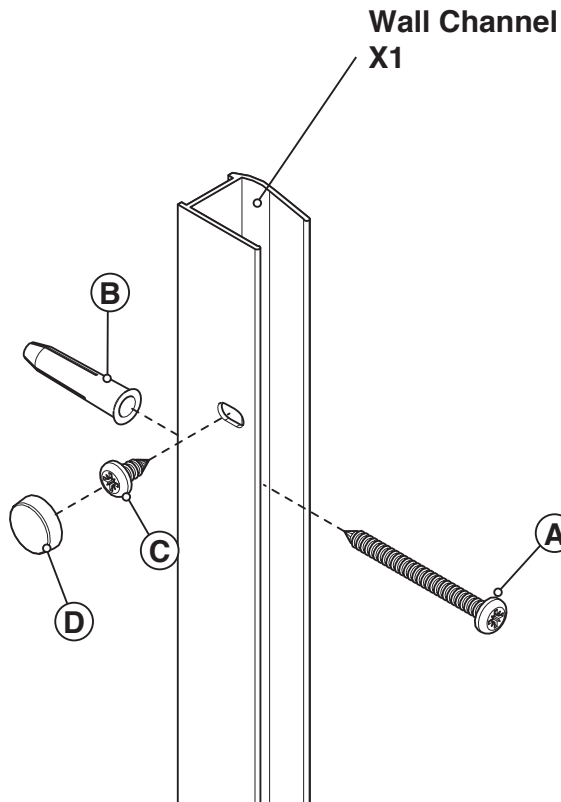


Keep small parts away from children

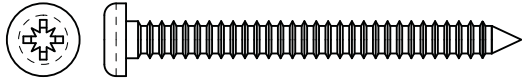

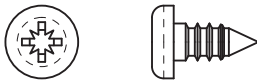
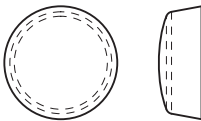


Please notify the retailer immediately of any damage or faults. The manufacturer cannot be held responsible for any installation costs that may arise from a damaged or faulty product being installed.

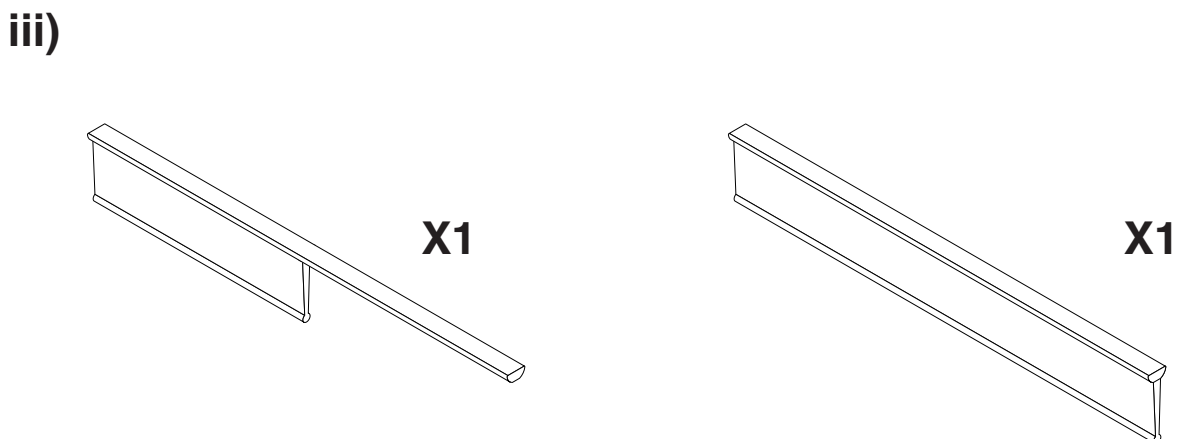
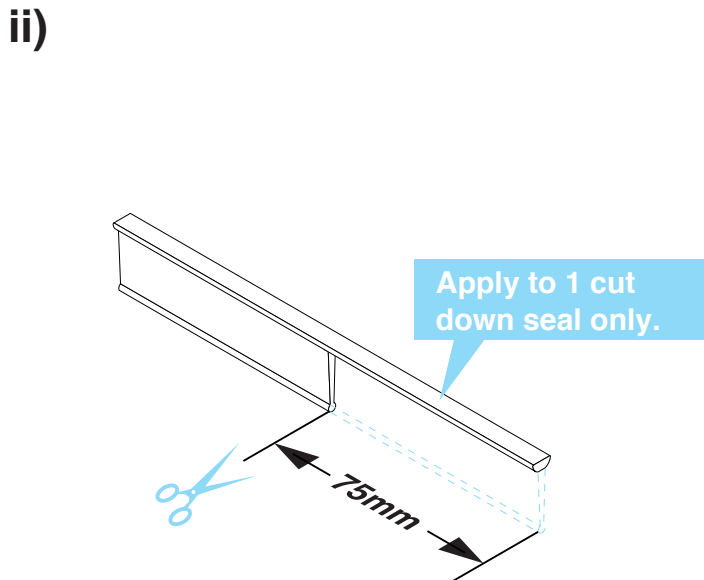
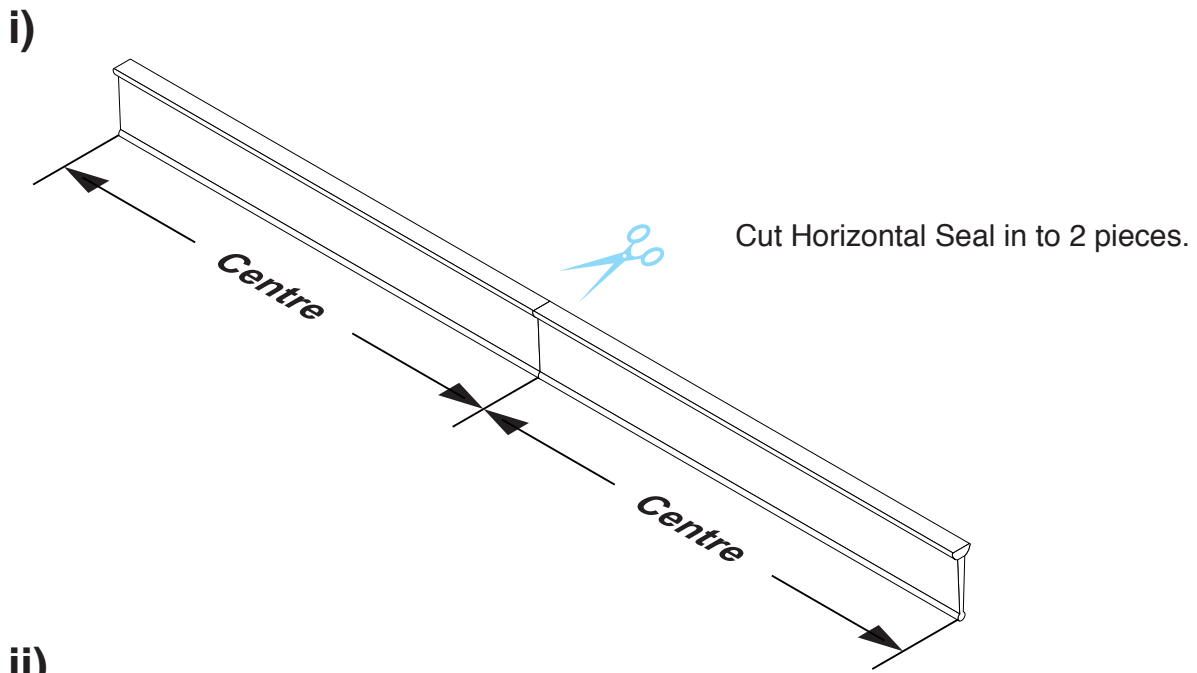




## Loose Screws & Fittings Supplied

<p><b>A</b></p>	<p>No.8 x 1" Pan Head Pozi Screws</p>	 <p>(actual size)</p>	<p>Qty <b>x3</b></p>
<p><b>B</b></p>	<p>Wall Plugs</p>	 <p>(actual size)</p>	<p>Qty <b>x3</b></p>
<p><b>C</b></p>	<p>No.8 x 3/8" Pan Head Pozi Screws</p>	 <p>(actual size)</p>	<p>Qty <b>x3</b></p>
<p><b>D</b></p>	<p>Screw Cover Caps</p>	 <p>(actual size)</p>	<p>Qty <b>x3</b></p>

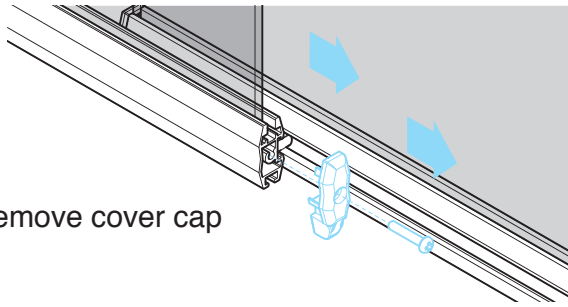
## Horizontal Seal Preparation



1.1

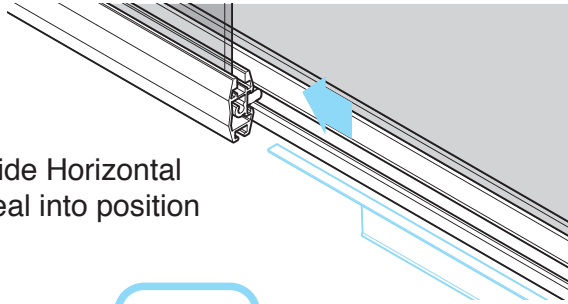
Inside View

Remove cover cap



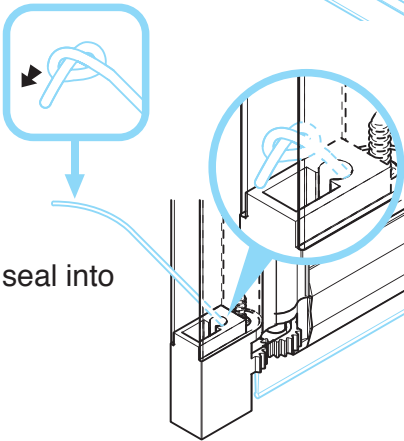
1.2

Slide Horizontal Seal into position



1.3

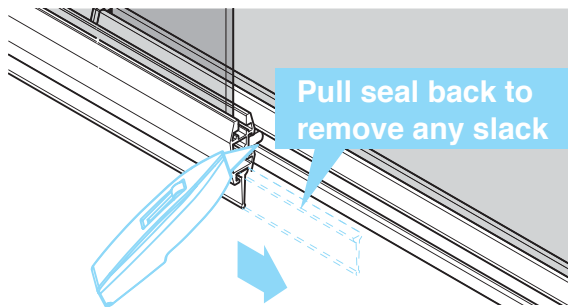
Tie end of seal into tight knot



1.4

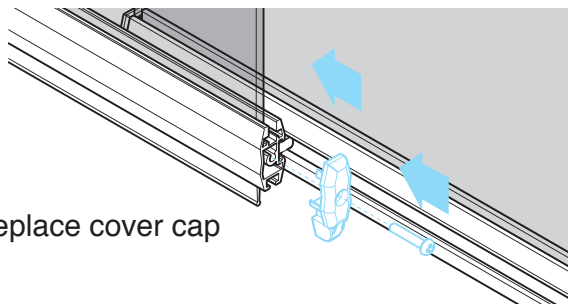
Pull seal back to remove any slack

Trim Horizontal Seal overlap



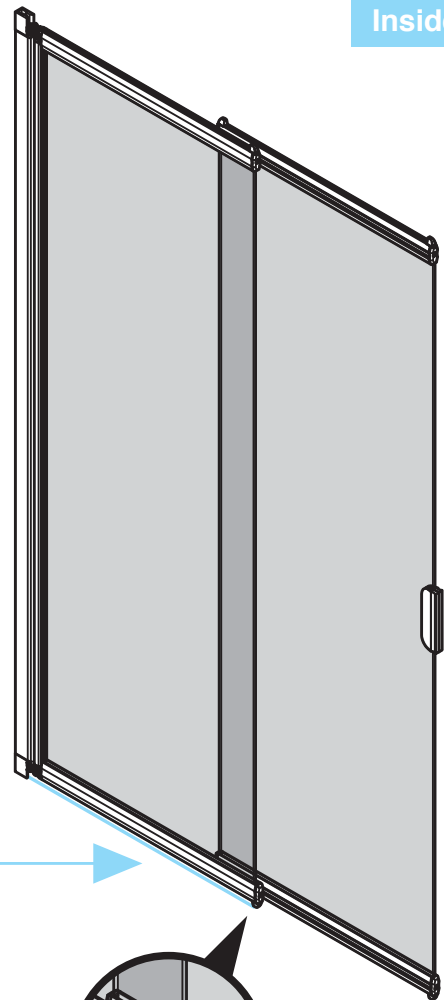
1.5

Replace cover cap



1

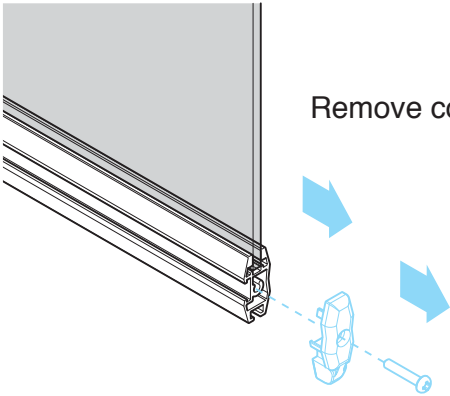
Inside View



2.1

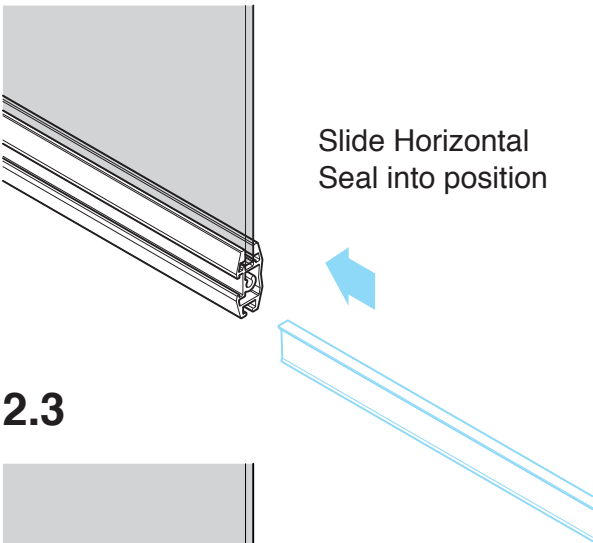
Inside View

Remove cover cap



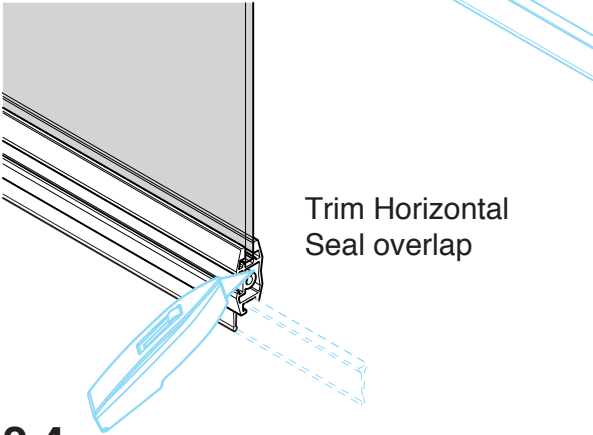
2.2

Slide Horizontal Seal into position



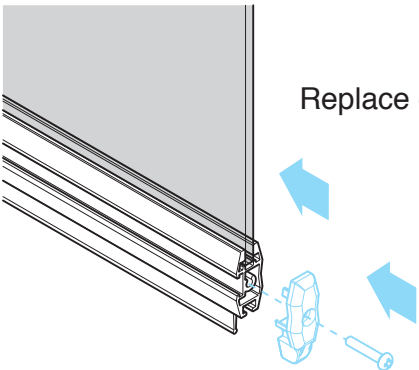
2.3

Trim Horizontal Seal overlap

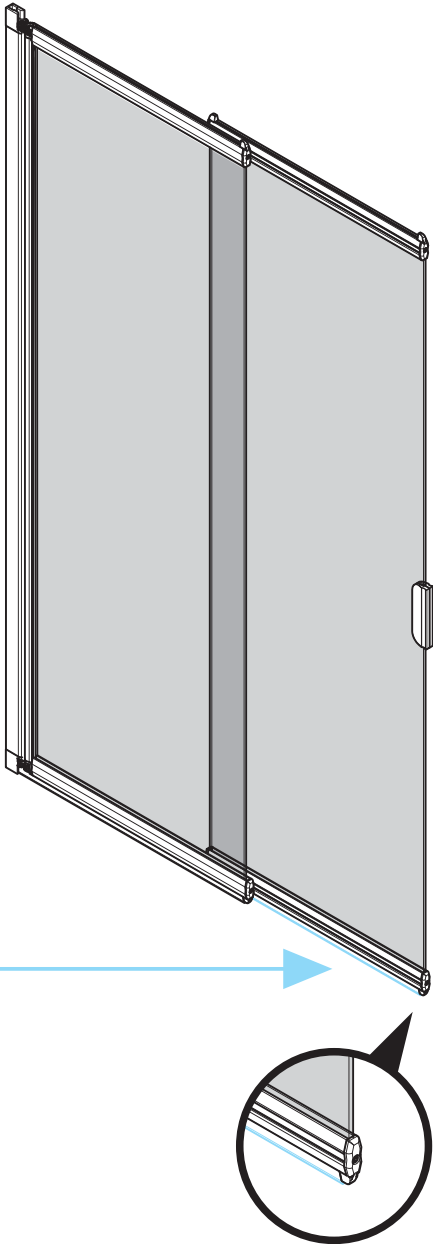


2.4

Replace cover cap

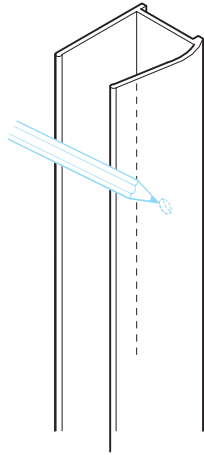


2



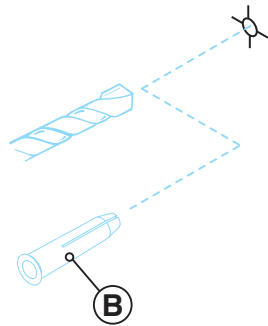
### 3.1

Mark position  
pre-drilled Wall  
Channel holes

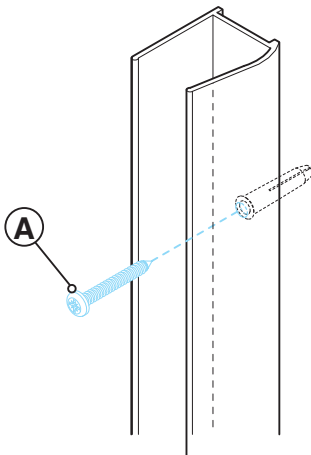


### 3.2

6mm dia. holes with  
drill bit suitable for  
wall surface



### 3.3



Tip:  
When drilling tiles apply masking  
tape to surface to stop drill bit  
slipping.

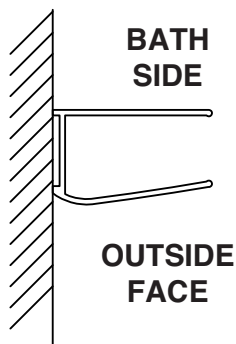
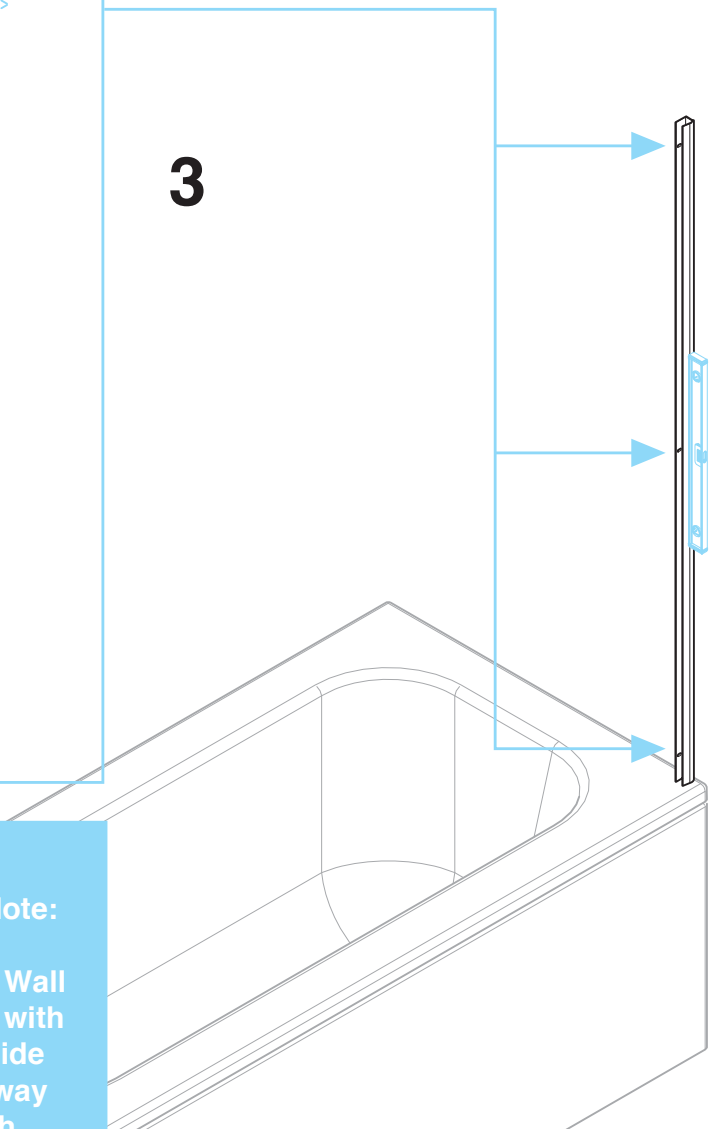


Wall plugs supplied are for solid  
walls only. Ensure correct wall plug  
for wall type is used. If in doubt seek  
professional advice.



Position wall channel on wall.  
Ensure channel is vertically level  
and does not overhang the bath.

### 3

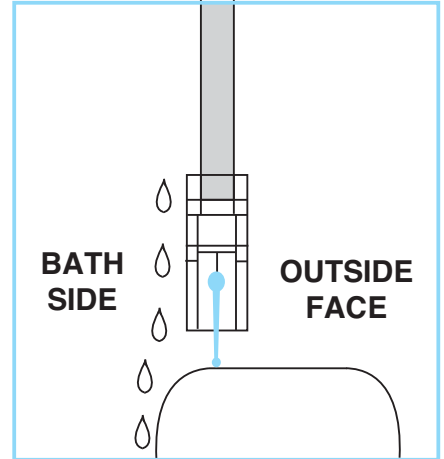
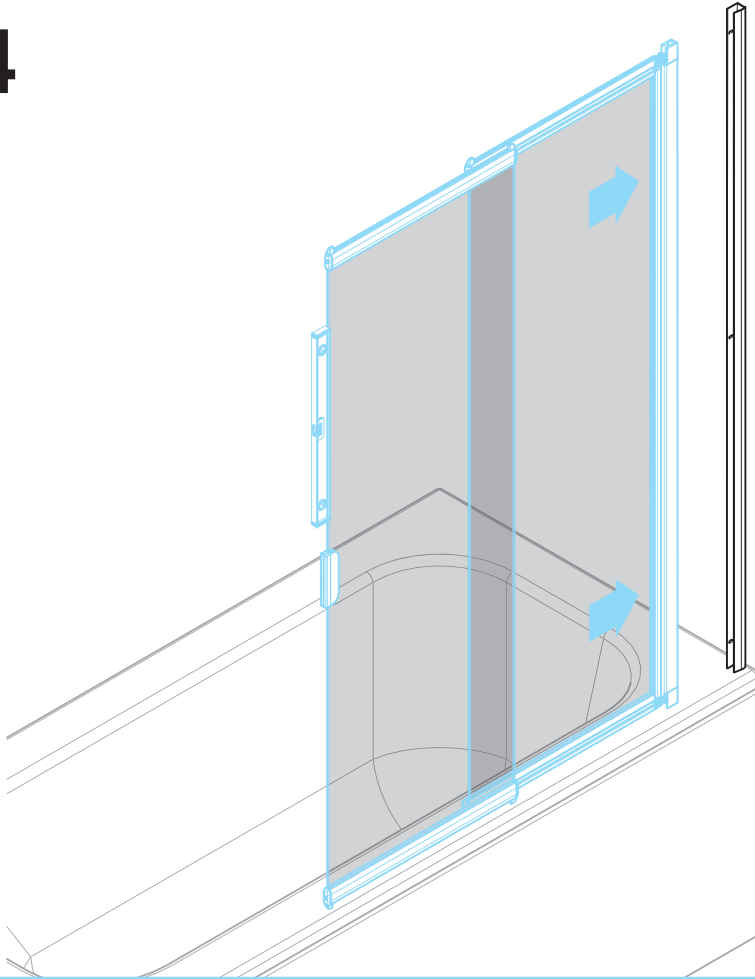


Please Note:

Position Wall  
Channel with  
curved side  
facing away  
from bath.



4



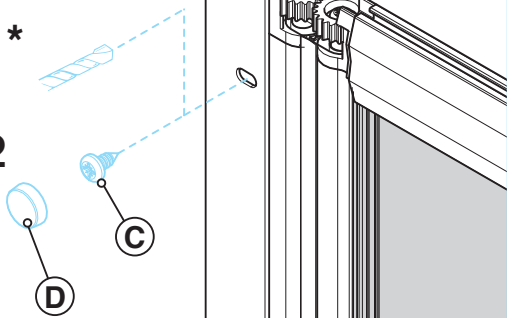
Please Note:  
Ensure Horizontal Seal  
sits on top of bath.

Inside View

\* 3mm dia. holes through  
pre-drilled wall channel holes  
using HSS drill bit

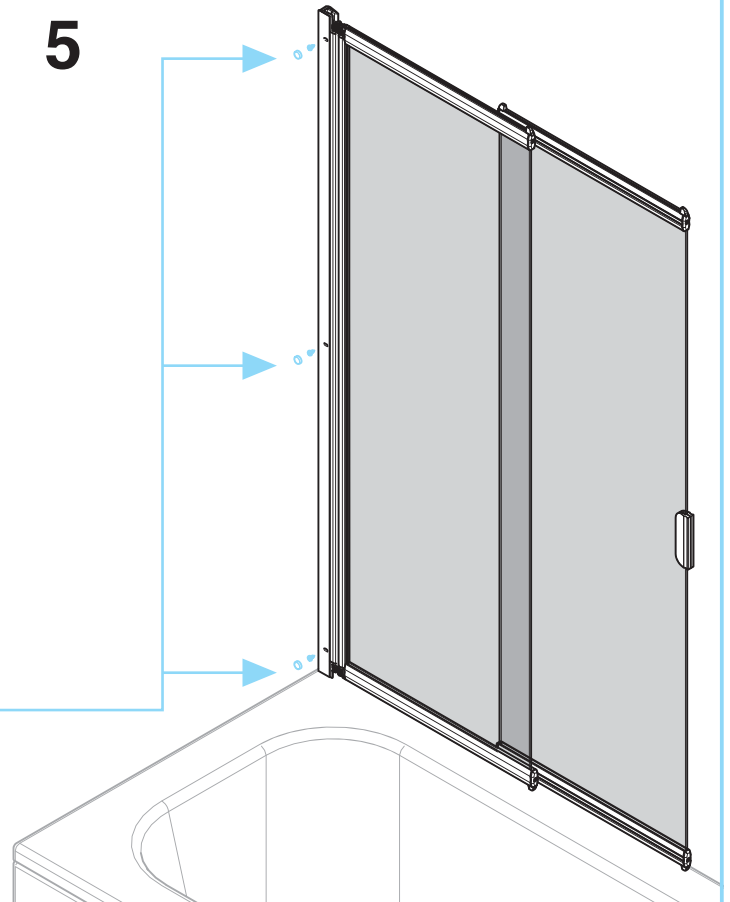
5.1\*

5.2

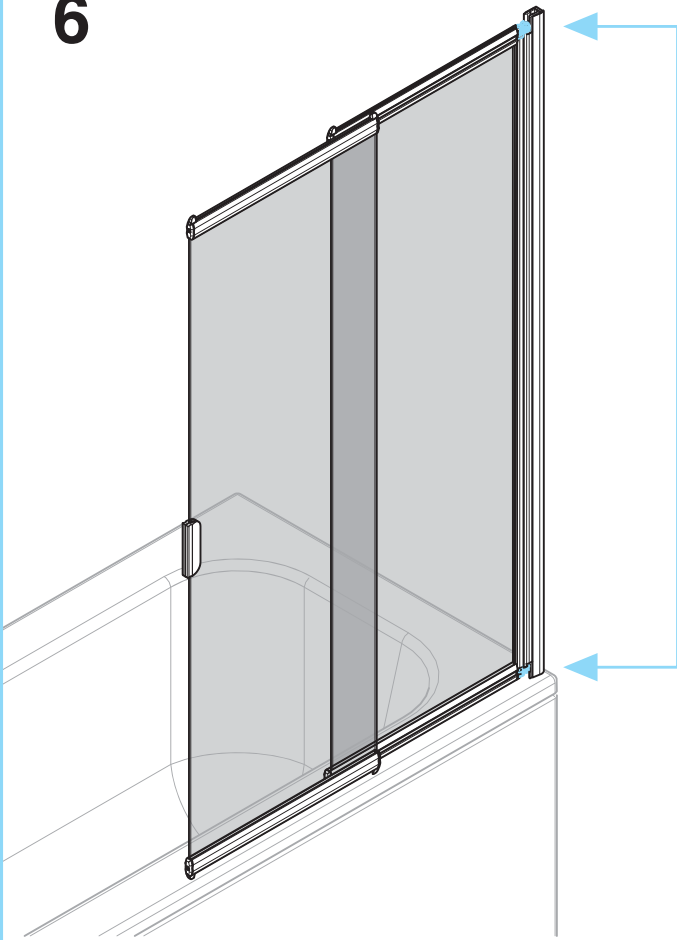


5

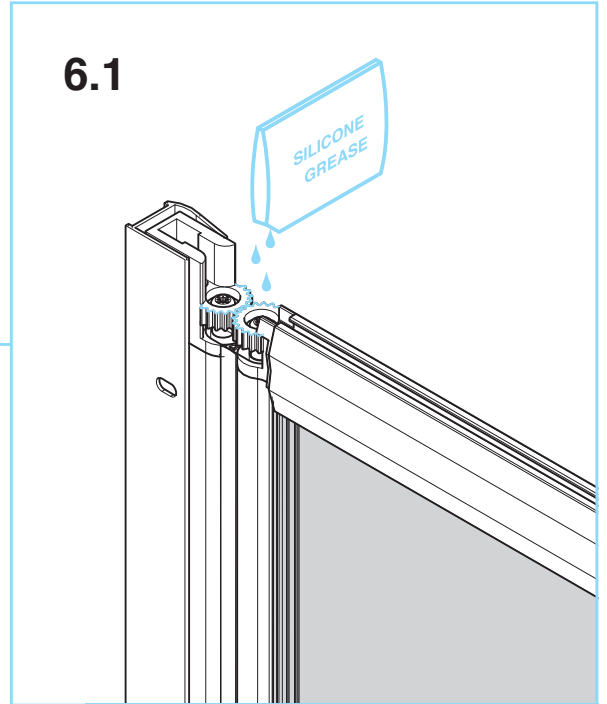
Inside View



6

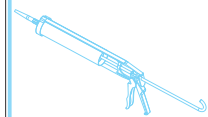


6.1



Apply a small amount of Silicone Grease from satchet (supplied) to the hinge mouldings.

7



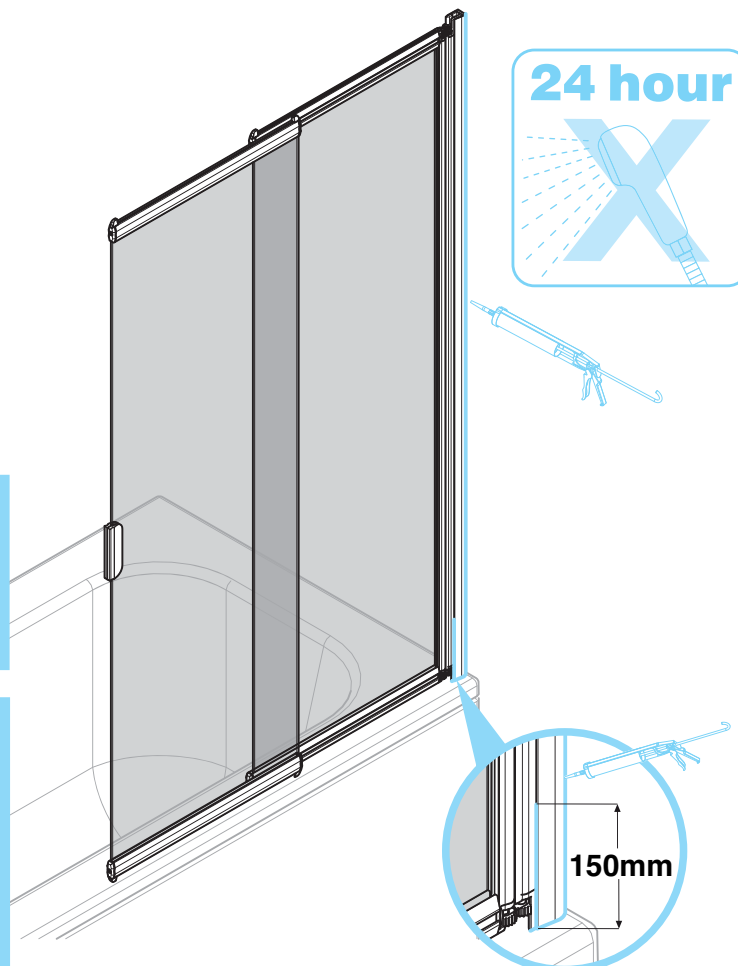
Apply Silicone Sealant, (not supplied).



Only apply sealant to the outside of the Bath Screen. DO NOT use silicone sealant on inside of the Bath Screen.



Product Care:  
Use a non abrasive cleaner. Water marks may be removed with a proprietary limescale remover or household vinegar.



Notes:

Notes:

## **Check out our full range of Shower Enclosures**

Quadrant Shower Enclosures

Corner Entry Shower Enclosures

Walk in Shower Enclosures

Sliding Shower Doors

Bifold Shower Doors

Pivot Shower Doors

Hinged Shower Doors

Shower Screens

## **From Top Brands**

Coram Shower Enclosures

Mira Shower Enclosures

Hydrolux Shower Enclosures

Diamond Shower Enclosures

## **With quality shower trays to match your enclosure**

Square Shower Trays

Rectangular Shower Trays

Quadrant Shower Trays

Coram Shower Trays

Mira Flight Shower Trays

**plumbworld**  
**Big brands, small prices.**