

# SK INXRD1 SU

## INOX Sink Range Bristan Inox Easyfit Sink 1.0 Bowl Stainless Steel Universal



### Specification

Main Construction Material:	Stainless Steel
Number of Tap Holes:	1
Product Finish:	Stainless Steel
Sink Type:	1 Bowl
Connection Inlet:	1/2" BSP Flexible Tails
Connection Outlet:	G1 1/2"
Product Orientation:	Universal
Drainage Flow Rate (litres per minute)	39.2

### Features:

- Easy installation: pre-fitted with Easyfit tap base, flexible inlet pipes and isolators
- Everything you need: strainer waste, overflow, pipework and fixings included
- Made to last: 0.6mm gauge, 304 grade 18/8 stainless steel for stain, corrosion and rust resistance
- Includes cutting-hole template
- 25 year guarantee (Easyfit base 5 years)

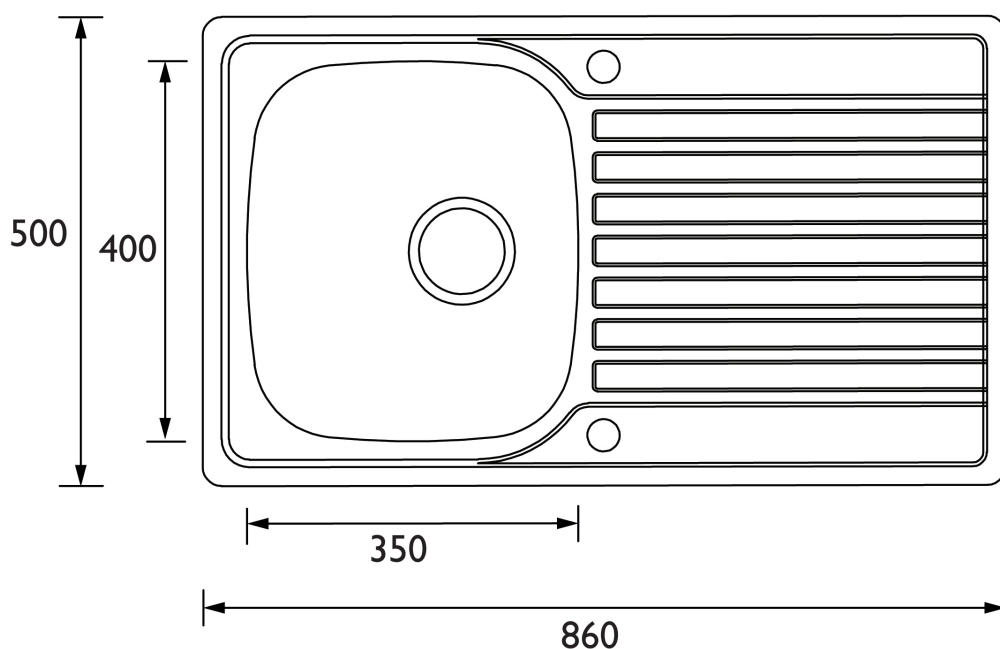
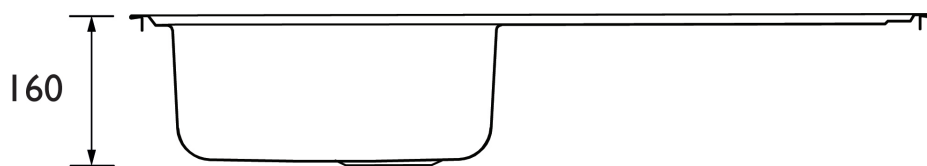
### Product Certifications:



For more products, visit our website:  
<http://www.bristan.com>



### Dimensions (measurements in mm)



Minimum Cabinet Width: 500mm

**TECHNICAL  
DATA  
SHEET**



Kitchen Sinks



Tap



Waste Kit

**BRISTAN**  
TAPS & SHOWERS D2

## **Check out our full range of Kitchen Products**

### **Kitchen Sinks**

Stainless Steel Kitchen Sinks

Granite Composite Kitchen Sinks

Glass Kitchen Sinks

Ceramic Kitchen Sinks

Franke Kitchen Sinks

### **Kitchen Taps**

Contemporary Kitchen Taps

Traditional Kitchen Taps

Franke Kitchen Taps

Pull out Rinser Kitchen Taps

Instant Boiling Water Taps

### **Insinkerator Waste Disposal Units**

**plumbworld**  
**Big brands, small prices.**