

BRISTAN

Quadrato Tap Range

Installation Instructions & User Guide




Please keep these instructions for future reference and request of replacement parts

Contents

Thank you for choosing Bristan, the UK's leading taps and showers expert. We have designed this product with your enjoyment in mind. To ensure that it works to its full potential, it needs to be fitted correctly. These fitting instructions have been created to give you all of the information you need and, if you need any further help, please do not hesitate to give us a call on 0844 701 6273.

Important Safety Information	03
General Specifications	03
Installation Requirements	04-07
Installation	07-12
Basin & Bath Taps	07
Small Basin Mixer	08
Eco Basin Mixer	09
Eco Basin Mixer (Without Waste)	09
Tall Basin Mixer	10
Bidet Mixer	11
Bath Filler	12
Bath Shower Mixer	12
Maintenance	13
Troubleshooting	14
Guarantee	15

Important Safety Information

- Please read these instructions thoroughly and retain for future use.
- All products manufactured and supplied by Britsan are safe provided they are installed, used correctly and receive regular maintenance in accordance with these instructions
- **If you are in any doubt about your ability to install this product safely you must employ the services of an experienced qualified plumber.**
- Remove all packaging and check the components for damage before starting installation.
-  Before starting any installation please consider the following: Prior to drilling into walls, check that there are no hidden electrical wires, cables or water supply pipes. This can be checked with the aid of an electronic detector.
- If power tools are used do not forget to:
 - Wear eye protection
 - Unplug equipment after use
- This product **must** not be modified in any way as this will invalidate the guarantee.
- These fittings need to be installed in accordance with and meet the requirements of the Water Supply (Water Fittings) Regulations 1999 and Scottish Byelaws 2004.

General Specifications

Operating pressure range (bar)	Min	Max
Basin & Bath Taps	0.2	8.0
Small Basin Mixer	0.5	8.0
Eco Basin Mixer	0.5	8.0
Tall Basin Mixer	0.4	8.0
Bidet Mixer	0.5	8.0
Bath Filler	0.3	8.0
Bath Shower Mixer	0.5	8.0

Maximum static pressure – 10.0 bar

NOTE:- Nominally equal (balanced) inlet supply pressures are recommended for optimum performance.

Designed to comply with BS EN 200 for single taps/ combination taps for water systems of type 1 and 2 general technical specifications and to be used within systems designed to BS 6700.

BS 6700 recommends the temperature of stored water should never exceed 65°C. A stored water temperature of 60°C is considered sufficient to meet all nominal requirements and will minimise the build up of lime scale in hard water areas.

Installation Requirements

IMPORTANT - PLEASE READ

This/these fitting/fittings needs/need to be installed in accordance with the following Installation Requirements and Notes (IRN) to ensure they meet the requirements of the Water Supply (Water Fittings) Regulations 1999 and the Scottish Byelaws 2004.

IRN R001 - QD ½ C, QD ¾ C, QD SMBAS C, QD EBAS C, QD EBASNW C, QD TBAS C, QD BF C, QD BSM C

See text of entry for Installation Requirements or Notes.

IRN R005 - QD BF C, QD BSM C

This tap or combination tap assembly has a Type AUK2 air gap and is therefore only suitable for installation in domestic premises or in other premises to protect against a backflow risk up to a Fluid Category 3, unless additional backflow protection for the higher risk is included in the installation.

IRN R006 - QD ½ C, QD ¾ C, QD SMBAS C, QD EBAS C, QD EBASNW C, QD TBAS C

This tap or combination tap assembly has a Type AUK3 air gap and is therefore for installation in any premises to protect against a backflow risk up to a Fluid Category 5.

IRN R010 – QD SMBAS C, QD EBAS C, QD EBASNW C, QD TBAS C, QD BF C
Schedule 2-15 (1)

Water supplies shall be a reasonably balanced pressures from a common source (e.g. hot and cold supplies both from the same storage or both from a supply pipe). Where the fitting is supplied from unbalanced supplies (e.g. hot and cold supplies from separate sources) a **'Listed' single check valve** or some other no less effective backflow prevention device shall be fitted immediately upstream of both hot and cold water inlets.

IRN R030 - QD BSM C - Schedule 2-15 (1)

Multiple inlet fittings installed in domestic premises or in other premises to protect against a backflow risk up to a Fluid Category 3, incorporating a self cancelling diverter acceptable as a backflow prevention device (HC) and having an AUK2 or AUK3 air gap, shall be installed in accordance with IRN R010.

Multiple inlet fittings installed in premises other than domestic to protect against a backflow risk up to a Fluid Category 5, incorporating a self cancelling diverter acceptable as a backflow prevention device (HC only) and having an AUK2 or AUK3 air gap, shall be installed in accordance with IRN R010. Alternatively the fitting shall be supplied in accordance with IRN R040 unless the shower head is constrained above the spill-over lever of the bath, wash basin or shower tray.

IRN R070 – QD BID C

The water supply (Water Fittings) Regulations 1999 and the Water Bylaws 2000, Scotland preclude the connection of rim feed ascending spray type bidets with hand – held spray attachments directly to any supply pipe.

Continued overleaf.

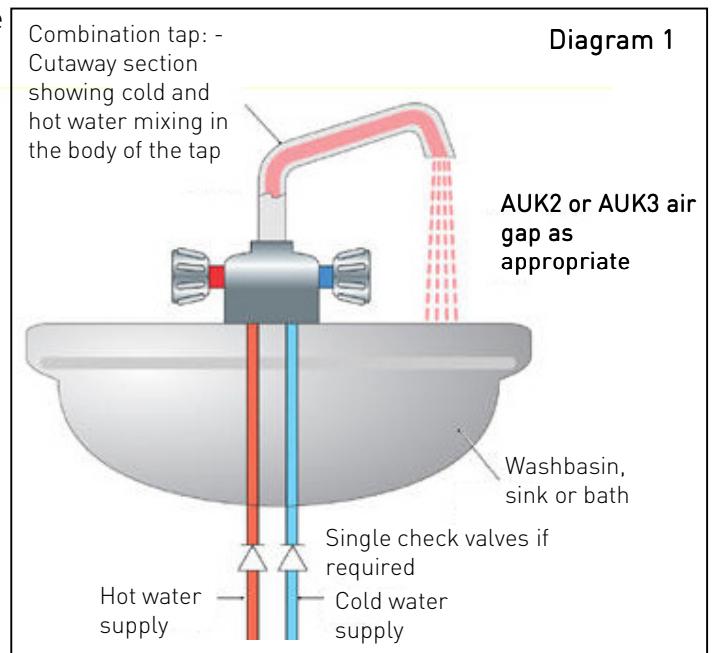
BIDETS WITH OVER-RIM SUPPLY ARRANGEMENTS

(a) Bidets installed in domestic locations of the over – rim type, that have no ascending spray and/or flexible hose may be supplied with cold and hot water through single or combination tap assemblies from either a supply pipe or distributing pipe providing that a Type AUK2 air gap is provided between the outlet of the water fitting and the spillover level of the bidet and shall also comply with (c) below.

(a) Bidets installed in premises other than domestic locations of the over – rim type, that have no ascending spray and / or flexible hose where a higher fluid category of risk may be present, may be supplied

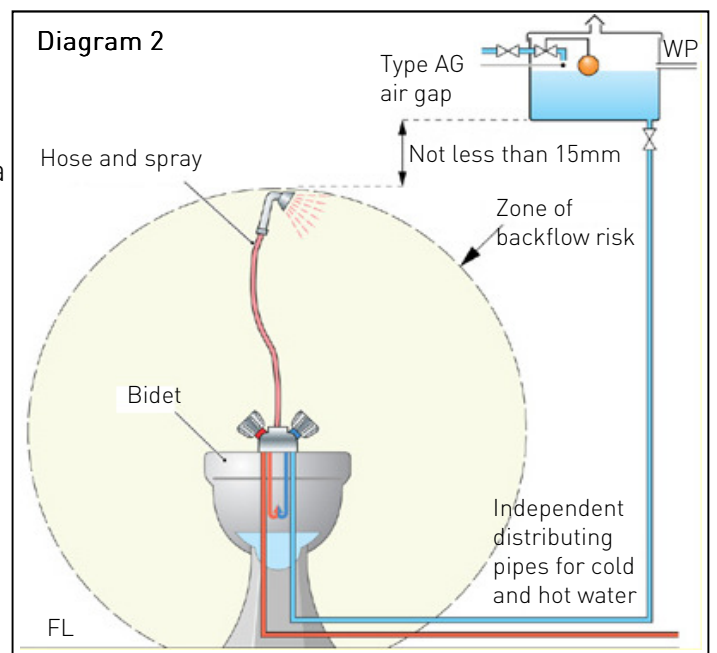
with cold and hot water through single or combination tap assemblies from either a supply pipe or a distributing pipe providing that a Type AUK3 air gap is provided between the outlet of the water fitting and the spillover level of the bidet as (a) above and shall also comply with (c) below.

(c) In case of a bidet equipped with a single outlet (single flow) mixing tap, shall also be installed in accordance with IRN R010. See Diagram 1 below



BIDETS (INCLUDING WCS ADAPTED AS BIDETS) WITH SUBMERGED WATER INLETS AND / OR FLEXIBLE HOSE WITH SPRAY OR JET HANDSET FITTINGS

Bidets, including WCs adapted as bidets, incorporating an ascending spray inlet or utilising a flexible hose or an arrangement with a spray or jet, are a fluid category 5 risk in that the ascending spray inlet could be contaminated with urine or other matter and the spray or jet handset could be deposited in the bidet or WC. Bidets of this type must not be supplied with water from a cold or hot water supply pipe or a common distributing pipe. The zone of backflow risk is shown and the highest part of this zone must be not less than 15mm below any cistern serving the bidet. See Diagram 2 below.



Bidets of this type may:

- a. Be supplied with cold and / or hot water through type AA, AB, AD or AUK1 backflow prevention arrangement or type DC device serving the bidet only. See Diagram 3: or

Type AA, AB, AD or AUK1 air gap with or without blended water cistern or type DC backflow Prevention device.

- b. Be supplied with cold water from an independent distributing pipe serving the bidet only, or a common distributing pipe serving the bidet and which may also serve a WC or urinal flushing cistern at a lower level. See Diagram 4; or

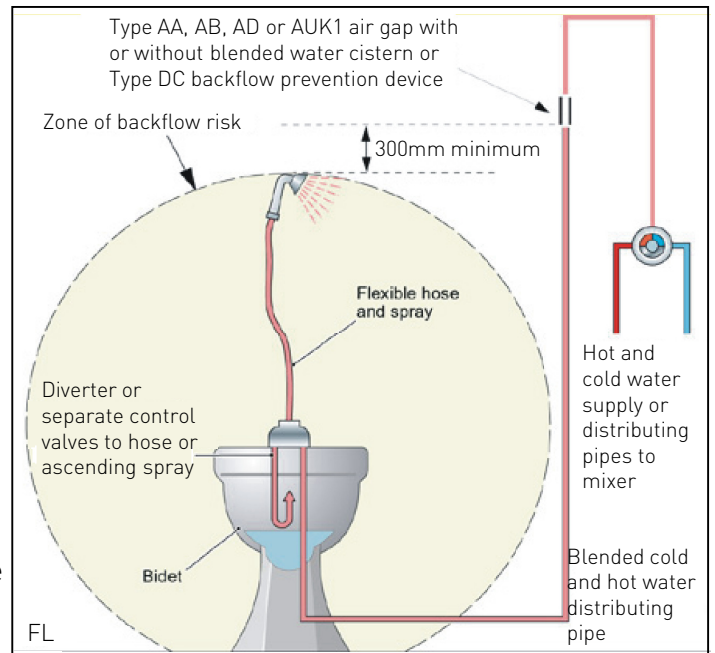


Diagram 3

- c. Be supplied with hot water from a water heater, which is supplied from an independent distributing pipe, that serves the bidet only. See Diagram 4: or

- d. Where the bidet is at a lower elevation than any other outlets or appliances, be supplied with water from a common cold and / or hot water vented distribution pipe providing that;

- (i) the elevation of the spillover level of the bidet, if there is no flexible hose; or
- (ii) the elevation of the spray outlet, with the hose extended vertically above the spillover level of the bidet

Whichever is the highest, is not less than 300mm below the point of connection with the distributing pipe which serves over appliances or outlets. See Diagram 5.

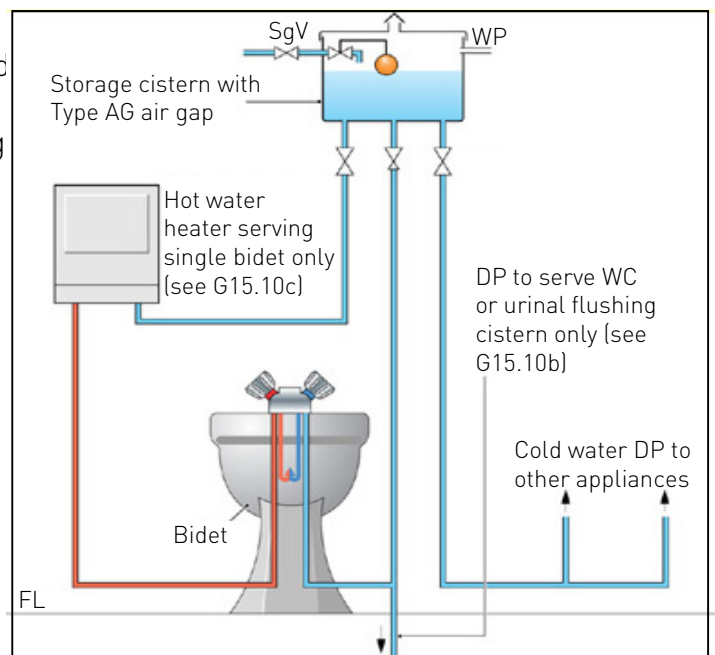
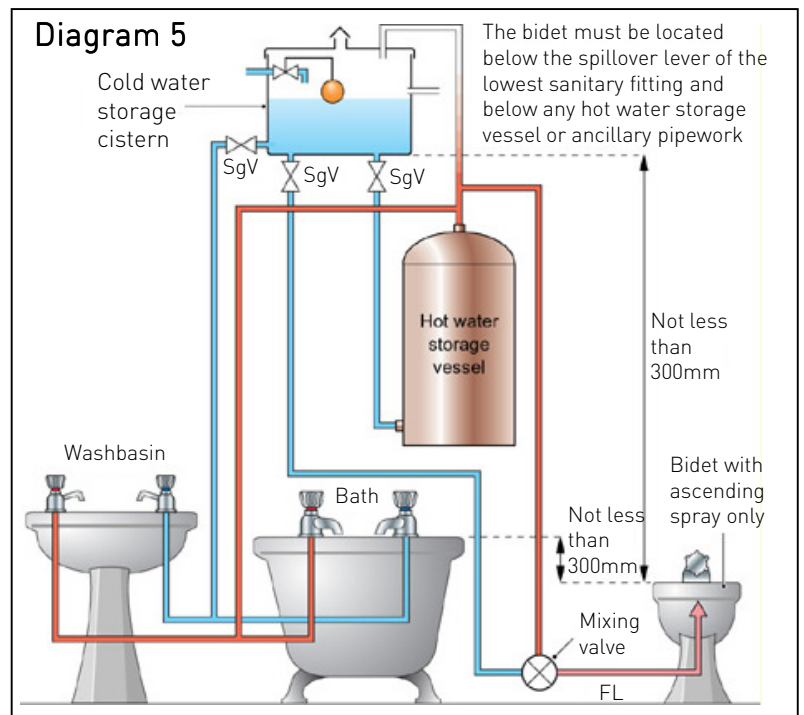


Diagram 4

The method of supplying water to an ascending spray and / or hose and spray bidet is illustrated in Diagram 3 and which is described in the formal guidance, is difficult to achieve in practice. The air gap should be located above the fully extended hose and spray, or zone of backflow risk, and this height may need to be increased to provide sufficient water pressure, to overcome friction loss in the pipes and fittings, in order to operate the ascending spray and hose spray effectively. This method of supplying blended water to a bidet involves complicated control methods as the control of water to the bidet itself has to be linked with the control of water flow, and temperature, upstream of the air gap, blended water cistern or DC device.

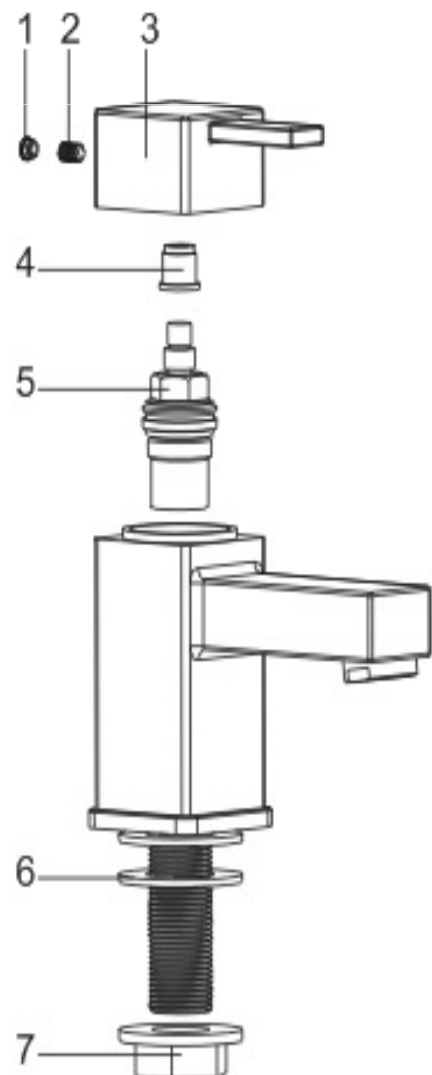


Installation - Basin / Bath taps

1. Identify all components are present prior to starting installation.
2. Install the taps to the basin / bath, ensuring the plinth is fitted between the tap body and the basin / bath. Slide the washer (6) onto the threaded tail of the tap and screw the backnut (7) onto the tail until tight to secure the taps in place.

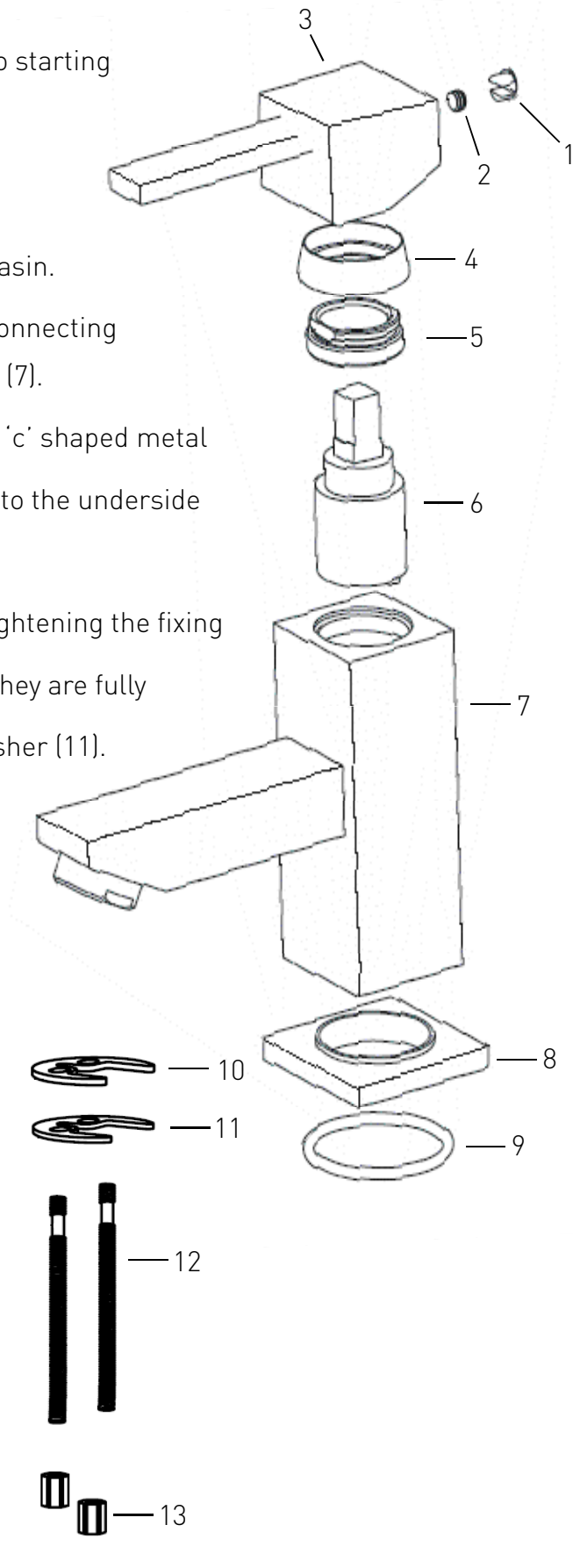
Note: Supplied with plastic backnuts which must be tightened fully using a suitable spanner.

3. Connect the hot and cold water supplies to the threaded tails.
4. Turn on the water supplies. Operate both taps, letting the water flow for a few minutes to check all joints and connections for any leaks.



Installation – Small Basin Mixer

1. Identify all components are present prior to starting installation.
2. Install the mixer body (7) to the basin, ensuring plinth (8) and washer (9) and fitted between the mixer body (7) and the basin.
3. Screw the threaded rods (12) and flexible connecting pipes(14) into the bottom of the mixer body (7).
4. Slide the 'C' shape rubber washer (10) and 'c' shaped metal washer (11) onto the threaded rods (12) up to the underside of the basin.
5. Secure the mixer body (7) to the basin by tightening the fixing nuts (13) onto the threaded rods (12) until they are fully tightened against the 'C' shaped metal washer (11).
6. Turn on both water supplies and operate the lever handle (3)up and side to side, letting the water flow for a few minutes to check all joints and connections for any leaks.



Installation - Eco Basin Mixer & Eco Basin Mixer (No Waste)

1. Identify all components are present prior to starting installation.
2. Fit the mixer body to the basin/bidet using the 'C' plate fixing kit. The full rubber washer (8) goes between the fitting and the basin and the 'C' shaped rubber (9) and metal washers (10) on the underside of the basin to be secured by the nuts (12) and threaded rods (11).

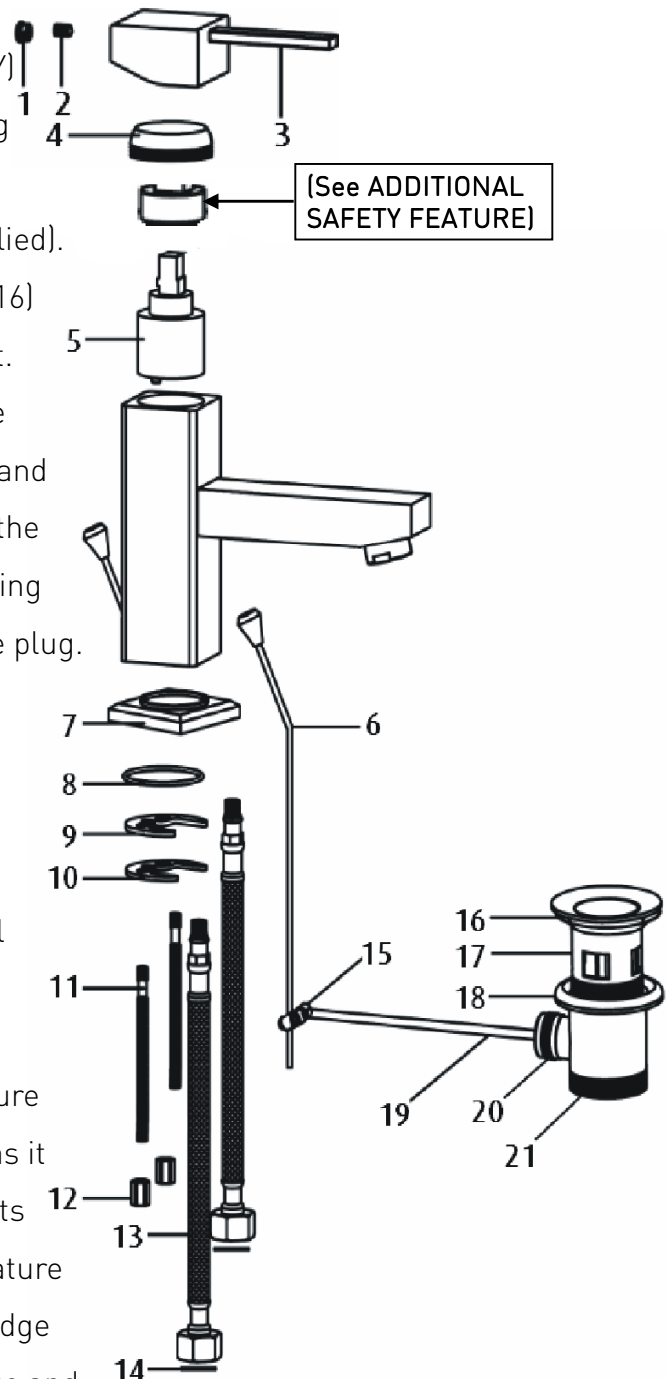
3. Fit the flexible tail pipes (13) by (HAND ONLY) (DO NOT OVERTIGHTEN) inside of the fitting and connect the hot and cold supplies using washers (14) and suitable fittings (Not Supplied).

4. Fit the pop up waste (if applicable) washer (16) above and washer (18) below the basin/bidet. It is recommended that a silicone sealant be applied to both sealing faces of washers 16 and 18. The plug height can be set by, adjusting the waste rod (6) and operating rod (19) connecting bracket(15), and the screw in the base of the plug. Friction for the waste mechanism can be adjusted using the waste cap (20) (DO NOT OVER-TIGHTEN).

5. Fully open the mixer in the mid position, letting it run for a few minutes and check all joints and connections for leaks.



An innovative water saving feature that offers a subtle resistance as it reaches, approximately half of its full flow capability. For increased flow this feature can be overridden. At full flow the click cartridge uses 32% less water than a standard cartridge and when in eco click mode the reduction increases to 72%.

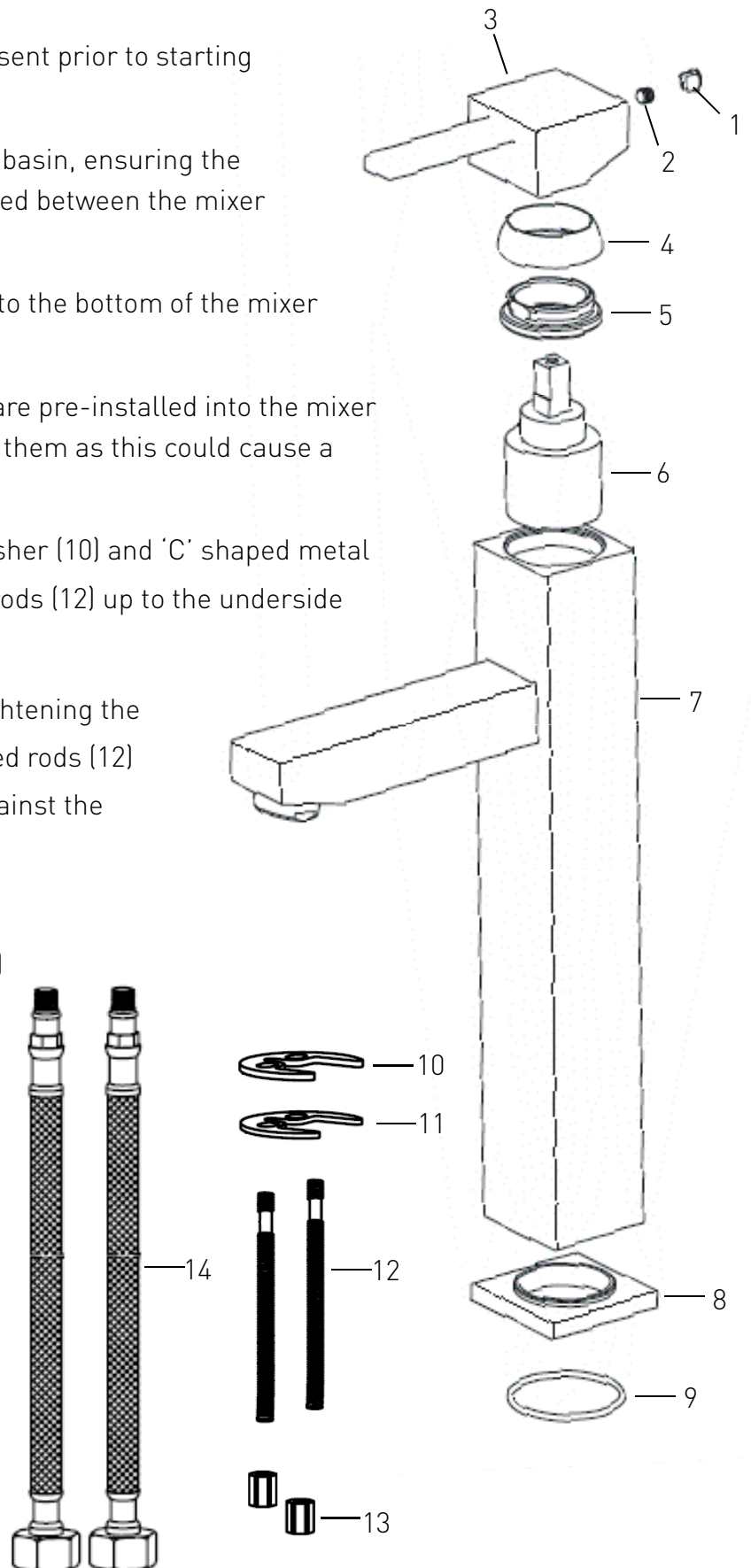


Installation – Tall Basin Mixer

1. Identify all components are present prior to starting installation.
2. Install the mixer body (7) to the basin, ensuring the plinth (8) and washer (9) are fitted between the mixer body (7) and the basin.
3. Screw the threaded rods (12) into the bottom of the mixer body (7).

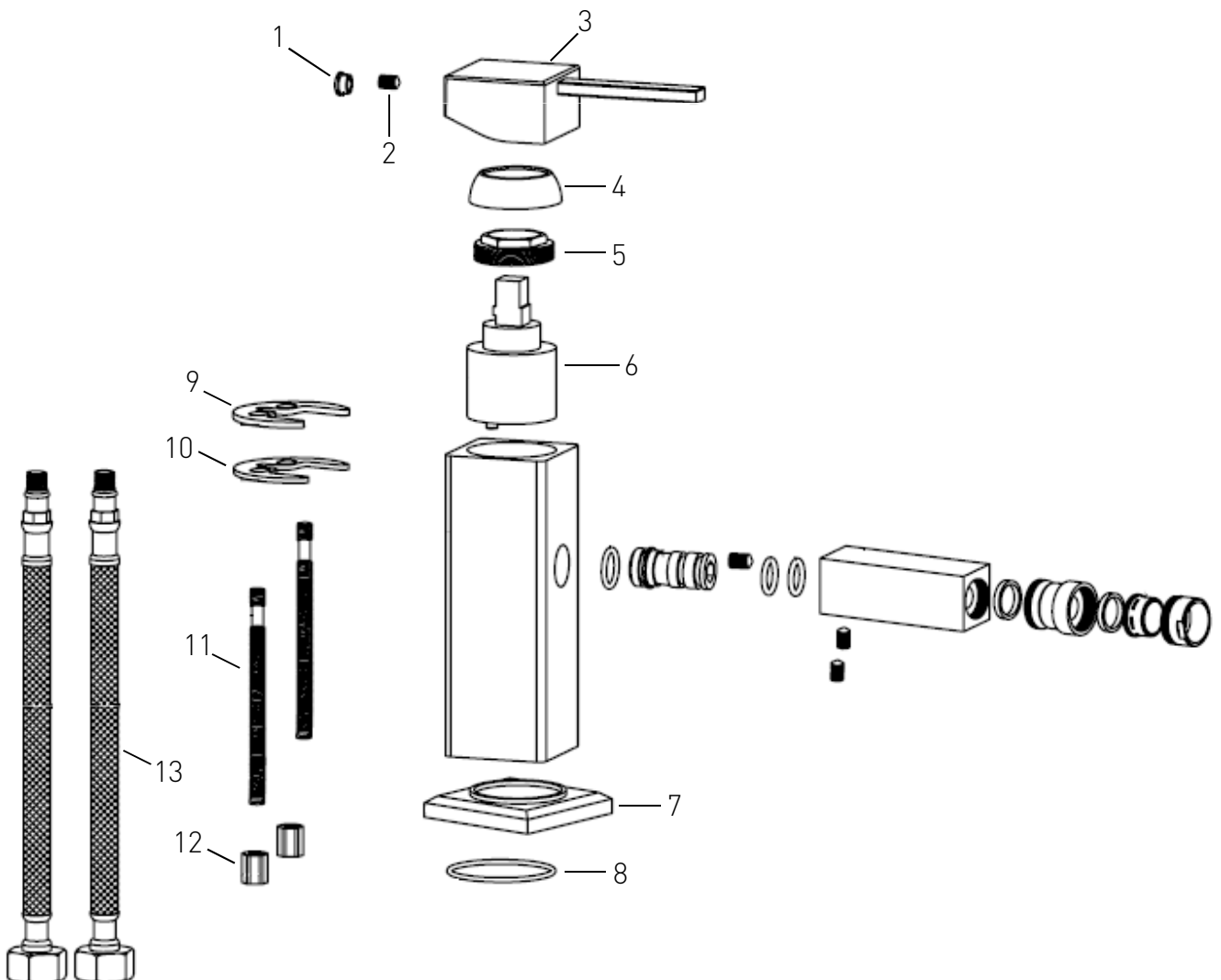
Note: The copper connecting pipes are pre-installed into the mixer body (7). **DO NOT** attempt to remove them as this could cause a leak from the connection.

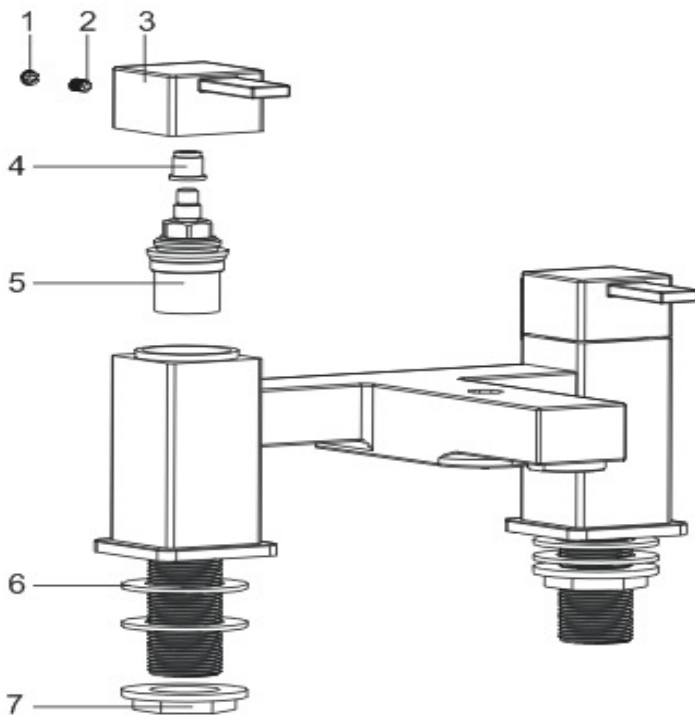
4. Slide the 'C' shaped rubber washer (10) and 'C' shaped metal washer (11) onto the threaded rods (12) up to the underside of the basin.
5. Secure the mixer body (7) by tightening the fixing nuts (13) onto the threaded rods (12) until they are fully tightened against the 'C' shaped metal washer (11).
6. Turn on both water sup[plies and operate the lever handle (3) up and side to side, letting the water flow for a few minutes to check all joints and connections for and leaks.



Installation - Bidet Mixer

1. Identify all components are present prior to starting installation.
2. Fit the mixer body to the bidet ensuring the plinth (7) and washer (8) are fitted between the mixer body and the bidet.
3. Screw the fixing rods (11) into the bottom of the mixer body.
4. Slide the 'C' shaped rubber washer (9) and 'C' shaped metal washer (10) onto the fixing studs (11) up to the underside of the bidet.
5. To secure the mixer in place tighten the fixing nuts (12) onto the threaded rods (11) until they are fully tightened against the 'C' shaped metal washer (10).
6. Screw in the flexible connecting pipes (13) and tighten by **hand only (DO NOT OVERTIGHTEN)**.
7. Connect the hot and cold water supplies to the flexible connecting pipes (13).
8. Turn on both water supplies, lift the mixer handle (3) upwards and operate in both directions, letting the water flow for a few minutes to check all joints and connections for any leaks.



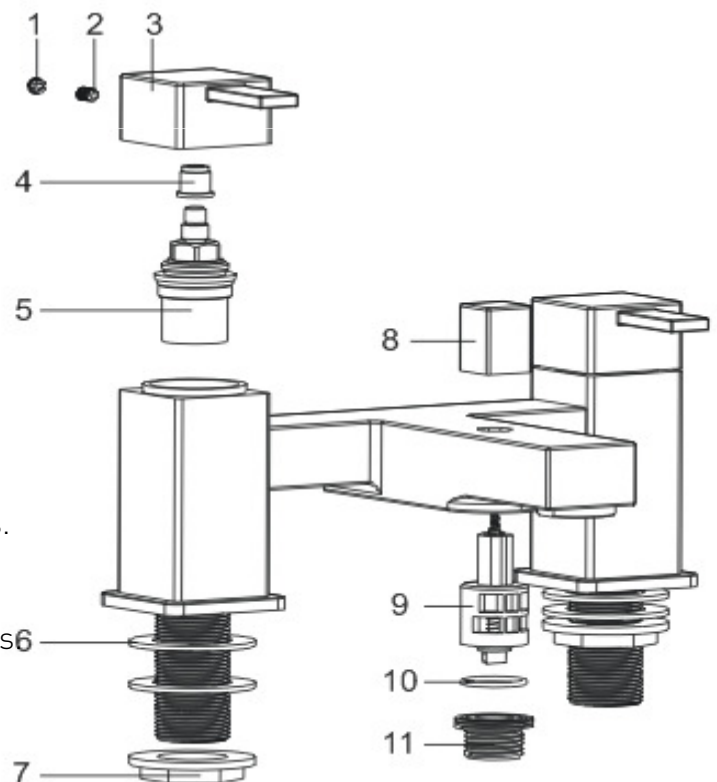


Installation - Bath Filler

1. Identify all components prior to installation
1. Install the fittings onto the bath using the provided washers (6), above and below the bath and back nuts (7), below the bath.
2. Connect the hot and cold water supplies.
3. Fully open both valves, letting the water to flow for a few minutes and check all joints and connections for leaks.

Installation - Bath Shower Mixer

1. Identify all components prior to installation
2. Install the fittings onto the bath using the provided washers (6), above and below the bath and back nuts (7), below the bath.
3. Connect the hot and cold water supplies.
4. Fit the hose to the mixer (11) and the handset using the small sealing washers (6).
5. To fit wall bracket, position, mark out and drill holes to suit, then screw wall bracket to the wall, ensuring that the handset will reach it.
6. Fully open both valves, letting the water to flow for a few minutes and check all joints and connections for leaks.
7. Operate the mixer in both bath and shower mode. To switch from bath to shower mode pull the diverter knob (8) up. After use the mixer automatically reverts to the bath filling mode.



Maintenance

General Cleaning

Your fitting has a high quality finish and should be treated with care to preserve the visible surfaces. All finishes will wear if not cleaned correctly. The only safe way to clean your product is to wipe with a soft damp cloth. Stains can be removed using washing up liquid. All bathroom cleaning products (powders and liquids) will damage the surface of your fitting, even the non-scratch cleaners.

Note: Never use abrasive detergents or disinfectants or those containing alcohol, hydrochloric acid or phosphoric acid.



Bristan recommend E-cloth for cleaning all of our bathroom & kitchen products. Using just water, E-cloth gives a smear

free, deep clean by breaking up and holding dirt, which normal cloths leave behind. Order through your Bristan stockist (order code: E-CLOTH).

Cleaning the Showerhead – QD BSM C

Your Bristan showerhead has rub-clean nozzles for easy cleaning. Simply rub your fingers across the rubber spray jets regularly and before you turn the shower on to remove any scale or debris.

The hardness of the water in your area will determine how often you should clean your showerhead. Build up of scale in particularly hard water areas combined with constant use means you may need to clean your showerhead once a week. To ensure continued performance the showerhead needs to be regularly descaled.

See map of Hard Water Regions in the UK overleaf to see the water type in your area.

Maintenance

We advise that your fitting is regularly serviced in hard water areas to maintain optimum performance (see map of Hard Water Regions in the UK overleaf).

If your fitting begins to leak the following should be carried out;

Isolate both hot and cold water supplies to the kitchen mixer by either:

- Turning the water supply off at the mains stopcock or
- Turning off the isolation valves to the kitchen mixer.

1. Prise the cap off from the handle and loosen the grub screw.
2. Pull the handle from the spline of the valve / cartridge.
3. Remove the valve from the body by unscrewing it with a suitable spanner.

If cartridge unscrew shroud, remove cartridge retaining nut using a suitable spanner and pull cartridge from the body.
3. Clean the valve / cartridge and seating, if necessary replace the valve / cartridge.
4. Replace the valve and tighten fully using a suitable spanner.

The cartridge has locating pins on the bottom which align with locating holes in the body. Tighten the cartridge retaining nut and screw the shroud back on.

6. Replace the handle, tighten the grub screw and push the cap back on.

Troubleshooting

Symptom	Cause	Remedy
No flow or poor flow rate.	Partially closed stop or service valve in water supply pipework to the tap.	Open stop or service valve.
	Head of water is below the minimum distance required.	Refer to the Specification section for minimum pressures required.
	Possible airlock / blockage in supply pipework	Remove water supplies from the fitting and flush the system to remove any airlocks / debris.
	Cartridge / Valve not opening fully.	Service fitting. Refer to maintenance section on page 13.
Water dripping for a few seconds after the tap has been turned off.	This is caused by 'capillary action' and residual water in the spout being siphoned out. This should only last for a couple of seconds.	If the fitting is fitted with an aerator this can be replaced with a more restrictive type to reduce the amount of water that drips out.
Constant dripping / leaking when the tap is not in use.	Cartridge / Valve not fully shutting off.	Service fitting and replace cartridge / valve. Refer to maintenance section on page 13.
Fitting does not turn on.	Water supplies not turned on.	Check that the water supplies to the fitting are turned on.
	Closed stop or service valve.	Open stop or service valve.
Water does not come out of the showerhead when using the bath shower mixer.	Diverter mechanism not fully open.	Open the diverter mechanism fully by pulling the diverter knob up.
	Insufficient water pressure / header height.	Refer to the specification section for minimum pressures required.
Water from the bath shower mixer showerhead is not hot.	Hot valve not fully open.	Open the valve by turning the handle.
	Possible blockage in shower hose or handset restricting water supply.	Check shower hose and handset for any blockages.
	Insufficient header height / water pressure.	Refer to the specification section for minimum pressures required.



Guarantee

Bristan Guarantee

Bristan offers solid guarantees to provide you with complete peace of mind.

Taps and Mixers

5 year parts and 1 year labour*. Gold, painted and special finishes 3 years parts only.

All subject to proof of purchase.

Mixer Shower Valves

5 year parts. 5 year labour* (subject to registration), or 1 year with proof of purchase.

Gold, painted and special finishes 3 years parts only.

Pumps and Power Showers

2 year parts. 1 year labour* (subject to registration).

Electric Showers/Instantaneous Water Heaters

2 year parts. 1 year labour* (subject to registration).

Accessories

5 year parts only. Includes bathrooms accessories, shower accessories (e.g. hoses, handsets and poles), wastes, WC levers and light pulls. Gold, painted and special finishes 3 years parts only.

Sanitaryware

5 year parts only. Subject to proof of purchase.

*Labour provided by an approved Bristan engineer. Guarantee only applies to products with a manufacturing fault. A deferred payment will be necessary in order to secure any visits by our engineers which will be charged if the problem is found **not** to be a manufacturing fault. If the fault is found to be down to a manufacturing error, the payment will be released and not charged.

This guarantee applies to products purchased within the United Kingdom or Republic of Ireland, but does not apply to products used commercially.

The guarantee is only available to original purchasers who have proof of purchase.

The installation must allow ready access to all products for the purpose of inspection, maintenance or replacement.

Any part found to be defective during the above guarantee period will be replaced without charge, providing that the product has been installed in accordance with the instructions, used as intended, and regularly serviced.

Servicing should be carried out at regular intervals of no more than 12 months and more frequently in hard water areas (heavy lime scale) areas.

In the unlikely event that any problems are encountered with the product's performance on installation, you must obtain guidance/authorisation from our Customer Service Department, and be able to supply proof and date of purchase, before any remedial action is taken.

The guarantee excludes general wear and tear and damage caused by accident, misuse or neglect, and does not cover the following:

- Components that are subject to general wear and tear such as filters, seals, 'O' rings and washers etc.
- Damage caused by faulty installation
- Damage caused by lime scale or any waterborne debris
- Damage caused by inappropriate cleaning products (see user instructions)
- Damage caused by the use of non-Bristan parts
- The product being used for a purpose other than intended by the manufacturer.

In the interests of continuous product improvement Bristan reserves the right to alter specification as necessary.

BRISTAN

This booklet covers product codes

QD ½ C, QD ¾ C, QD SMBAS C, QD EBAS C, QD EBASNW C

QD TBAS C, QD BID C, QD BF C, QD BSM C

Helpline

0844 701 6273

Bristan Group Limited

Birch Coppice Business Park, Dordon, Tamworth, Staffordshire B78 1SG

A Masco Company

Website: www.bristan.com

Telephone: 0844 7016 274 Facsimile: 0844 701 6275

Email: enquire@bristan.com

Check out our full range of Bathroom Taps

Contemporary Bathroom Taps

Traditional Bathroom Taps

Waterfall Bathroom Taps

Basin Taps

Bath Taps

Bidet Taps

Luxury Mira Aspects Taps

Mira Honesty

Mira Evolve

Mira Precision

Mira Comfort

Mira Revive

Mira Fluency

Don't forget these amazing tap cleaning and care products

Cramer Tap Cleaner

Cramer Chrom Star Chrome Polish

plumbworld
Big brands, small prices.