

IGNEOUS GRANITE SINKS

Installation Instructions & Aftercare Information



Instructions for:
Andesite and Scoria sinks

Due to our policy of continual improvement, we reserve the right to change specifications without prior notice.

U110645-01

INSTALLATION

Fig. 1.1

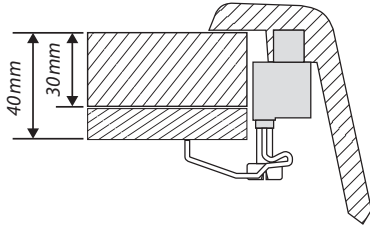


Fig. 1.2

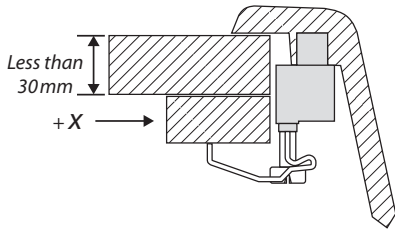


Fig. 1.3

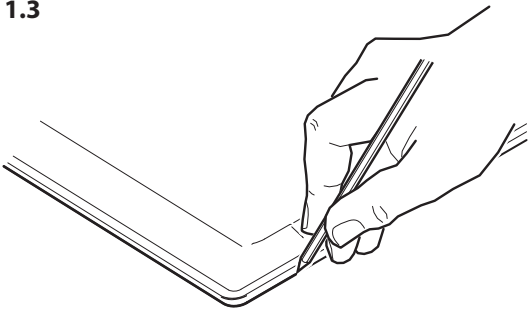


Fig. 1.4

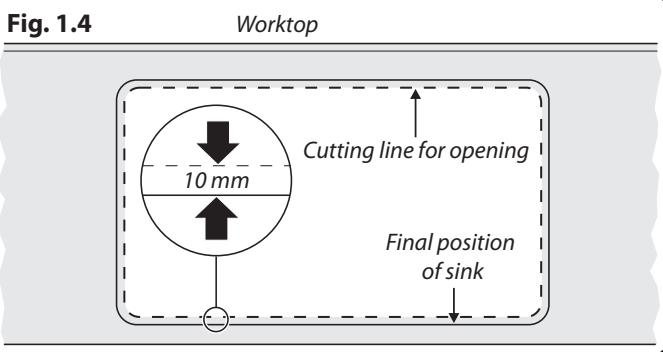
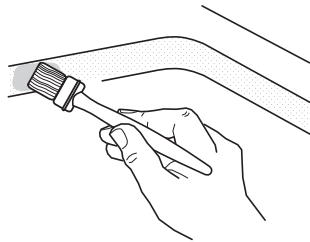


Fig. 1.5



Installer

Please leave this leaflet with the user, as it contains valuable after care advice.

Tools Required

Ruler/Tape Measure	Pencil
Masking Tape	Safety Glasses
Kitchen Silicone Sealant	Screwdriver
Hammer	35mm Hole Saw (for cutting tap hole)
Drill	Jigsaw & Suitable Blade (if work top cutout is required)

Notes

- ⚠ During installation, take care to protect the sink from scuffs and scratches.
- ⚠ Do not stand on the sink.
- ⚠ During installation, do not stand the sink on its edges or corners. This may cause damage.
- ⚠ Avoid straining and over tightening of all plumbing fixtures connected to the sink.
- ⚠ Carefully check that the moulding and edges of the sink are dead level so that water will flow off the drainer.
- ⚠ The clamping brackets are suitable for worktops of between 30–40 mm thickness (Fig. 1.1). If your worktop is a different size then it may require packing under the clamps or rebating (Fig. 1.2).

Preparing the Worktop

Marking Out the Opening

We recommend that you fit the sink to the worktop before permanently fixing the worktop to the cabinet.

1. Place the sink upside down on the worktop. Position the sink on the worktop as required. Make sure the cabinet framework will clear all parts of the sink. Using a soft, sharp pencil draw around the sink as accurately as possible (Fig. 1.3). Remove the sink.
2. Draw another line 10 mm inside the sink top outline – this is the cutting line for the opening (Fig. 1.4).
3. Drill as large a hole as possible inside the cutting line. Using a pad saw, jigsaw or similar, cut out the opening up to the cutting line.

Sealing the Edges of the Opening.

We recommend that porous edges around the cut-out are sealed using a waterproof sealant such as varnish, paint or wood glue. This will prevent swelling of the worktop should any small leaks occur (Fig. 1.5).

Preparing the Sink

Tap Hole Preparation

Drilling a pre-marked hole for taps

- ⚠ **Before drilling please read safety instructions supplied with hole saw.**
 - ⚠ **The front face must be fully supported to prevent cracking when drilling or cutting.**
 - ⚠ **WARNING!**
Any machining operation will produce fine particles of dust. Drilling or cutting MUST be carried out in a well-ventilated area.
1. Identify which pre marked tap hole(s) you will require.
 2. Using a hole saw, drill out the tap hole part way from the underside of the sink **Fig. 1.6**. Finish drilling the hole from the upper surface of the sink to ensure a clean hole.
 3. It may be necessary to cool the tip of the drill with water to prevent burning. For this reason we recommend the use of a rechargeable drill. Take special care if using a mains electric drill around water.
 4. Attach the tap, waste and overflow (where required) to the sink according to the manufacturer's Instructions.

Applying the Silicon Sealant

- ⚠ **DO NOT use Epoxi sealant or Epoxi adhesive.**

Apply a bead of "Silicone sealant"(not included) to the underside of the sink flange. For final fit, make sure each sink clip is pulled back as shown in **Fig. 1.7**. Position the sink into the work top opening.

Secure the sink by pivoting the sink clips into the position **Fig. 1.8** and tighten screws in the front, then tighten rear and side screws.

Waste Fittings

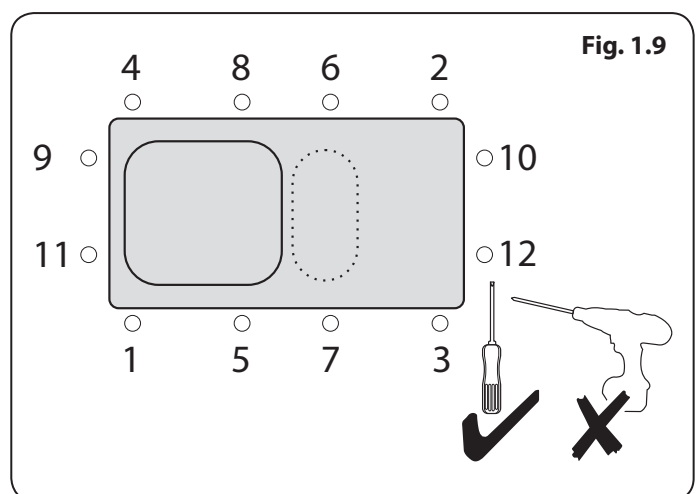
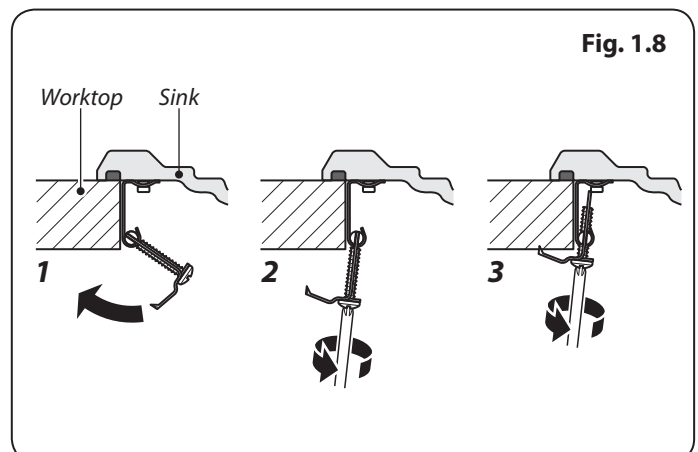
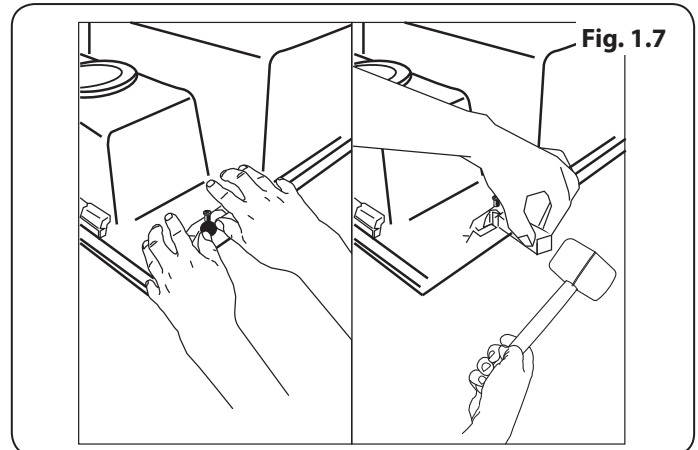
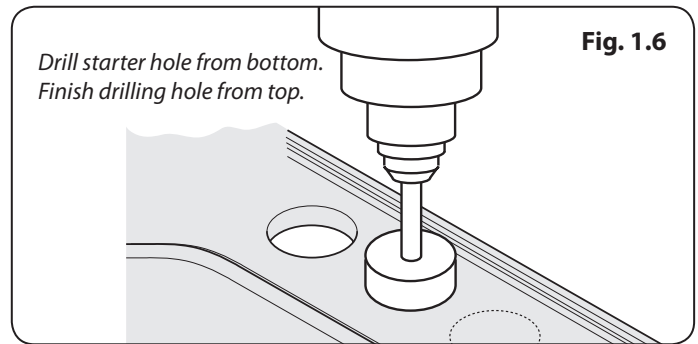
Fit the waste fittings to the sink using the instructions supplied with them. Apply a uniform bead of silicone onto the underside of the rim of the sink, 1/4 inch from the outer edges of the rim.

Fitting the Sink

1. Turn the sink upside down and lay the worktop over the sink. Swing each clip into place – this is the most effective method, although if the worktop has been fitted to the cabinet the sink can be placed in the opening and fixed in position from underneath.
 2. Centre the sink. Tighten the fixing screws in the sequence shown in **Fig. 1.9**.
- ⚠ **DO NOT TIGHTEN FULLY AT FIRST ATTEMPT.**
3. Remove any surplus sealing material or wipe away any excess sealant.

Check for Leaks:

- Supply user tubes to faucet
- Supply riser tubes to shut off valves or lower connections
- Fill sink with water and check for leak around drain
- Release water from sink and check for possible leaks
- Tighten a s needed



25 Year Guarantee

We guarantee to replace any igneous granite sink that breaks due to material or manufacturing defects within 25 years from the date of purchase.

The guarantee does not cover normal wear and tear occurring through use of the product.

For the guarantee to apply the owner must follow the use, care and cleaning instructions provided.

Accessories and waste fittings are not included in this guarantee.



RANGEmaster

Meadow Lane, Long Eaton,
Nottingham, NG10 2GD, England
Tel: +44 (0) 115 946 4000 Fax: +44 (0) 115 973 6602
E-mail: consumers@rangemaster.co.uk
www.rangemaster.co.uk

16

DOP Reference BEF024

Kitchen sink made of: Granite Composite
Preparation of food, washing of dishes and
discharge of domestic waste water

EN 13310 : 2015

CA - DA

After Care

Day-to-day care

Although your sink is made from extremely durable materials and will withstand a great deal of hard use, it can be scratched by hard or sharp objects. If the surfaces are to be kept in a blemish free condition reasonable care should be taken when handling such items.

⚠ DO NOT USE THE DRAINER AS A CHOPPING BOARD.

Cleaning

Wash your sink using warm water, a soft cloth or non-abrasive woven nylon pad and a non-abrasive liquid cleaner or detergent. This can be done as often as the sink is used.

Metallic Abrasions or Heavy Stains:

Wipe the sink using a soft cloth or non-abrasive woven nylon pad and a liquid scouring product. Apply the liquid scouring product sparingly and rub lightly. Repeat as necessary until sink is clean.

Hard Water, Calcium and Lime Deposits:

Wipe with a non-abrasive woven nylon pad and white vinegar. Rinse after 20 minutes.

Please refer to www.rangemaster.co.uk for a full guide to cleaning your sink.

⚠ Do not use abrasive cleaning creams or powders, scrub pads or alkali cleaners such as ammonia, concentrated caustic soda, formic acid or anything highly corrosive.

Check out our full range of Kitchen Products

Kitchen Sinks

Stainless Steel Kitchen Sinks

Granite Composite Kitchen Sinks

Glass Kitchen Sinks

Ceramic Kitchen Sinks

Franke Kitchen Sinks

Kitchen Taps

Contemporary Kitchen Taps

Traditional Kitchen Taps

Franke Kitchen Taps

Pull out Rinser Kitchen Taps

Instant Boiling Water Taps

Insinkerator Waste Disposal Units

plumbworld
Big brands, small prices.