

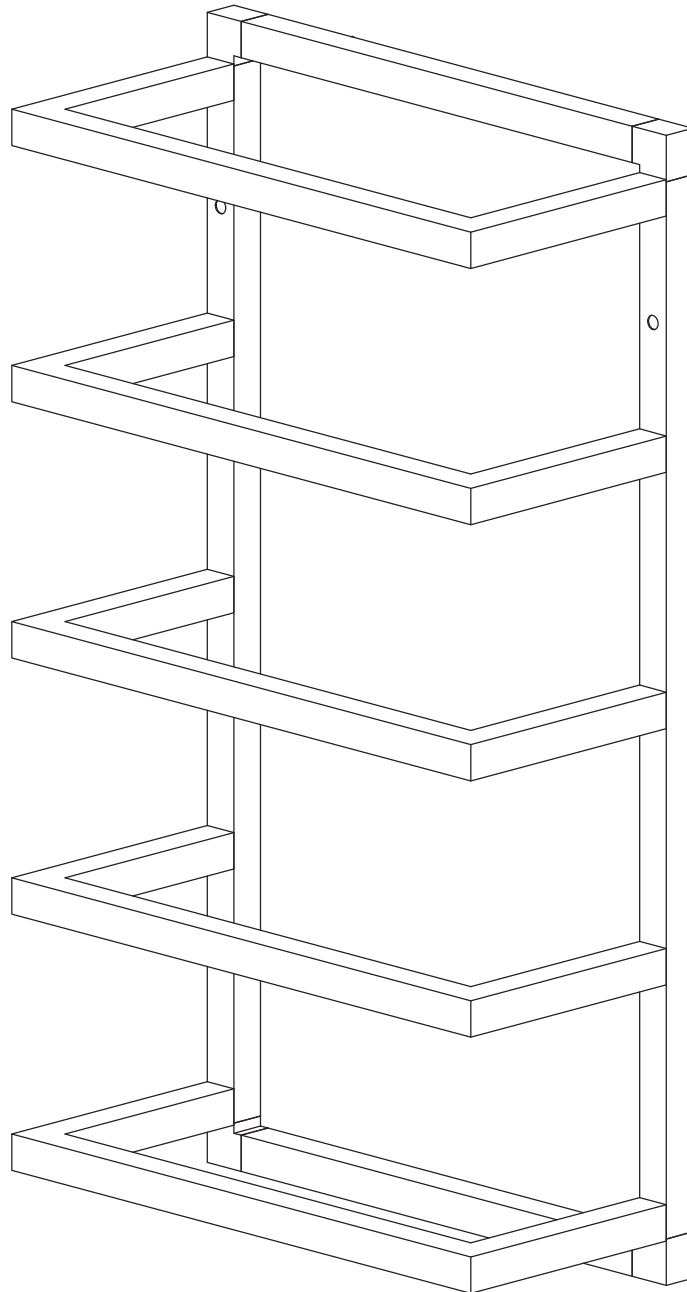
Chrome 5 Tier Wall Towel Rack

Assembly instructions

Product Size:

310mm W x 150mm D x 570mm H

LP 052.02.050M



If you need help or have damaged or missing parts, call the **Customer Helpline: 0121 776 5720**

Safety and care advice

Important—Please read these instructions fully before starting assembly

- Check you have all the components and tools listed on pages 3 and 4.
- Remove all fittings from the plastic bags and separate them into their groups.
- Keep children and animals away from the work area, small parts could choke if swallowed.
- Make sure you have enough space to lay out the parts before starting.

- Do not stand or put weight on the product, this could cause damage.
- Assemble the item as close to its final position (in the same room) as possible.
- Assemble on a soft level surface to avoid damaging the unit or your floor.
- Parts of the assembly will be easier with 2 people.



- We do not recommend the use of power drill/drivers for inserting screws, as this could damage the unit. Only use hand screwdrivers.
- Dispose of all packaging carefully and responsibly.
- When drilling walls check first for hidden pipes and cables.
- Use safety eyewear when drilling.

Care and Maintenance

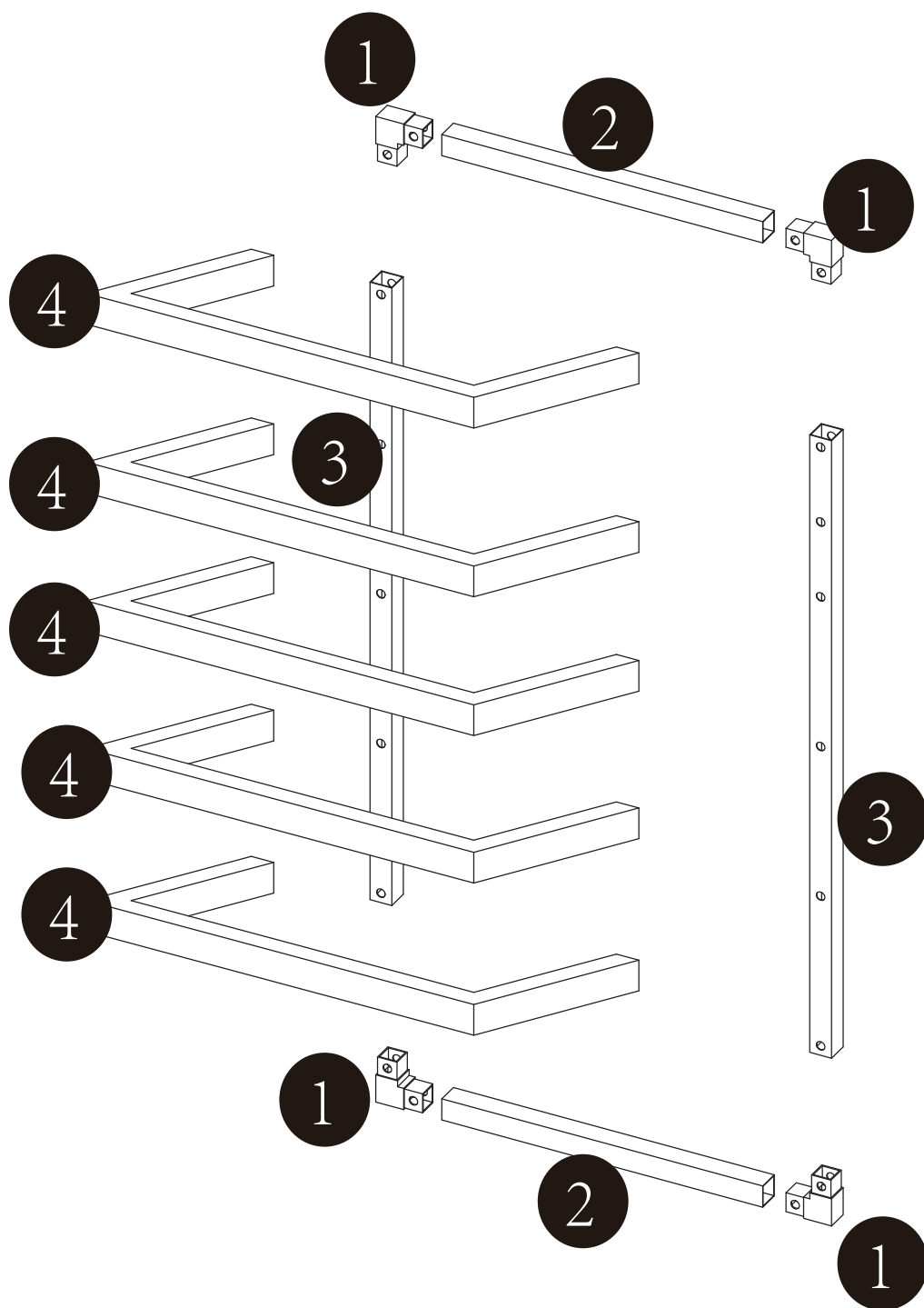
- Only clean using a damp cloth and mild detergent, do not use bleach or abrasive cleaners.
- From time to time check that there are no loose screws on this unit.
- This product should not be discarded with household waste. Take to your local authority waste disposal centre.

Handy Hints

- Assemble all parts and bolts loosely during assembly, only once the product is complete should you fully tighten the bolts
- Regularly check and ensure that all bolts and fittings are tightend properly.

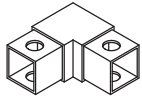
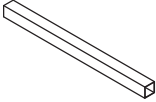
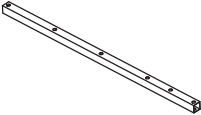
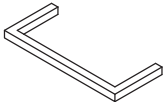
Chrome 5 Tier Wall Towel Rack Assembly instructions

Getting To Know Your Product



Chrome 5 Tier Wall Towel Rack Assembly instructions

Components supplied(not actual size)

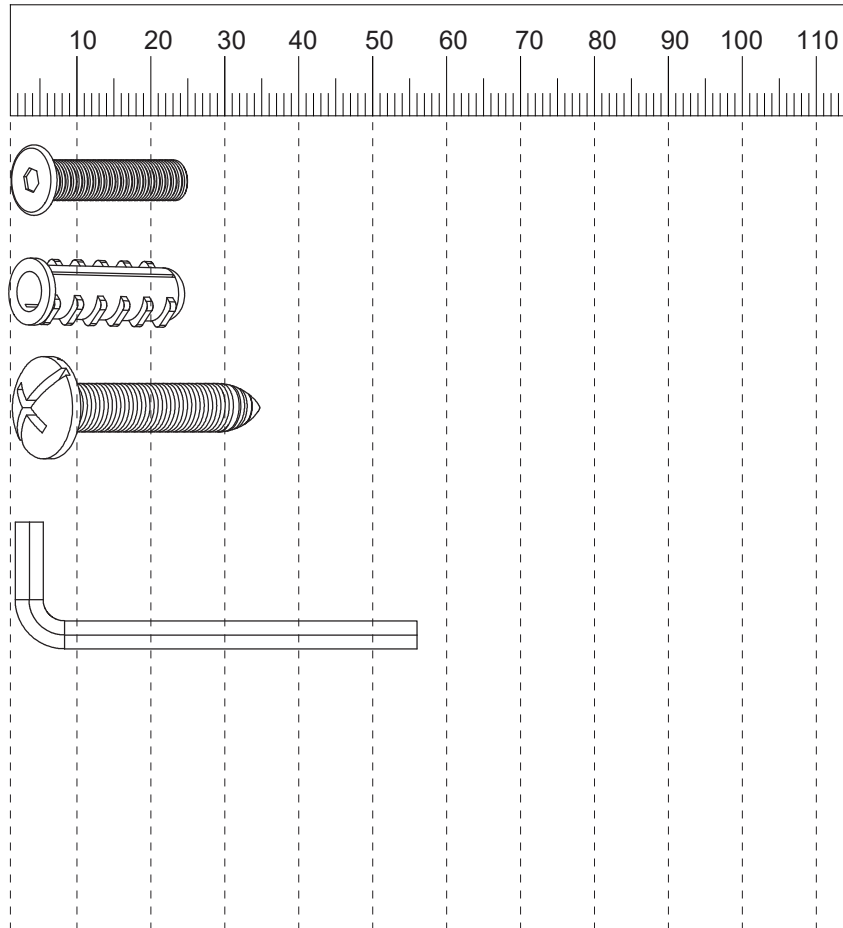
| Ref | Dimensions(mm) | Image | Qty |
|-----|----------------|---|-----|
| 1 | 39*39*18 mm |  | 4 |
| 2 | 18*18*264 mm |  | 2 |
| 3 | 18*18*524 mm |  | 2 |
| 4 | 310*132*18 mm |  | 5 |

Chrome 5 Tier Wall Towel Rack Assembly instructions

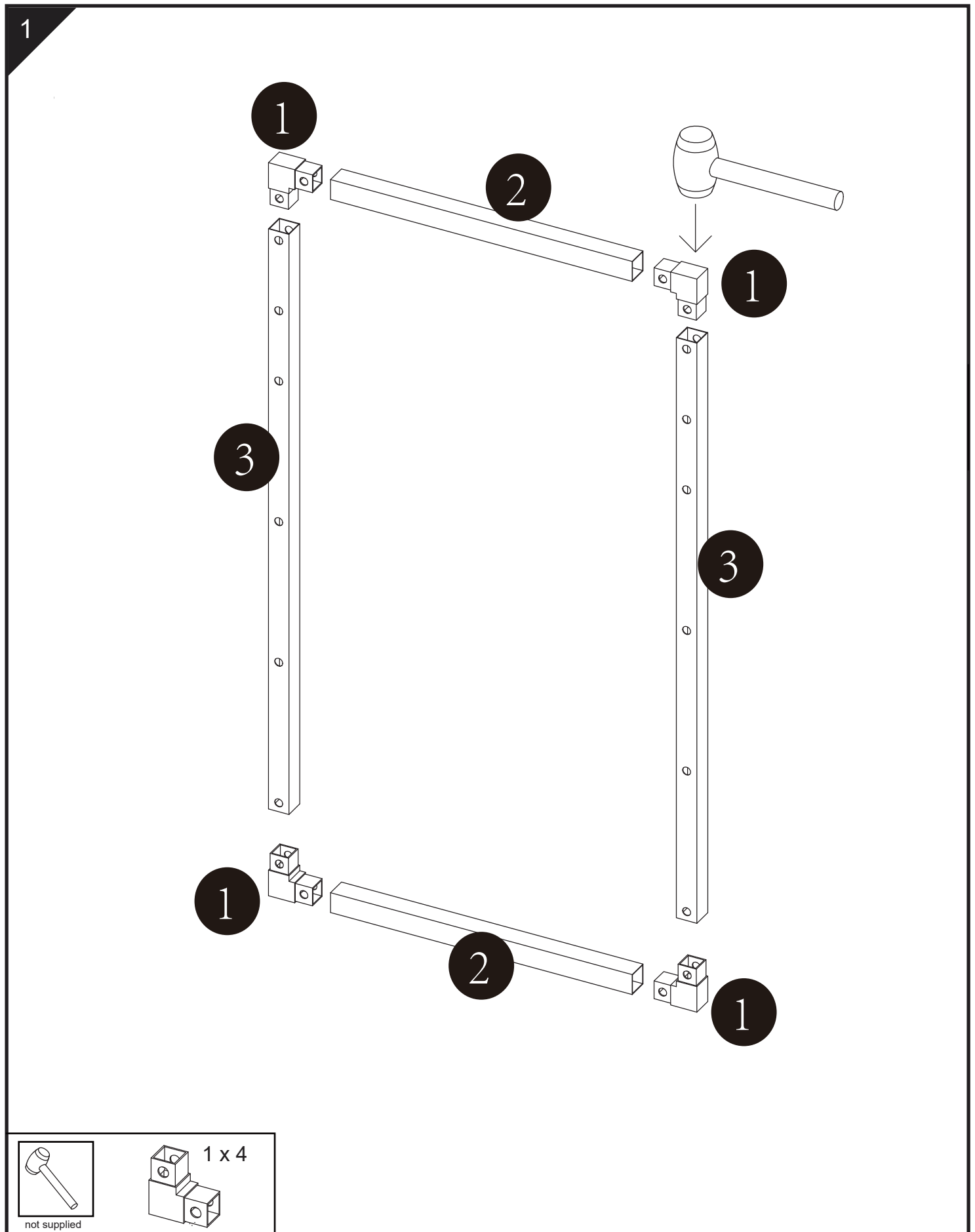
If you need help or have damaged or missing parts, call the **Customer Helpline: 0121 776 5720**

Fixtures and Fittings supplied(actual size)

| Ref | Dimensions(mm) | Qty |
|-----|----------------|-----|
| A | 6x25 | 10 |
| B | 9x25 | 2 |
| C | 4x35 | 2 |
| D | 57x21 | 1 |
| | | |
| | | |

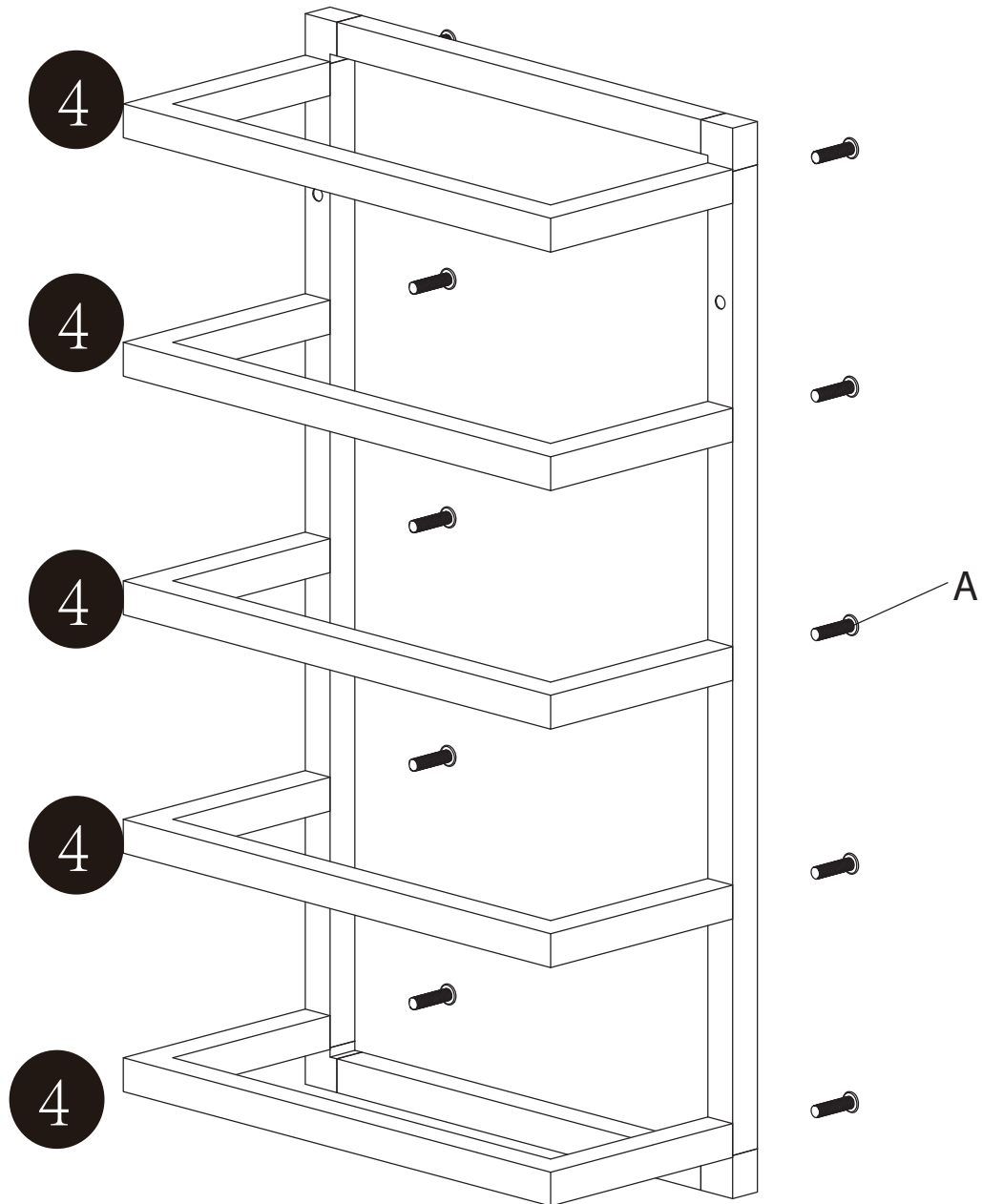


Chrome 5 Tier Wall Towel Rack Assembly instructions

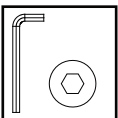


Chrome 5 Tier Wall Towel Rack Assembly instructions

2



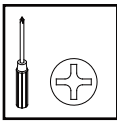
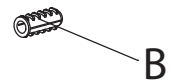
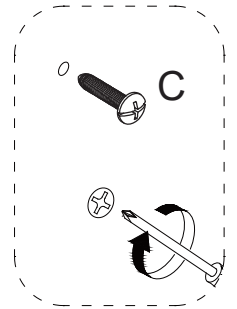
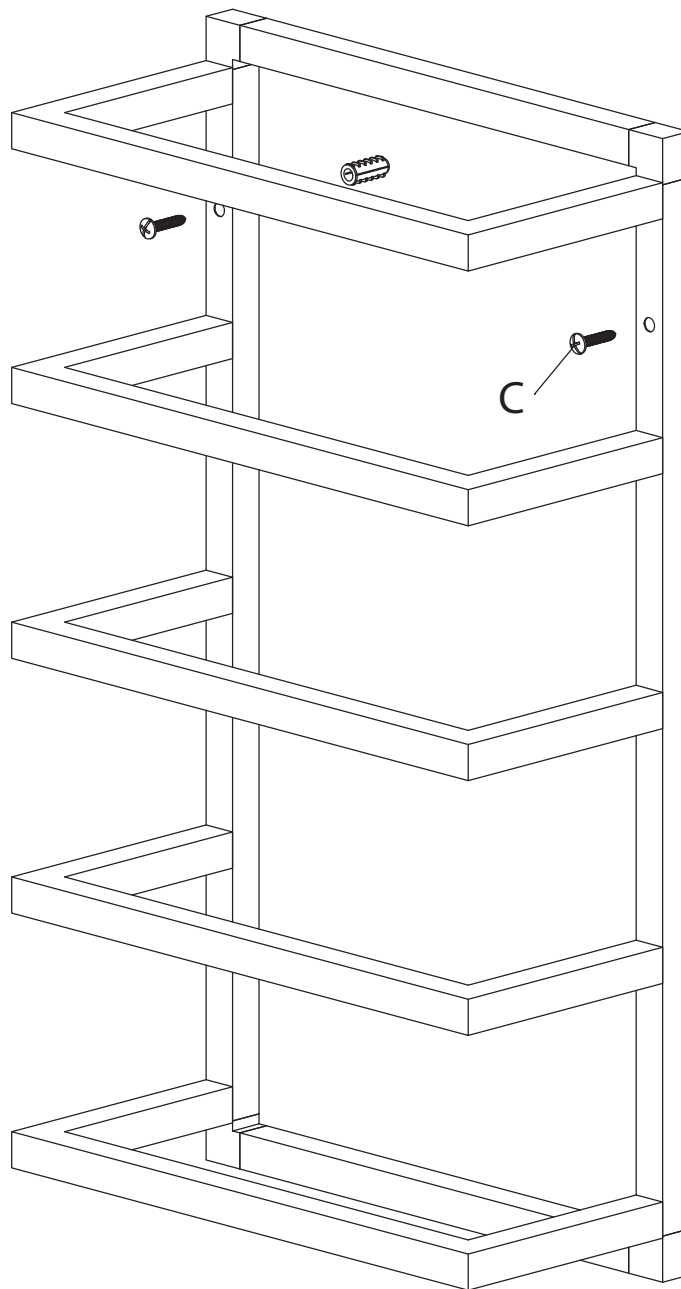
7



A x 10 6 x 25

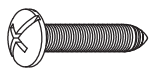


Chrome 5 Tier Wall Towel Rack Assembly instructions



not supplied

C x 2 4x35



B x 2 9x25

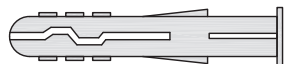


A guide to wall mounting & fixings

Important note:

If plastic wall plugs are supplied with your product, these are only suitable for use in masonry walls.

e.g.:



If you are in any doubt about the correct wall plugs for your wall, seek professional advice.


Failure of the product due to using the incorrect fixings is the responsibility of the installer.



Important: when drilling into walls always check that there are no hidden wires or pipes etc.

Make sure that the screws and wall plugs being used are suitable for supporting your unit. Consult a qualified tradesperson if you are unsure.

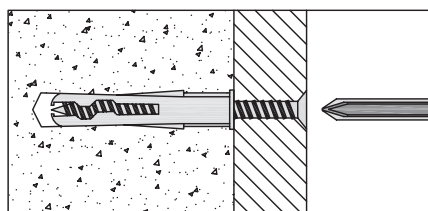
Hints:

- 1: General rule:  always use a larger screw and wall plug if you are not sure.
- 2: Ensure you use the recommended drill bit to match the wall plug and hole size.
- 3: Ensure you drill the hole horizontally; do not force the drill or enlarge the hole.
- 4: Take extra care when drilling high walls, ceilings and ceramic tiles. Ensure wall plugs are inserted beyond the thickness of the ceramic tiles to avoid the tiles splitting or cracking.
- 5: Ensure wall plugs are well fitted and are a tight fit in the drilled hole.

Types of walls

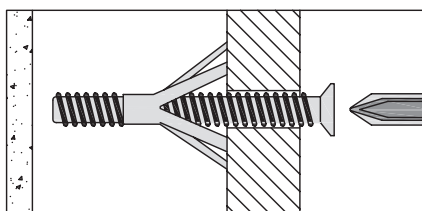
You can use one of the following types of wall plug if your walls are made of brick, breeze block, concrete, stone or wood.

No.1 "General Purpose" wall plug



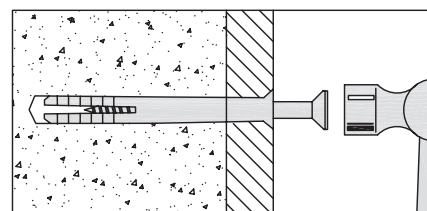
Generally aerated blocks should not be used to support heavy loads, use a specialist fitting in this case. For light loads, general purpose wall plugs can be used.

No.3 "Cavity Fixing" wall plug



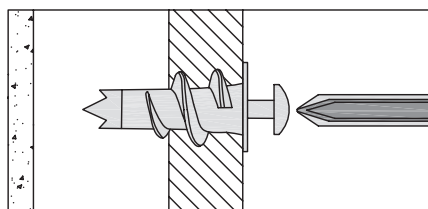
For use with plasterboard partitions or hollow wooden doors.

No.5 "Hammer Fixing" wall plug



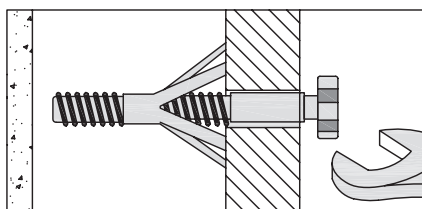
For use with walls stuck with plasterboard. The hammer fixing allows it to be fixed to the wall rather than the plasterboard. Always check the fixing is secure to the retaining wall.

No.2 "Plasterboard" wall plug



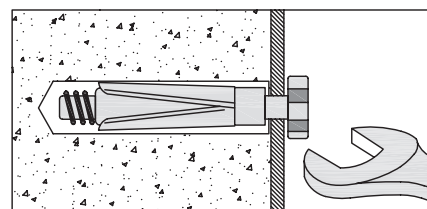
For use when attaching light loads onto plasterboard partitions.

No.4 "Cavity Fixing - Heavy Duty" wall plug



For use when fitting or supporting heavy loads such as shelving, wall cabinets and coat racks.

No.6 "Shield Anchor" wall plug - heavy loads



For use with heavier loads such as TV and HiFi speakers and satellite dishes etc.



Care & Maintenance

Safety: always check the fitting and location to ensure your safety in and around the home.

Fitting: from time to time check the fitting to ensure the wall plugs or screws do not become loose.