

Powerstream

Instantaneous Water Heater



Delivers hot water at point of use for up to two hand basins with 'A' rated efficiency.

The Powerstream range of unvented, instantaneous water heaters offers a fast, convenient and space saving source of hot water on demand, wherever and whenever it's required. A choice of 9.5, 10.8 or 12kW versions.



9.5kW **10.8kW** **12.0kW**

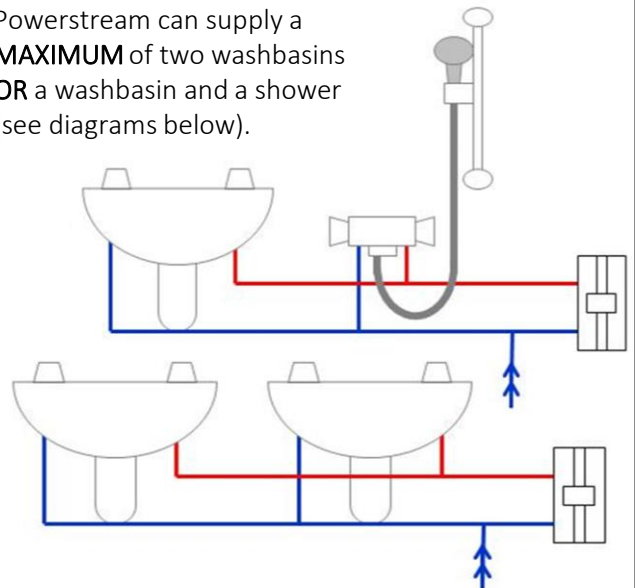
Key Features:

- Hot water supplied to either one shower and one hand basin, or to two hand basins
- Requires mains water and electric connections
- Fast response time, heats cold water instantly
- A-Rated economy, no standing heat losses
- Water outlet is via existing tap or mixer
- Small compact shape for unobtrusive installation
- 2 heat settings (full/half power) set at installation
- Neon 'power on' indicator
- IPX4 rated, BEAB and CE approved
- Operating pressure 1 – 10 Bar
- 2-year guarantee (UK)

Compact design for unobtrusive installation, under sink or in-cupboard



Powerstream can supply a **MAXIMUM** of two washbasins **OR** a washbasin and a shower (see diagrams below).



If connected to a mixer tap, it should be a **NON-Thermostatic** mixer tap; water mixes at the outlet pipe only.

Powerstream is **not** suitable for fitting to a bath or kitchen sink other than for hand-washing purposes.

Powerstream

Instantaneous Water Heater



Product Specification	RP1	RP10.8	RP12
MPN / Product Code	45793201	45793204	45793202
EAN13 Barcode	5017084453016	5017084452040	5017084452026
Operating Pressure	15 – 150 psi	20 – 150 psi	25 – 150 psi
kW Loading @ 230-240V	8.7 – 9.5 kW	9.0 – 10.8 kW	11 – 12 kW
Cable Size Guide*	6/10 mm ²	10 mm ²	16 mm ²
Fuse Rating Guide*	40 Amps	45 Amps	50 Amps
Splash Rating	IPX4	IPX4	IPX4
Sheathed Heating Elements	✓	✓	✓
Thermal Cut-out Protection	✓	✓	✓
ErP Energy Classification	A	A	A
BEAB and CE Approved	✓	✓	✓
UK Guarantee (Years)	2	2	2

*Guide only – in in doubt consult installer or suitably qualified person

Installation Notes:

If a **non-return valve** is fitted in the inlet feed to the unit, then the installation should also include a 3.5 BAR Pressure Reducing Valve and a 6 BAR Pressure Relief (Expansion) Valve (see diagram opposite)

Check the pressure of the main incoming water supply. Operation at full capability requires the following running pressures;

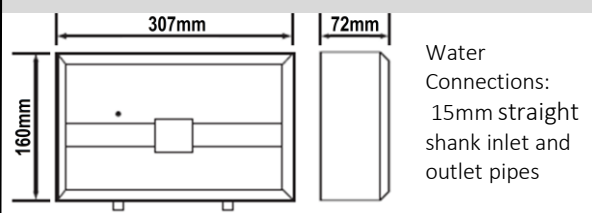
Required Incoming Water Pressure	RP1	RP10.8	RP12
kW Loading @ 240V AC	9.5kW	10.8kW	12kW
To Supply a Basin Requires (Bar)	0.7 – 10.3	1.1 – 10.3	1.4 – 10.3
To Supply a Shower Requires (Bar)	1.1 – 10.3	1.4 – 10.3	1.8 – 10.3

Performance:

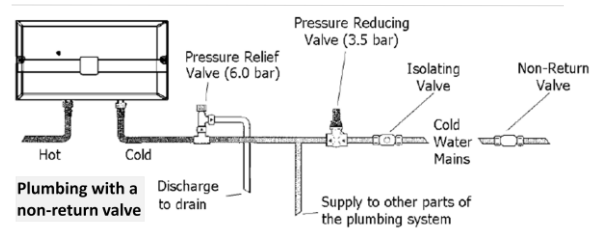
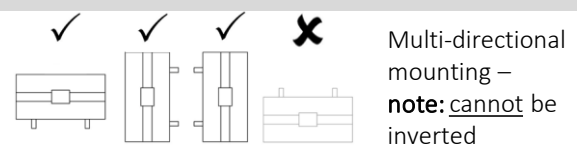
The water output flow will vary depending on the temperature of the incoming water, for example higher flow is achieved in summer compared to winter when the incoming water is colder. The table below gives an indication of the temperatures and flow rates.

Flow Rate Performance	RP1	RP10.8	RP12
kW Loading @ 240V AC	9.5kW	10.8kW	12kW
4 Litres/Min (Winter / Summer)	39 / 54 °C	44 / 58 °C	48 / 63 °C
5 Litres/Min (Winter / Summer)	32 / 47 °C	36 / 51 °C	39 / 54 °C
6 Litres/Min (Winter / Summer)	28 / 42 °C	31 / 46 °C	34 / 49 °C

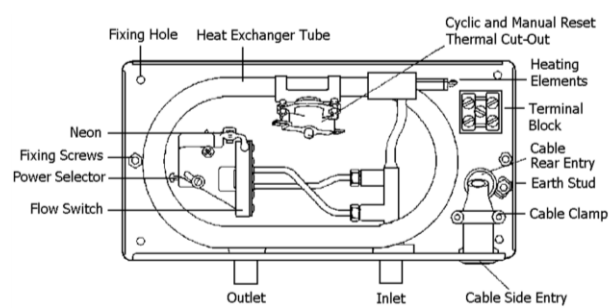
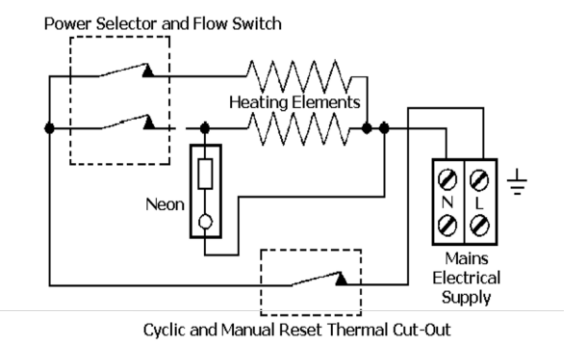
---DIMENSIONS---



---INSTALLATION---



---WIRING---



---BOX CONTENTS---

- Powerstream unit and instruction manual



Redring, Newcombe House, Newcombe Way, Peterborough, PE2 6SE.

Tel. 01733 456789

A Glen Dimplex Group company

Check out our full range of Heating Products

Central Heating Controls

Honeywell Heating Controls

Danfoss Heating Controls

Radiator Valves

Fernox

Sentinel

Magnaclean

Warmup underfloor heating

Water Heaters

Hand Dryers

plumbworld
Big brands, small prices.