

ASSEMBLY & INSTALLATION INSTRUCTIONS

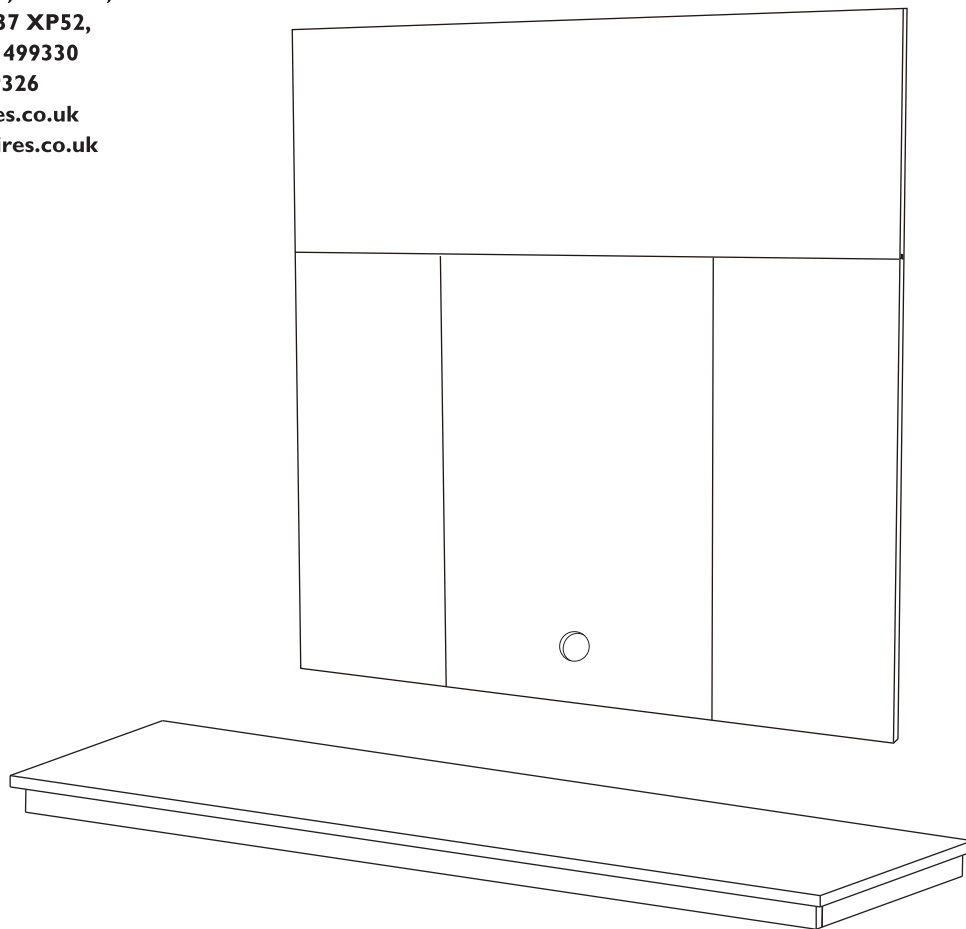


Focal Point Fires Ltd
Christchurch, Dorset BH23 2BT
Tel: 01202 49933499330
Fax: 01202 499326
www.focalpointfires.co.uk
e : sales@focalpointfires.co.uk

Focal Point Fires Ltd
RBK House, Irishtown, Athlone,
Co. Westmeath, N37 XP52,
Ireland Tel: 01202 499330
Fax: 01202 499326
www.focalpointfires.co.uk
e: sales@focalpointfires.co.uk

MODELS COVERED BY THESE INSTRUCTIONS

- F820941 Black Granite MDF back panel and hearth set
- F820942 White Sparkly MDF back panel and hearth set
- F820943 Slate effect MDF back panel and hearth set
- F820944 White marble MDF back panel and hearth set



3 YEAR GUARANTEE

SUBJECT TO TERMS & CONDITIONS

For details please see: www.focalpointfires.co.uk or telephone
01202 588635 Option 4

Please note : Except where otherwise stated, all rights, including copyright in the text, images and layout of this booklet is owned by Focal Point Fires Ltd. You are not permitted to copy or adapt any of the content without the prior written permission of Focal Point Fires Ltd.

All instructions must be handed to the user for safekeeping.

Revision A 07/21

© 2021 Focal Point Fires Ltd.

Section	Contents	Page No.
1.0	Important Notes	2
2.0	Tools required	2
3.0	Hardware & parts list	2
4.0	Assembly without a cut out	3
5.0	Assembly with a cut out	5
6.0	Cleaning/ finishing	7
7.0	Guarantee- terms and conditions	7

1.0 IMPORTANT NOTES

To ensure safe and stable installation:

1. The assembled Fire Surround must be fixed/ secure to the wall.
2. The wall must be sturdy and in good repair.
3. Some walls require alternative fixing (not included).
4. There are two options for constructions of the back panel.

A - Without a cut out

B - With a cut out

2.0 TOOLS REQUIRED

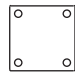

Cross head screw driver PZ2 (3 inches in length or greater)






Drill, and a 2mm suitable drill bit

Pencil

Tape measure

3.0 HARDWARE & PARTS LIST

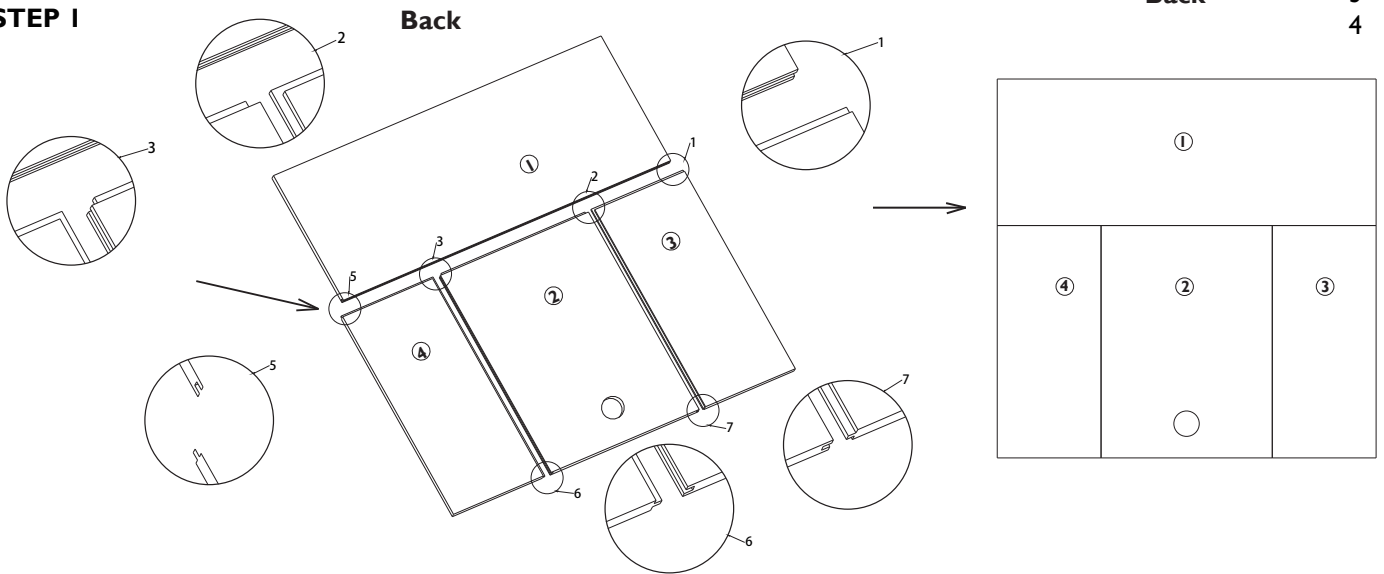
CODE	NAME	FIGURE	QUANTITY
A	FIXING BRACKET (60X60mm)		6PCS
B	SCREW (4X12mm)		24PCS

CODE	NAME	FIGURE	QUANTITY
①	TOP PANEL		1PCS
②	MIDDLE PANEL		1PCS
③	LEFT PANEL		1PCS
④	RIGHT PANEL		1PCS
⑤	HEARTH		1PCS

OPTION A WITH OUT A CUT OUT

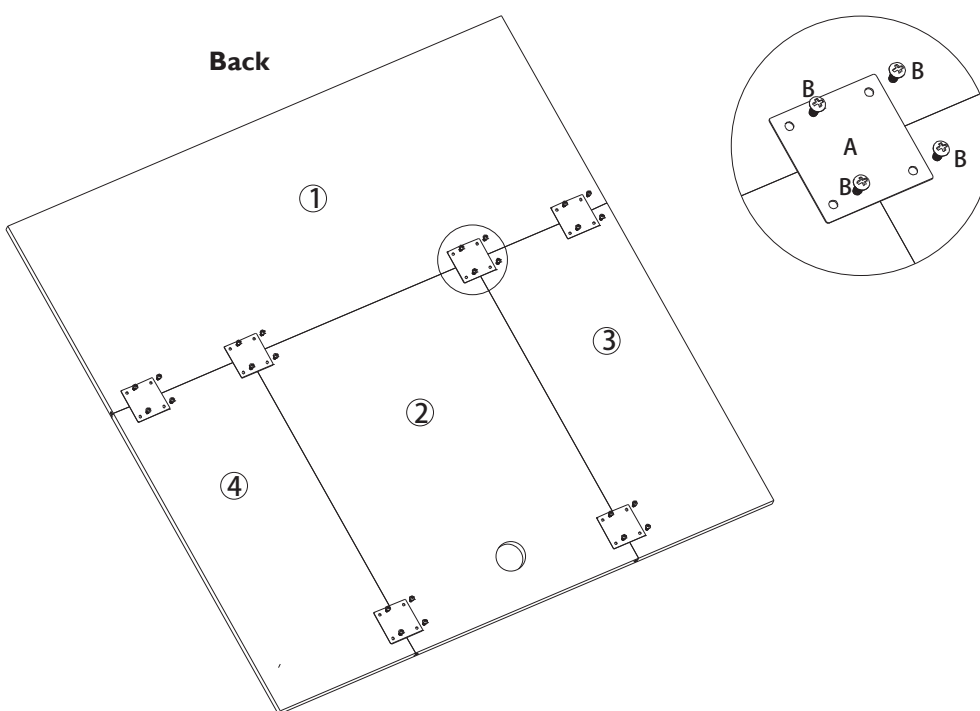
Parts
1
2
3
4

STEP 1



Gently lay all four back panels onto a suitable protected surface. Be extremely careful not to scratch the front edges of the back panels. **DO NOT DRAG THE BACK PANELS!** Make sure that the back panels are lifted every time they are moved to avoid them from being damaged. Ensure the back panels are all faced down. Place the top panel (1) above the 2x side panels (3, 4) that are either side of the middle panel (2). Once in the correct order, carefully slot all 4x panels together.

STEP 2



Fixings	Parts
A x 6 PCS	1
B x 24 PCS	2
	3
	4

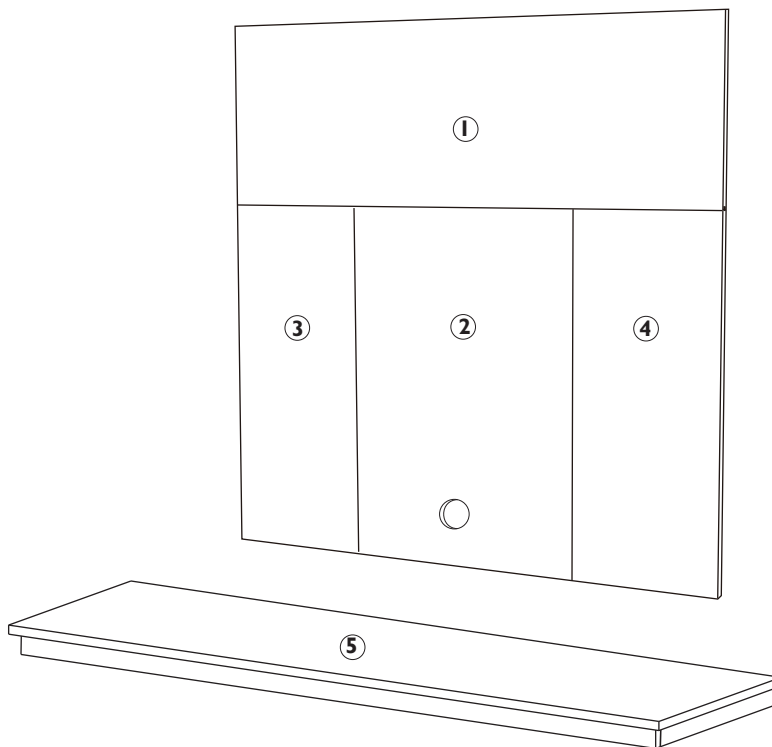
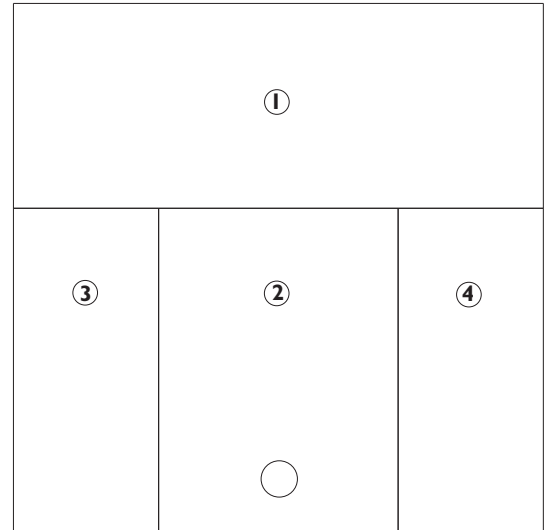
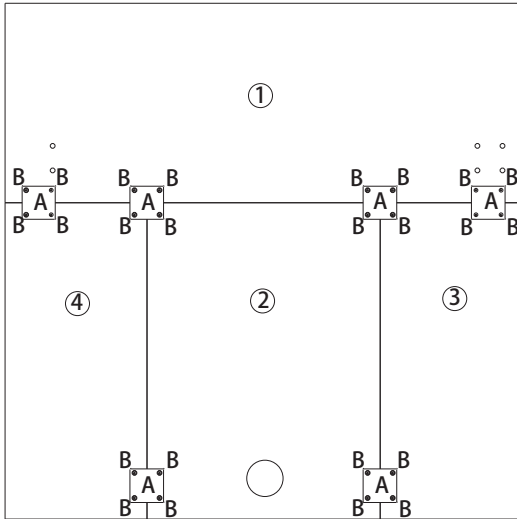
Once all 4x panels have been positioned correctly, Offer the fixing plates (A) into position, as per the above. Make with a pencil all 24x hole positions, remove the fixing plates (A) and drill a 2mm hole 6mm deep in all 24x positions, then place the 6x fixing brackets (A) back into position and carefully screw all 24x 4x12mm screws (B) into place with a cross headed screw driver.

STEP 3

Parts
1
2
3
4
5

Back

Front

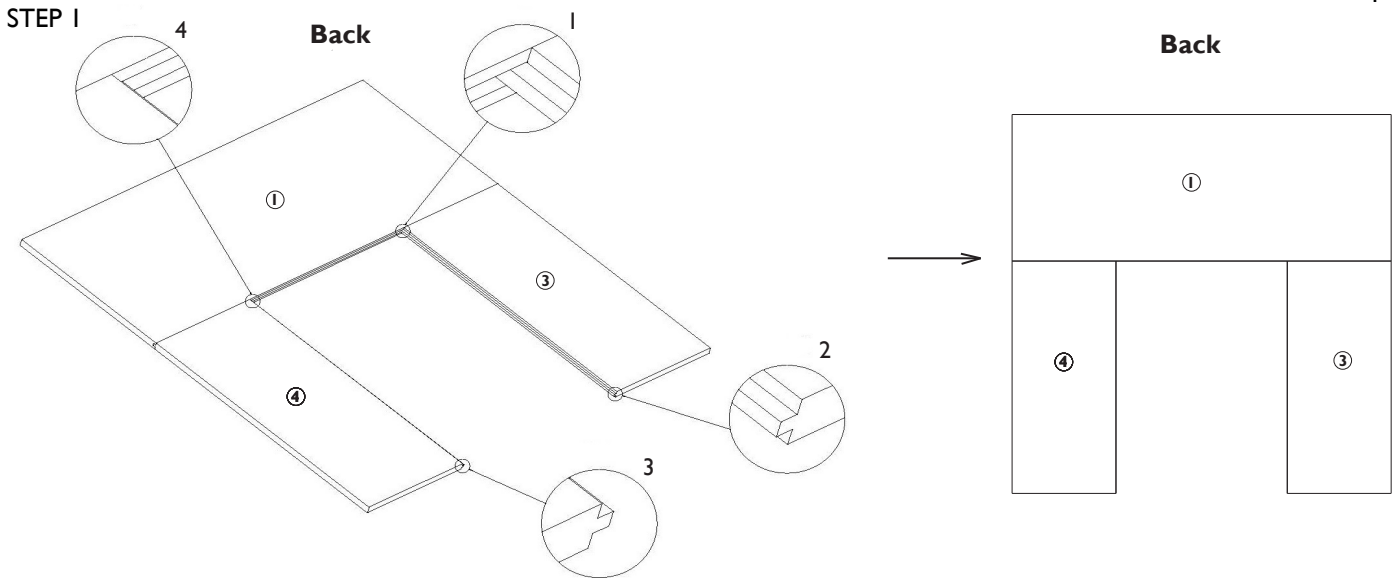


Carefully turn the back panel around so the front is facing forward, then install the back panel on to the rear of the chosen surround.

Ensure the hearth is in the correct orientation and position, then carefully lift the back panel and surround on to the hearth. Feed any wires through before fixing the surround in place.

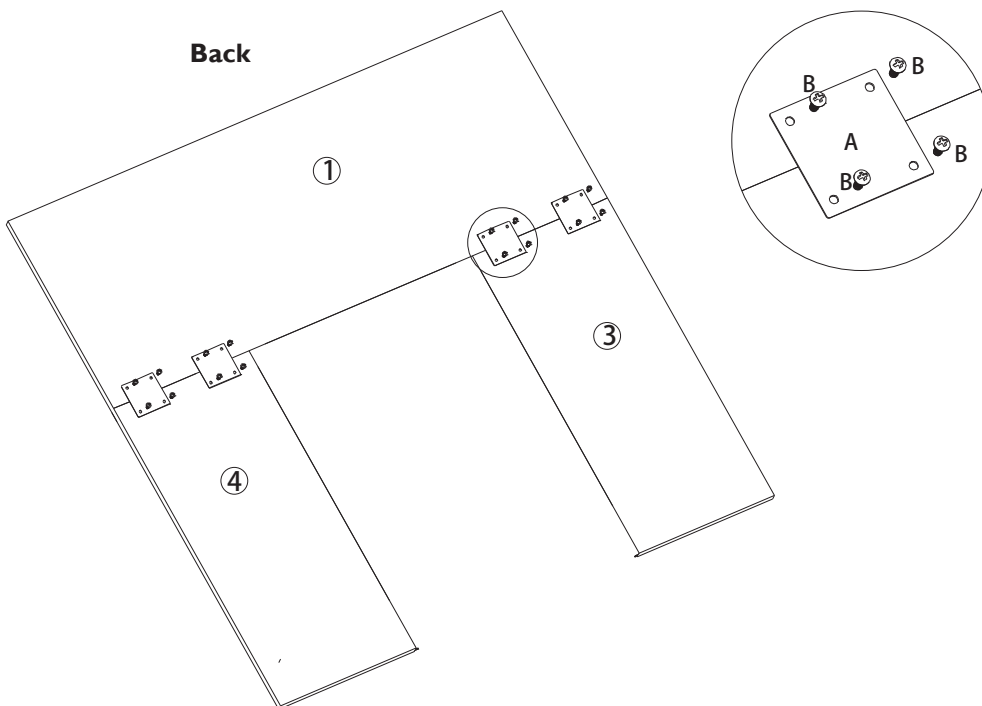
OPTION B WITH A CUT OUT

Parts
1
3
4



Gently lay all four back panels onto a suitable protected surface. Be extremely careful not to scratch the front edges of the back panels. **DO NOT DRAG THE BACK PANELS!** Make sure that the back panels are lifted every time they are moved to avoid them from being damaged. Ensure the back panels are all faced down. Place the top panel (1) above the 2x side panels (3, 4). Once in the correct order, carefully slot all 3x panels together.

STEP 2

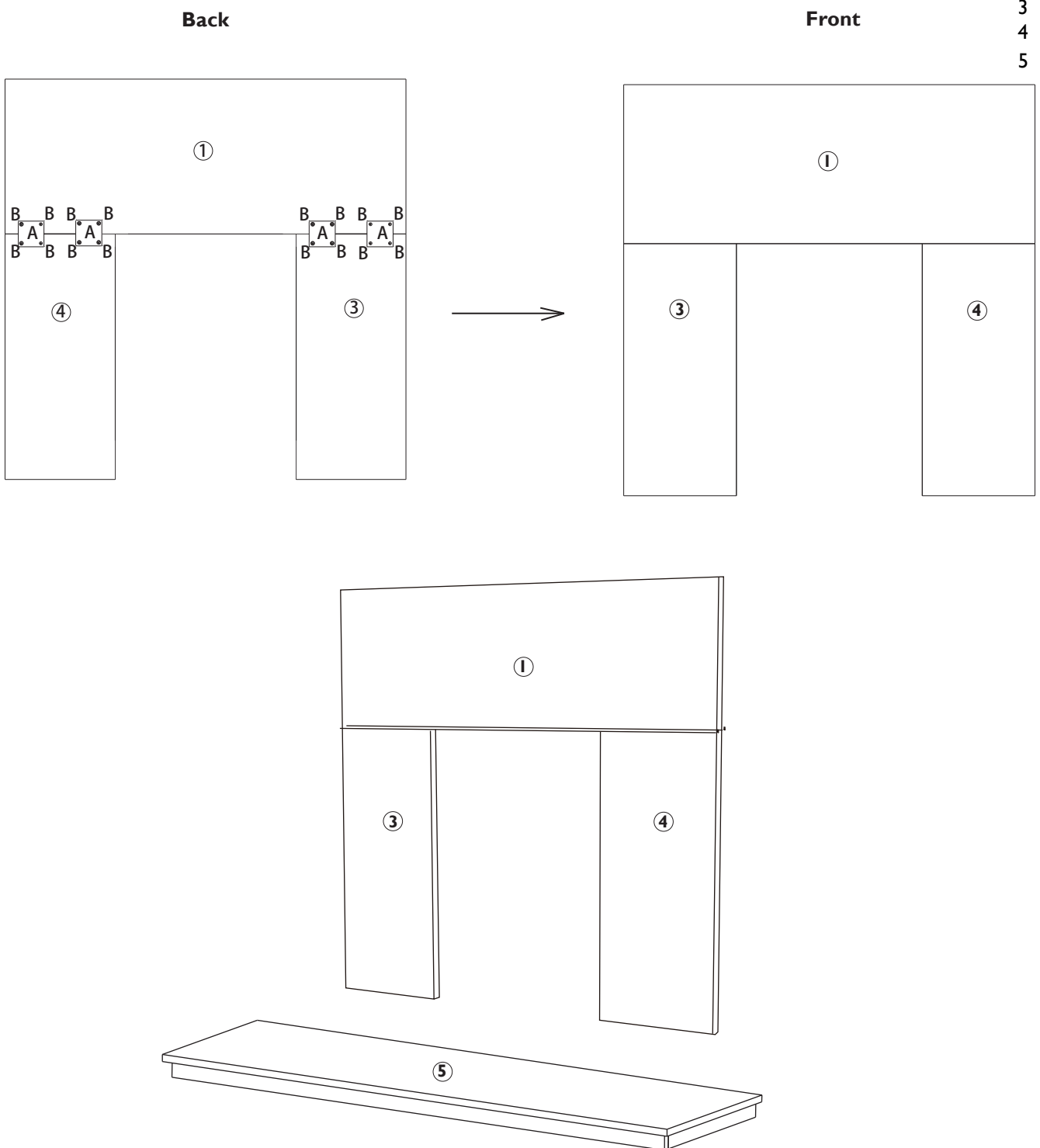


Fixings	Parts
A x 4 PCS	1
B x 16 PCS	3
	4

Once all 3x panels have been positioned correctly, Offer the fixing plates (A) into position, as per the above. Make with a pencil all 16x hole positions, remove the fixing plates (A) and drill a 2mm hole 6mm deep in all 16x positions, then place the 4x fixing brackets (A) back into position and carefully screw all 16x 4x12mm screws (B) into place with a cross headed screw driver.

STEP 3

Parts
1
3
4
5



Carefully turn the back panel around so the front is facing forward, then install the back panel on to the rear of the chosen surround.
Ensure the hearth is in the correct orientation and position, then carefully lift the back panel and surround on to the hearth. Feed any wires through before fixing the surround in place.

6.0 CLEANING/ FINISHING

GB IE

Before carrying out any of the following operations, ensure that the appliance is OFF and completely cold. Regularly clean around the appliance to ensure that dust, fluff, pet hair etc, are kept to a minimum. There are no other specific requirements for care, other than regular cleaning of the general appliance.

A wipe with a dry cloth is normally sufficient. **DO NOT** use abrasive cleaners as they can damage the finish. Test on a hidden part before cleaning. Clean only in the direction of the grain. Regularly check the surround is securely fixed in position.

7.0 GUARANTEE - TERMS AND CONDITIONS

The 3 year guarantee commences from the date of purchase, provided that the terms and conditions are adhered to:

Registration is not required.

1. For any claim to be made within the 3 years from date of purchase you will be required to provide and supply us with your proof of purchase.

Making a claim is easy.

If you wish to make a claim under our 3 year guarantee and all the terms and conditions for your product have been met then please submit the following information for the attention of the 3G Service Department to the address below. Alternatively, you can email or fax. Please note that this does not affect your statutory rights.

Focal Point Fires Ltd, 3G Service Department, Reid Street, Christchurch, Dorset, BH23 2BT.
Alternatively email: 3g@focalpointfires.co.uk or fax. 01202 499326.

Details required:

1. Name, full address including post code and contact telephone number.
2. Receipt of purchase or credit card statement.