

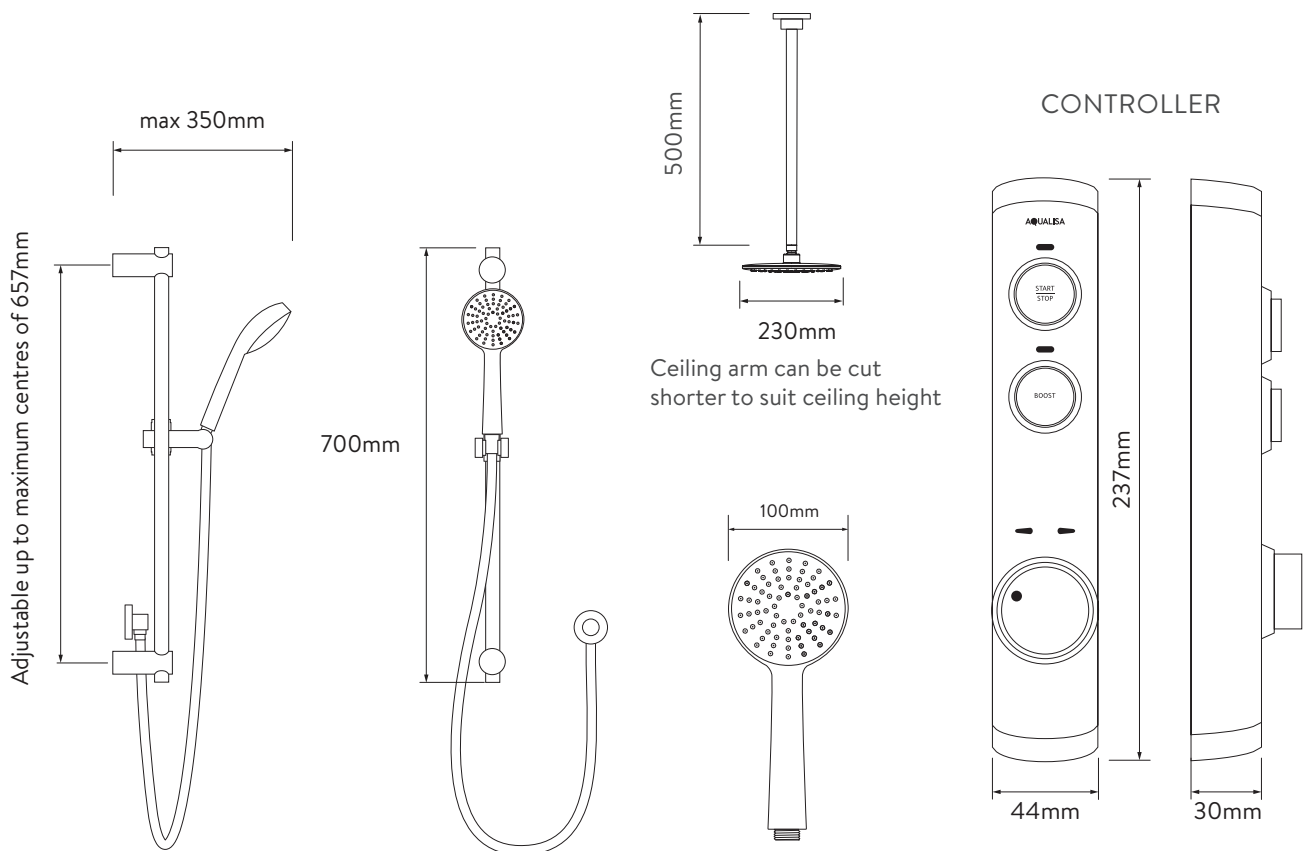
# AQUALISA

## iSYSTEM™ SMART DUAL OUTLET CONCEALED

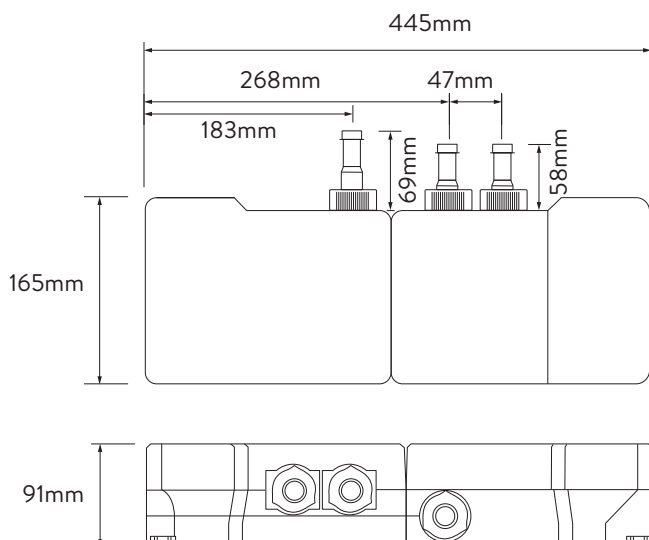
ISD.A2.BV.  
DVFC.21

WITH ADJUSTABLE HEAD AND FIXED CEILING  
DRENCHER - GRAVITY PUMPED

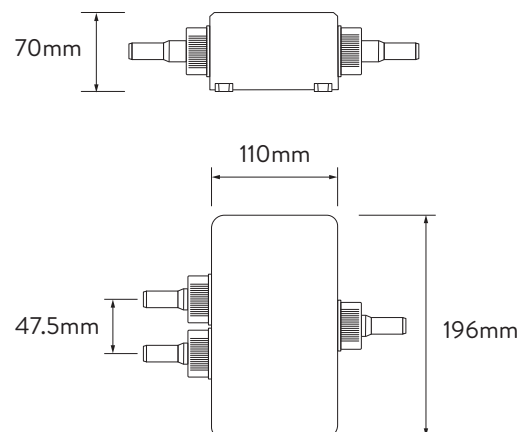
### DIMENSIONAL DRAWINGS



AQUALISA SMARTVALVE™



DIVERTER



# AQUALISA

## iSYSTEM™ SMART DUAL OUTLET CONCEALED

ISD.A2.BV.  
DVFC.21

WITH ADJUSTABLE HEAD AND FIXED CEILING  
DRENCHER - GRAVITY PUMPED

### TECHNICAL SPECIFICATIONS

Minimum pressure requirements	Aqualisa SmartValve™ must be sited no higher than the base level of the cold water cistern (Gravity Pumped)
Maximum pressure requirements	1bar (Gravity)
Aqualisa SmartValve™ inlet fitting connections	15mm push fit
Valve inlet centres	48mm
Inlet supply positions	Hot right, cold left
Aqualisa SmartValve™ outlet fitting connection	15mm push fit
Permissible Aqualisa SmartValve™ sitting location	Loft, airing cupboard, under bath
Supply temperature	Cold inlet temperature 1°C (minimum) Cold inlet temperature 15°C (maximum) Hot inlet temperature 65°C (maximum)
Water system	Gravity
Features	One touch start/stop control
	LED display indicates when pre-selected temperature has been reached
	Compatible with wired remote control
	On installation, you can select the shower outlet you want to start first every time
	Digital Diverter technology
	Wi-Fi & App compatible – control your product with your smart phone and smart home device e.g. Alexa, Google
	App functions include start/stop, shower timer, user dashboard, usage tracker and help & support
	Aqualisa SmartValve™
Colour	Chrome
Guarantee period	5-year guarantee – shower unit
	2-year guarantee – shower head and kit
Approvals	CE Marking

The company reserves the right to alter, change or modify the product or product specifications without prior warning.  
Please refer to the installation guides for technical information.