



# AIR/HYDRAULIC RIVETER

MODEL NO: SA31.V3

Thank you for purchasing a Sealey product. Manufactured to a high standard, this product will, if used according to these instructions, and properly maintained, give you years of trouble free performance.

**IMPORTANT:** PLEASE READ THESE INSTRUCTIONS CAREFULLY. NOTE THE SAFE OPERATIONAL REQUIREMENTS, WARNINGS & CAUTIONS. USE THE PRODUCT CORRECTLY AND WITH CARE FOR THE PURPOSE FOR WHICH IT IS INTENDED. FAILURE TO DO SO MAY CAUSE DAMAGE AND/OR PERSONAL INJURY AND WILL INVALIDATE THE WARRANTY. KEEP THESE INSTRUCTIONS SAFE FOR FUTURE USE.



Refer to instructions



Wear eye protection



Wear protective gloves



Wear ear protection

## 1. SAFETY

- WARNING!** Ensure that Health & Safety, local authority and general workshop practice regulations are adhered to when using this equipment.
- ✓ Familiarise yourself with the applications, limitations and potential hazards peculiar to the riveter.
- WARNING!** Disconnect the riveter from the air supply before changing accessories, servicing or performing any maintenance.
- ✓ Maintain the riveter in good condition (use an authorised service agent).
- ✓ Replace or repair damaged parts. *Use genuine parts only. Unauthorised parts may be dangerous and will invalidate the warranty.*
- ✓ Keep the work area clean, uncluttered and ensure that there is adequate lighting.
- ✓ Keep the riveter clean for best and safest performance.
- WARNING!** Always wear approved eye or face protection when operating the riveter.
- ✓ Maintain correct balance and footing. Ensure the floor is not slippery and wear non-slip shoes.
- ✓ Remove ill fitting clothing. Remove ties, watches, rings and other loose jewellery and contain, and/or tie back, long hair.
- ✓ Keep the riveter away from your body and at a safe distance from others.
- ✓ Keep children and unauthorised persons away from the work area.
- ✓ Secure unstable workpiece with a clamp, vice or other adequate holding device.
- ✓ Ensure that spent rivet stems are disposed of correctly and do not cause a hazard.
- WARNING!** Ensure that the correct air pressure is maintained and not exceeded.
- ✓ Keep air hose away from heat, oil and sharp edges. Check air hose for wear before each use and ensure that all connections are secure.
- ✗ **DO NOT** use the riveter for any purpose other than that for which it is designed.
- ✗ **DO NOT** use the riveter if the safety cap is not in place.
- ✗ **DO NOT** operate the riveter if any parts are damaged or missing and ensure that the safety cap is correctly fitted.
- ✗ **DO NOT** carry the riveter by the hose, or yank the hose from the air supply.
- ✗ **DO NOT** get the riveter wet or use in damp or wet locations or areas where there is condensation.
- ✗ **DO NOT** allow untrained persons to operate the riveter.
- ✗ **DO NOT** point or fire the riveter at people or animals.
- ✗ **DO NOT** operate the riveter when you are tired or under the influence of alcohol, drugs or intoxicating medication.
- ✗ **DO NOT** direct air from the air hose at yourself or others.
- ✓ When not in use disconnect from the air supply and store in a safe, dry, childproof area.
- ✓ Always connect a leader hose to the rivetter with a permanent coupling.

## 2. INTRODUCTION

Powerful tool suitable for both aluminium and blind steel rivets up to 3/16". Supplied with four riveting nozzles and two spanners. Trigger operated riveter with hardened steel jaw assembly and rivet shaft safety cap.

## 3. SPECIFICATION

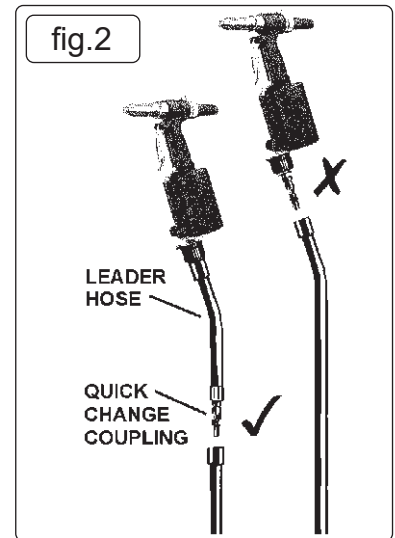
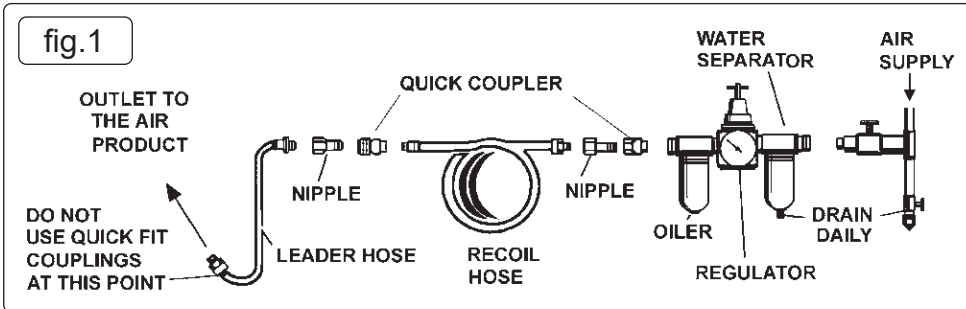
Model No:.....SA31.V3  
 Air Consumption: ..... 4cfm  
 Blind Rivet Type: .....Aluminium, Steel, Stainless Steel  
 Noise Power/Pressure: ..... 80/72dB(A)  
 Nozzle sizes:.....  
 .....3/32"(2.4mm), 1/8"(3.2mm), 5/32"(4mm), 3/16"(4.8mm)  
 Operating Pressure: ..... 90psi  
 Vibration/Uncertainty:..... 20.96/1.5m/s<sup>2</sup>



## 4. AIR SUPPLY

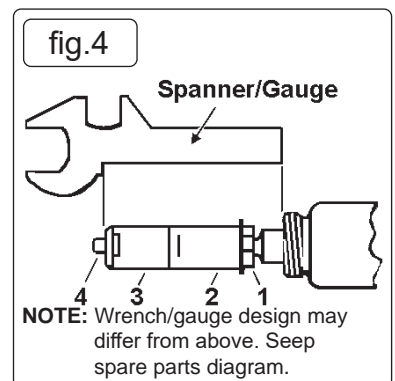
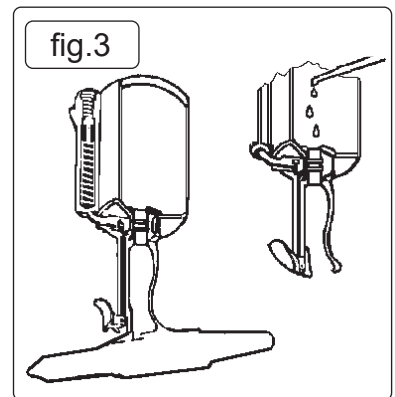
- WARNING!** Ensure the air supply is clean and does not exceed 90psi while operating the riveter. Too high an air pressure and unclean air will cause excessive wear, and may be dangerous, causing damage and/or personal injury.
- 4.1. Ensure the riveter air valve (or trigger) is not depressed before connecting to the air supply.
  - 4.2. You will require an air pressure between 70-90psi, and an air flow according to the specification above.
  - 4.3. Drain the compressor daily. Water in the air line will damage the riveter and invalidate your warranty.

- 4.4. Clean air inlet filter weekly. Recommended hook-up procedure is shown in (fig.1).
- 4.5. Line pressure should be increased to compensate for unusually long air hoses (over 8 metres).
- 4.6. The minimum hose bore should be 10mm and fittings must have the same inside dimensions.
- 4.7. Keep hose away from heat, oil and sharp edges. Check hoses for wear, and make certain that all connections are secure.
- 4.8. **COUPLINGS**
- 4.8.1. Vibration may cause failure if a quick change coupling is connected directly to the air riveter. To overcome this, connect a leader hose - Sealey model number AH2R or AH2R/38 - to the riveter. A quick change coupling may then be used to connect the leader hose to the air line recoil hose (figs.1 & 2).



## 5. ASSEMBLY

- ❑ **WARNING! Ensure you have read, understood and applied the safety instructions. This Tool is designed for riveting metal, primarily in workshops and garages. Not recommended for any other use.**
- 5.1. **FILLING WITH HYDRAULIC OIL** (Check each time before use).
  - 5.1.1. Disconnect the tool from the air line.
  - 5.1.2. Hold the tool upside-down and remove the air cylinder cap with a spanner.
  - 5.1.3. Remove piston set.
  - 5.1.4. Pump hydraulic oil into hydraulic cylinder until it overflows from the cylinder neck, (fig.3) and wipe any excess oil away with a dry cloth.
  - 5.1.5. Insert hydraulic plunger into cylinder and press it in slightly.
  - 5.1.6. Reverse above procedure to reassemble. Slightly lubricate the inside wall of the air cylinder.
- 5.2. **ADJUSTING THE STROKE**
  - 5.2.1. Check that the hydraulic oil level is at its maximum (see section 5.1.4. and fig.3).
  - 5.2.2. Check the jaw stroke by using the supplied wrench/gauge as in (fig.4) and adjust if necessary (there is a 5mm tolerance).
  - 5.2.3. Hold the jaw case in place with a spanner and loosen the lock nut with the spanner gauge supplied. Adjust the distance between them as required.
  - 5.2.4. Tighten the lock nut when adjustment is complete.
- 5.3. **CHANGING JAWS**
  - 5.3.1. Disconnect the tool from the air line.
  - 5.3.2. Use a spanner to remove the frame head.
  - 5.3.3. Use both spanners to unscrew the jaw case.
  - 5.3.4. Remove the jaws and clean with solvent or a brush. If the teeth are blunted, replace with new jaws. Use genuine Sealey parts only, refer to Parts List.
  - 5.3.5. Reverse the above procedure to reassemble.
- 5.4. **OPERATION**
  - 5.4.1. Be sure to select the correct nosepiece and rivet for the job; diameter and length.
  - 5.4.2. Insert the rivet mandrel full length into the nosepiece.
  - 5.4.3. Direct the nosepiece at the pre-drilled aligned holes and insert the rivet body full depth through the elements to be joined.
  - 5.4.4. Squeeze the trigger until the rivet mandrel breaks.
  - 5.4.5. Empty the used mandrel ends from the reservoir periodically. Always replace the reservoir.



## 6. MAINTENANCE

- ❑ **WARNING! Ensure you disconnect the tool from the air supply system before attempting any service or maintenance.**
- 6.1. Maintain the tool with care. Keep it oiled for optimum performance.
- 6.2. Lubricate the air tool daily with a high quality air tool oil, (Sealey model no. ATO/500 or ATO/1000).
- 6.3. Store the tool in a safe, dry, secure environment.
- 6.4. Factors that may inhibit performance.
- 6.5. Loss of power or erratic action may be caused by reduced compressor output, an excessive drain on the air line, moisture or restrictions in air pipes or the use of hose connections of improper size. Grit or gum deposits in the tool may cut power and can be corrected by cleaning the air strainer and flushing out the tool with gum solvent oil or an equivalent de-greaser. If all outside conditions are in order, disconnect the tool from the air supply, disassemble and replace any worn or damaged parts with Sealey original parts. Clean all parts, reassemble the tool and lubricate as described above. Alternatively, take the tool to your nearest authorised service agent.

## WARNING! – Risk of Hand Arm Vibration Injury.

**This tool may cause Hand Arm Vibration Syndrome if its use is not managed adequately.**

This tool is subject to the vibration testing section of the Machinery Directive 2006/42/EC.

This tool is to be operated in accordance with these instructions.

**Measured vibration emission value (a): . . . . . 20.96m/s<sup>2</sup>**

**Uncertainty value (k): . . . . . 1.5m/s<sup>2</sup>**

*Please note that the application of the tool to a sole specialist task may produce a different average vibration emission. We recommend that a specific evaluation of the vibration emission is conducted prior to commencing with a specialist task.*

A health and safety assessment by the user (or employer) will need to be carried out to determine the suitable duration of use for each tool.

**NB:** Stated Vibration Emission values are type-test values and are intended to be typical.

Whilst in use, the actual value will vary considerably from and depend on many factors.

Such factors include; the operator, the task and the inserted tool or consumable.

**NB:** ensure that the length of leader hoses is sufficient to allow unrestricted use, as this also helps to reduce vibration.

*The state of maintenance of the tool itself is also an important factor, a poorly maintained tool will also increase the risk of Hand Arm Vibration Syndrome.*

### Health surveillance.

We recommend a programme of health surveillance to detect early symptoms of vibration injury so that management procedures can be modified accordingly.

### Personal protective equipment.

We are not aware of any personal protective equipment (PPE) that provides protection against vibration injury that may result from the uncontrolled use of this tool. We recommend a sufficient supply of clothing (including gloves) to enable the operator to remain warm and dry and maintain good blood circulation in fingers etc. Please note that the most effective protection is prevention, please refer to the Correct Use and Maintenance section in these instructions. Guidance relating to the management of hand arm vibration can be found on the HSE website [www.hse.gov.uk](http://www.hse.gov.uk) - Hand-Arm Vibration at Work.



### ENVIRONMENT PROTECTION

Recycle unwanted materials instead of disposing of them as waste. All tools, accessories and packaging should be sorted, taken to a recycling centre and disposed of in a manner which is compatible with the environment. When the product becomes completely unserviceable and requires disposal, drain any fluids (if applicable) into approved containers and dispose of the product and fluids according to local regulations.

**Note:** It is our policy to continually improve products and as such we reserve the right to alter data, specifications and component parts without prior notice.

**Important:** No Liability is accepted for incorrect use of this product. Please note that other versions of this product are available. If you require documentation for alternative versions, please email or call our technical team on [technical@sealey.co.uk](mailto:technical@sealey.co.uk) or 01284 757505.

**Warranty:** Guarantee is 12 months from purchase date, proof of which is required for any claim.

**Sealey Group, Kempson Way, Suffolk Business Park, Bury St Edmunds, Suffolk. IP32 7AR**



**01284 757500**



**01284 703534**



**sales@sealey.co.uk**



**www.sealey.co.uk**