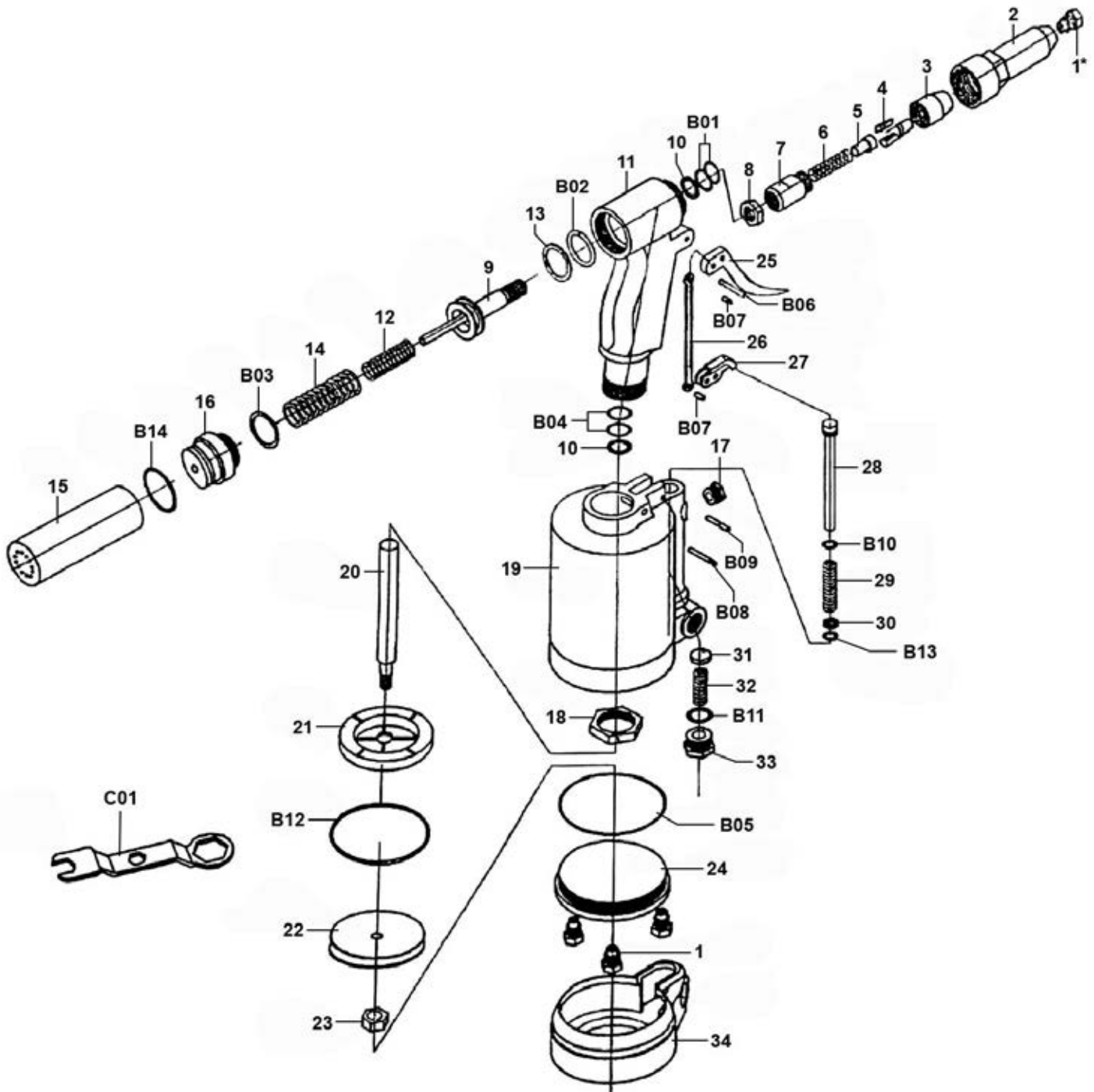




Parts Information:  
**Air/Hydraulic Riveter 3/16" Steel  
 Aluminium & Stainless Steel Rivets  
 Model No: SA31.V3**



Item	Part No.	Description
1*	SA314.V5-01A	Nosepiece 3/32"
1*	SA314.V5-01B	Nosepiece 1/8"
1*	SA314.V5-01C	Nosepiece 5/32"
1*	SA314.V5-01D	Nosepiece 3/16"
2	SA314.V5-02	Cylinder Head

Item	Part No.	Description
3	SA314.V5-03	Jaw Carrier
4	SA314.V5-04	Jaw (Set Of 3)
5	SA314.V5-05	Jaw Pusher
6	SA314.V5-06	Jaw Pusher Spring Dia 9.2mm
7	SA314.V5-07	Jaw Cylinder

**NOTE:** It is our policy to continually improve products and as such we reserve the right to alter data, specifications and component parts without prior notice. There may be alternative versions of this product, please contact us should you require this information.

**IMPORTANT:** No liability is accepted for incorrect use of product. Spare parts must be fitted by a competent person

**WARRANTY:** Guarantee is 12 months from purchase date, proof of which will be required for any claim.

**Sealey Group**, Kempson Way, Suffolk Business Park, Bury St Edmunds, Suffolk. IP32 7AR



01284 757500



01284 703534



sales@sealey.co.uk



www.sealey.co.uk



Parts Information:  
**Air/Hydraulic Riveter 3/16" Steel  
 Aluminium & Stainless Steel Rivets  
 Model No: SA31.V3**

Item	Part No.	Description
8	SA314.V5-08	Case Lock Nut
9	SA314.V5-09	Shaft Axis
10	SA314.V5-10	Plastic Ring
11	SA31.V3-11	Handle
12	SA314.V5-12	Spring Dia15.5mm
13	SA314.V5-13	Plastic Ring
14	SA314.V5-14	Spring Dia 22.5mm
15	SA314.V5-15	Bottle
16	SA314.V5-16	Frame Cap
17	SA312.V2-17	Silencer
18	SA314.V5-18	Frame Lock Nut
19	SA31.V3-19	Air Cylinder
20	SA314.V5-20	Air Piston Stem
21	GSA312.05	Piston Cushion
22	SA312.V2-22	Air Piston
23	SA314.V5-23	Air Piston Lock Nut
24	SA31.V3-24	Air Cylinder Cap
25	SA314.V5-25	Trigger
26	SA314.V5-26	Trigger Rod
27	SA314.V5-27	Trigger Lever
28	SA314.V5-28	Valve Pusher

Item	Part No.	Description
29	SA314.V5-29	Valve Pusher Spring Dia 9.2mm
30	SA314.V5-30	Copper Washer
31	SA314.V5-31	Valve Collar
32	SA314.V5-32	Valve Collar Spring Dia 9mm
33	SA314.V5-33	Valve Collar Nut
34	SA31.V3-34	Base Cover
B01	SA314.V5-B01	O-Ring, (Ex: 16.50 In: 12.20 Cs: 2.15)
B02	2200HL.V2-P39	O-ring, (Ex: 28.88 In: 21.82 Cs: 3.53)
B03	SA314.V5-B03	O-Ring, (Ex: 26.90 In: 23.90 Cs: 1.50)
B04	SA314.V5-B04	Seal
B05	SA312.V2-B05	O-Ring, (Ex: 70.14 In: 66.33 Cs: 1.91)
B06	SA314.V5-B06	Spring Pin M3.4 x 22
B07	SA314.V5-B07	Spring Pin M3.3 X 18
B08	SA314.V5-B08	Trigger Pin
B09	SA314.V5-B09	Spring Pin
B10	GSA08.09-4	O-ring, (Ex: 11.21 In: 7.65 Cs: 1.78)
B11	840.V2-M18	O-ring, (Ex: 15.98 In: 12.42 Cs: 1.78)
B12	SBJ30W.02	O-ring, (Ex: 73.53 In: 62.87 Cs: 5.33)
B13	BS107	O-ring, (Ex: 10.47 In: 5.23 Cs: 2.62)
B14	RE91/10.07	O-ring, (Ex: 36.81 In: 29.75 Cs: 3.53)
C01	SA314.V5-C01	Spanner

**NOTE:** It is our policy to continually improve products and as such we reserve the right to alter data, specifications and component parts without prior notice. There may be alternative versions of this product, please contact us should you require this information.

**IMPORTANT:** No liability is accepted for incorrect use of product. Spare parts must be fitted by a competent person

**WARRANTY:** Guarantee is 12 months from purchase date, proof of which will be required for any claim.

**Sealey Group**, Kempson Way, Suffolk Business Park, Bury St Edmunds, Suffolk. IP32 7AR



01284 757500



01284 703534



sales@sealey.co.uk



www.sealey.co.uk