



INSTRUCTIONS FOR:  
**MOBILE WORKBENCH**  
 MODEL NO: **AP2418.V2**

Thank you for purchasing a Sealey product. Manufactured to a high standard, this product will, if used according to these instructions, and properly maintained, give you years of trouble free performance.

**IMPORTANT:** PLEASE READ THESE INSTRUCTIONS CAREFULLY. NOTE THE SAFE OPERATIONAL REQUIREMENTS, WARNINGS & CAUTIONS. USE THE PRODUCT CORRECTLY AND WITH CARE FOR THE PURPOSE FOR WHICH IT IS INTENDED. FAILURE TO DO SO MAY CAUSE DAMAGE AND/OR PERSONAL INJURY AND WILL INVALIDATE THE WARRANTY. KEEP THESE INSTRUCTIONS SAFE FOR FUTURE USE.



Refer to instruction manual

### 1. SAFETY

- ✓ Read the operator's manual carefully before using your workbench.
- ✗ **DO NOT** open more than one drawer at a time.
- ✗ **DO NOT** step on the drawers.
- ✗ **DO NOT** let children near the workbench.
- ✓ Ensure drawers are fully closed and self locking catch is activated before moving the workbench.
- ✓ Secure brakes when workbench is in the desired position.

### 2. INTRODUCTION

Heavy gauge steel with double wall construction for extra strength and durability. Fitted with oversized, heavy duty Ø160mm wheels, two fixed and two locking castors. Ball bearing drawer runners provide superior performance and carry heavier loads. Each drawer fitted with a catch to prevent unexpected opening when being transported around the workshop. Added security provided by side mounted cylinder lock. Supplied with one lockable cupboard with internal shelving for added storage. Supplied with two keys for drawers and two keys for cupboards. Unique design incorporates perforated side panels for hanging tools and accessories. Ideally suited for the Premier range of modular tool trays. Rust and solvent resistant powder coat paint finish. Fitted with anti-shock protection on all four corners to prevent accidental damage. Heavy duty stainless steel worktop makes these units very durable and a great workstation.

### 3. SPECIFICATIONS

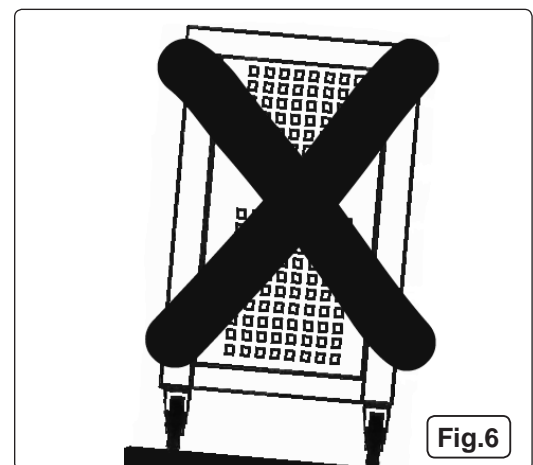
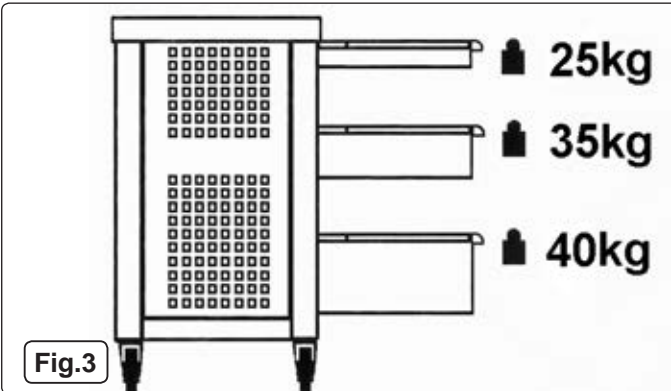
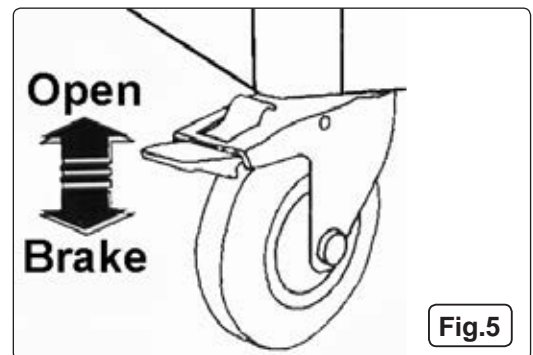
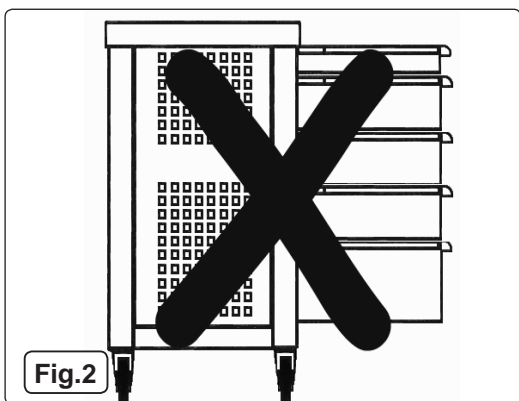
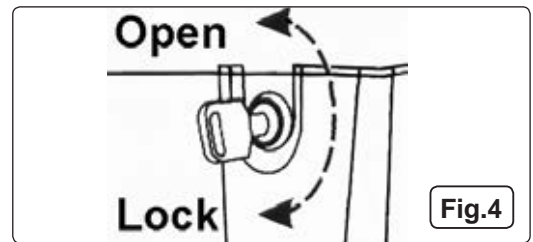
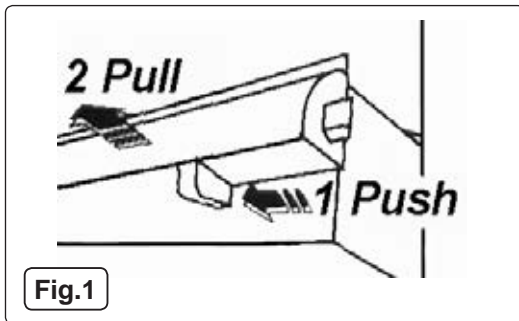
Model no: ..... **AP2418.V2**  
 Overall size: ..... 1130 x 565 x 1000mm  
 Medium drawer (x6): ..... 535 x 400 x 60mm  
 Large drawer (x2): ..... 535 x 400 x 130mm



Optional Accessories	
Model No	Description
AP24ACC2	Side Shelf with Paper Roll Holder
AP24ACC3	Document Holder
AP24ACC4	Waste Bin
AP24ACC5	Can and Bottle Holder
AP24ACC6	Drawer Divider 3 x 395 x 58mm
AP24ACC7	Drawer Divider 3 x 395 x 120mm
AP24ACC9	Short Hook Set x 10pcs
AP24ACC10	Medium Hook Set x 10pcs

## 4. OPERATION

- 4.1. Each drawer is fitted with a catch mechanism on the right hand side of the drawer underneath the handle, to open drawer push the catch to the left to release the catch and pull the drawer open (fig.1).
- ❑ **WARNING!** Only open one drawer at a time (fig.2) and **DO NOT** overload the drawers (fig.3) shows the maximum weight per drawer.
- 4.2. When moving the workbench, ensure that the drawers are closed and locked (fig.4) to prevent accidental opening, release the brakes as shown in fig.5 and move the workbench using the handles and maintain full control. When the workbench has been moved to the required location, lock the brakes.
- ❑ **WARNING! DO NOT** move across slopes of more than 5 degrees as the workbench may tilt (fig.6).



### ENVIRONMENT PROTECTION



Recycle unwanted materials instead of disposing of them as waste. All tools, accessories and packaging should be sorted, taken to a recycling centre and disposed of in a manner which is compatible with the environment. When the product becomes completely unserviceable and requires disposal, drain any fluids (if applicable) into approved containers and dispose of the product and fluids according to local regulations.

**Note:** It is our policy to continually improve products and as such we reserve the right to alter data, specifications and component parts without prior notice.

**Important:** No Liability is accepted for incorrect use of this product.

**Warranty:** Guarantee is 12 months from purchase date, proof of which is required for any claim.

Sealey Group, Kempson Way, Suffolk Business Park, Bury St Edmunds, Suffolk. IP32 7AR

☎ 01284 757500

📠 01284 703534

✉ sales@sealey.co.uk

🌐 www.sealey.co.uk