



# DUST & CHIP EXTRACTORS

MODEL NO: **SM46.V3**

Thank you for purchasing a Sealey product. Manufactured to a high standard, this product will, if used according to these instructions, and properly maintained, give you years of trouble free performance.

**IMPORTANT:** PLEASE READ THESE INSTRUCTIONS CAREFULLY. NOTE THE SAFE OPERATIONAL REQUIREMENTS, WARNINGS & CAUTIONS. USE THE PRODUCT CORRECTLY AND WITH CARE FOR THE PURPOSE FOR WHICH IT IS INTENDED. FAILURE TO DO SO MAY CAUSE DAMAGE AND/OR PERSONAL INJURY AND WILL INVALIDATE THE WARRANTY. KEEP THESE INSTRUCTIONS SAFE FOR FUTURE USE.



Refer to instructions



Wear eye protection



Wear protective gloves



Wear ear protection

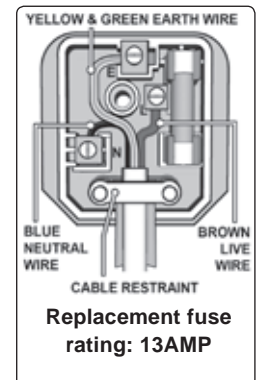


Wear a mask

## 1. SAFETY

### 1.1. ELECTRICAL SAFETY

- WARNING!** It is the user's responsibility to check the following:
  - 1.1.1. Check all electrical equipment and appliances to ensure that they are safe before using. Inspect power supply leads, plugs and all electrical connections for wear and damage. Sealey recommend that an RCD (Residual Current Device) is used with all electrical products. You may obtain an RCD by contacting your local Sealey stockist. If the product is used in the course of business duties, it must be maintained in a safe condition and routinely PAT (Portable Appliance Test) tested.
  - 1.1.2. **Electrical safety information; It is important that the following information is read and understood:**
  - 1.1.3. Ensure that the insulation on all cables and on the appliance is safe before connecting it to the power supply.
  - 1.1.4. Regularly inspect power supply cables and plugs for wear or damage and check all connections to ensure that they are secure.
  - 1.1.5. **IMPORTANT:** Ensure that the voltage rating on the appliance suits the power supply to be used and that the plug is fitted with the correct fuse - see fuse rating in these instructions.
    - \* **DO NOT** pull or carry the appliance by the power cable.
    - \* **DO NOT** pull the plug from the socket by the cable.
    - \* **DO NOT** use worn or damaged cables, plugs or connectors. Ensure that any faulty item is repaired or replaced immediately by a qualified electrician.**NOTE:** This product is fitted with a BS1363/A 13 Amp 3 pin plug.  
**IMPORTANT:** If the cable or plug is damaged during use, switch the electricity supply and remove from use. Ensure that repairs are carried out by a qualified electrician.
- 1.1.6. Replace a damaged plug with a BS1363/A 13 Amp 3 pin plug. If in doubt contact a qualified electrician.
  - A)** Connect the GREEN/YELLOW earth wire to the earth terminal 'E'.
  - B)** Connect the BROWN live wire to the live terminal 'L'.
  - C)** Connect the BLUE neutral wire to the neutral terminal 'N'.
- 1.1.7. Ensure that the cable outer sheath extends inside the cable restraint and that the restraint is tight.
  - ✓ Sealey recommend that repairs are carried out by a qualified electrician.
- 1.1.8. **Cable extension reels. IMPORTANT:** When a cable extension reel is used it should be fully unwound before connection.
- 1.1.9. A cable reel with an RCD fitted is recommended since any product which is plugged into the cable reel will be protected. The section of the cable on the cable reel is important. We recommend that at least 1.5mm<sup>2</sup> section cable but to be absolutely sure that the capacity of the cable reel is suitable for this product and for others that may be used in the other output sockets, we recommend the use of 2.5mm<sup>2</sup> section cable.



### 1.2. GENERAL SAFETY

- WARNING!** Disconnect the extractor from the mains power and ensure the impeller is at a complete standstill before attempting to change accessories, service or perform any maintenance.
- ✓ Maintain the extractor in good condition (use an authorised service agent).
- ✓ *Replace or repair damaged parts. Use recommended parts only. Non-authorised parts may be dangerous and will invalidate the warranty.*
- ✓ Locate the extractor in a suitable working area. Ensure the surface is flat and firm. Keep area clean and tidy and free from unrelated materials, and ensure there is adequate lighting.
- ✓ Keep the extractor clean for best and safest performance and check moving parts alignment regularly.
- ✓ Remove any tools from the extractor and the vicinity before turning it on.
- WARNING!** Wear approved safety eye protection, ear defenders, and gauntlets. If dust is generated, use respiratory protection.
- ✓ Remove ill fitting clothing. Remove ties, watches, rings and other loose jewellery and contain long hair.
- ✓ Maintain correct balance and footing. Ensure the floor is not slippery and wear non-slip footwear.
- ✓ Keep children and unauthorised persons away from the working area.
- \* **DO NOT** use the extractor for any purpose other than that for which it is designed. **DO NOT** pick up glass, metal or water.
- \* **DO NOT** allow untrained persons to operate the extractor.
- \* **DO NOT** get the unit wet or use in damp or wet locations or areas where there is condensation.
- WARNING! DO NOT** use extractor where there are flammable liquids, solids or gases such as petrol, paint solvents, waste rags etc.
- \* **DO NOT** operate the extractor if any parts are missing or damaged as this may cause failure and/or personal injury.
- \* **DO NOT** operate the extractor when you are tired or under the influence of alcohol, drugs or intoxicating medication.
- ✓ When not in use switch the extractor off and isolate from the power supply.

## 2. INTRODUCTION

Mobile workshop extractors suitable for attachment to most static workshop machines including bandsaws, table saws, scroll saws, planers and sanders. Supplied with 2m of Ø100mm suction ducting.

## 3. SPECIFICATION

**Model No:** ..... **SM46.V3**  
**Airflow:** ..... 500cfm  
**Impeller Diameter:** ..... Ø230mm  
**Intake Diameter:** ..... Ø100mm  
**Flex Hose Diameter:** ..... Ø100mm  
**Flex Hose Length:** ..... 2m  
**Motor Power:** ..... 750W  
**Supply:** ..... 230V  
**Nett Weight:** ..... 24.5kg

## 4. ASSEMBLY

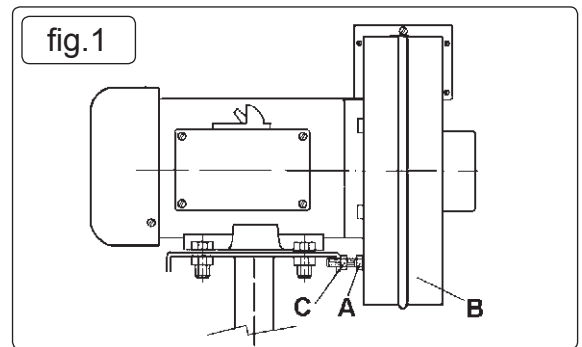
**NOTE: Numbers in brackets are the item numbers on the parts diagram and in the parts list.**

- 4.1. Attach the four castors (1) to the underside of the base (4) using screws (2), washers (3 & 29) and nuts (30). Support base (4) on battens, or similar, raising castors clear of floor to give stability for the following assembly tasks.
- 4.2. With screws (14) and washers (12) attach column (20) to base plate (4).
- 4.3. Attach motor (18) to column (20), so that collector body is positioned as shown in parts diagram, with screws (14) and washers (12).
- 4.4. Install collector (23) to collector body (11) using packing (22) and flange head screws (15). Ensure collector is directly over base.
- 4.5. Attach collector support rods (31) to base with screws (15), M5 washers and nuts, and to collector with screws (2), washers (29) and nuts (30).
- 4.6. Attach filter bag support (35) to collector with screws (34).
- 4.7. Fit upper (filter) bag (25) over upper bag flange on collector (23) and secure by tightening built-in strap. Hook loop on end of bag (25) over support arm (35). Fit second (collector) bag (24) to lower bag flange on collector.  
**NOTE:** Bag clamps (36) are provided and may be used for additional bag security.
- 4.8. Adjust screw (fig.1A) to bear lightly against the side of the collector body (fig.1B) and lock by tightening nut (fig.1C).

## 5. OPERATION

- WARNING! Before operating the extractor ensure that you read, understand and apply the safety instructions in Section 1.**
- 5.1. Confirm that supply voltage matches the voltage shown on the motor data plate and that the motor switch (16) is 'Off'.
- 5.2. Connect extractor hose to the inlet (6) on the collector body (11) and attach other end to extractor point on equipment.
- WARNING! DO NOT operate extractor without the hose attached.**
- 5.3. Plug into mains supply and press motor switch 'On'.
- 5.4. Ensure that the lower bag is emptied of dust and chips on a regular basis and is not allowed to become full.  
**NOTE:** Fitting a reducer to the extraction hose will reduce the volume of dust extracted.
- WARNING!** This unit is not suitable to be used to extract dust via a piped system.

QTY	CONTENTS
1	Collector body with motor
1	Seal
1	Base Plate
1	Inlet Hose (2m)
3	Support Rod
1	Collector
1	Column
1 bag	Screws, nuts, washers
2	Filter / Collector Bag
4	Castors
Unpack the extractor components and check that all are present and undamaged. In case of shortage or damage please contact the supplier.	



### ENVIRONMENT PROTECTION

Recycle unwanted materials instead of disposing of them as waste. All tools, accessories and packaging should be sorted, taken to a recycling centre and disposed of in a manner which is compatible with the environment. When the product becomes completely unserviceable and requires disposal, drain any fluids (if applicable) into approved containers and dispose of the product and fluids according to local regulations.



### WEEE REGULATIONS

Dispose of this product at the end of its working life in compliance with the EU Directive on Waste Electrical and Electronic Equipment (WEEE). When the product is no longer required, it must be disposed of in an environmentally protective way. Contact your local solid waste authority for recycling information.

**Note:** It is our policy to continually improve products and as such we reserve the right to alter data, specifications and component parts without prior notice.

**Important:** No Liability is accepted for incorrect use of this product.

**Warranty:** Guarantee is 12 months from purchase date, proof of which is required for any claim.

Sealey Group, Kempson Way, Suffolk Business Park, Bury St Edmunds, Suffolk. IP32 7AR



01284 757500



01284 703534



sales@sealey.co.uk



www.sealey.co.uk