



INSTRUCTIONS FOR:

RETRACTING AIR HOSE REEL

MODEL: **SA90.V2**

Thank you for purchasing a Sealey product. Manufactured to a high standard, this product will, if used according to these instructions and maintained properly, give you years of trouble free performance.

IMPORTANT: PLEASE READ THESE INSTRUCTIONS CAREFULLY. NOTE THE SAFE OPERATIONAL REQUIREMENTS, WARNINGS & CAUTIONS. USE THE PRODUCT CORRECTLY AND WITH CARE FOR THE PURPOSE FOR WHICH IT IS INTENDED. FAILURE TO DO SO MAY CAUSE DAMAGE AND/OR PERSONAL INJURY AND WILL INVALIDATE THE WARRANTY. KEEP THESE INSTRUCTIONS SAFE FOR FUTURE USE.



Refer to Instruction Manual



Wear Eye Protection

1. SAFETY

- ✓ Familiarise yourself with this products application and limitations, as well as the specific potential hazards peculiar to the air hose reel.
- ☐ **WARNING!** Disconnect the air hose reel from the air supply before changing accessories, servicing or performing any maintenance.
- ✓ Maintain air hose reel in good condition (use an authorised service agent). **WARNING! only a qualified technician should open the unit, as a high tension spring is enclosed which if allowed to unwind in an uncontrolled manner may cause serious personal injury.**
- ✓ Replace or repair damaged parts. *Use genuine parts only. Unauthorised parts may be dangerous and will invalidate the warranty.*
- ✓ Locate and fix the air hose reel in an adequate working area for its function. **DO NOT** fix the hose in direct sun light, or in areas of extreme hot or cold. Ensure there is adequate lighting in order to see the hose operation clearly.
- ☐ **WARNING!** ensure correct air pressure is maintained and not exceeded.
- ✓ Keep extended air hose away from heat, oil and sharp edges. Check hose for wear before each use, and ensure all connections are secure.
- ✓ Keep the unwound air hose at a safe distance from the working area, and free from wet, damp, oily surfaces. Protect from sharp edges and instruments, sources of heat and dangerous substances.
- ☐ **WARNING!** Always wear approved eye or face protection when operating the air hose reel.
- ✓ Maintain correct balance and footing. Ensure the floor is not slippery and wear non slip shoes.
- ✓ Remove ill fitting clothing. Remove ties, watches, rings, and other loose jewellery, and contain and/ or tie back long hair.
- ✓ Keep children and unauthorised persons away from the working area.
- ✗ **DO NOT** operate the air hose reel if any parts are damaged or missing as this may cause failure or possible personal injury.
- ✗ **DO NOT** use the air hose reel for any purpose other than for which it is designed.
- ✗ **DO NOT** pull the hose from the air supply abruptly.
- ✗ **DO NOT** operate the air hose reel when you are tired, under the influence of alcohol, drugs or intoxicating medication.
- ✗ **DO NOT** direct air from the air hose at yourself or others.
- ✓ When not in use ensure the air supply is turned off and tools disconnected. Disconnect from the air supply and retract the hose into case.
- ☐ **WARNING! DO NOT open the unit. The hose must only be replaced by a qualified technician. Contact your local authorised service agent.**

2. INTRODUCTION

Robust metal case for heavy-duty applications. TPU (Thermoplastic Polyurethane) Hose can be extended and retracted by simple pull and release mechanism. Supplied with swivel mounting bracket for fixing to wall or ceiling.

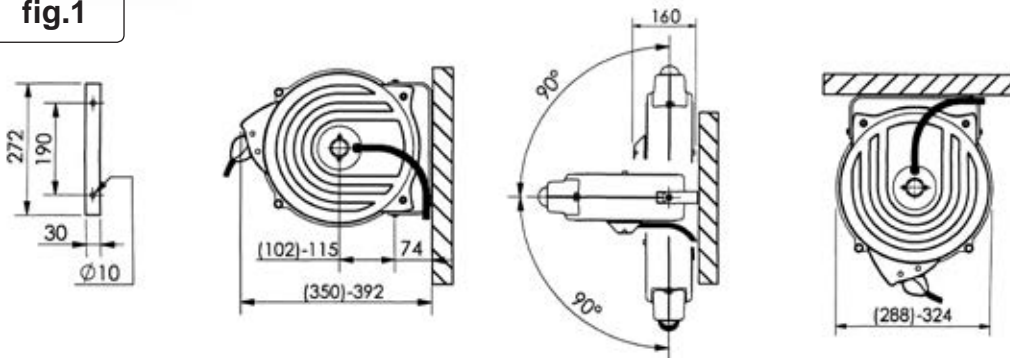
3. SPECIFICATION

Model No: **SA90.V2**
 Hose Length: 12mtr
 Hose Size (ID/OD): Ø8/12mm
 Maximum Pressure: 280psi
 Hose Type: TPU
 Inlet-Outlet: Ø8mm - 1/4" BSP



4. FITTING

fig.1



- ❑ **WARNING! Ensure hose is disconnected from air supply. Do not fix the hose in direct sun light, or in areas of extreme hot or cold.**

4.1. FITTING TO THE WALL.

- 4.1.1. Ensure the wall, or structure to which the air hose is to be fixed is of sound construction, and that the securing point will hold the working strain of the hose when in use.
- 4.1.2. Vertically align air hose supporting bracket (fig.1), with surface to which it will be mounted and mark the fixing hole location on surface.
- ▲ **IMPORTANT: The hose reel must be mounted at a minimum height of 2.5m from the floor in order to prevent accidents during work operations.**
- 4.1.3. Plug the wall, or ensure the screw mounting holes will sustain the weight of the air hose reel when in use.
- 4.1.4. Screw the support bracket to the supporting surface using two 8mm diameter screws.
- 4.1.5. Check that the main body will adequately turn to allow the hose to be extended without rubbing on either side of the air hose housing.
- 4.1.6. Before use, check that all fixings are safe and secure, and that the hose will extend and retract with ease.

4.2. FITTING TO THE CEILING OR A HORIZONTAL SURFACE.

- 4.2.1. Ensure the ceiling (or horizontal) to which the air hose reel is to be fixed is of sound construction and that the securing point (e.g: joist, or beam).will hold the working strain of the hose when in use,
- 4.2.2. Align air hose reel supporting bracket (fig.1), with surface to which it will be mounted and mark fixing hole location on surface.
- ▲ **IMPORTANT: The hose reel must be mounted at a minimum height of 2.5m from the floor in order to prevent accidents during work operations.**
- 4.2.3. Screw the support bracket to the fixing point (e.g. joist) using two 8mm diameter screws.
- 4.2.4. Check that the main body will adequately turn to allow the hose to be extended without rubbing on either side of the air hose housing.
- 4.2.5. Before use, check that all fixings are safe and secure, and that the hose will extend and retract with ease.

4.3. CONNECTING THE AIR SUPPLY.

Connect the hose reel to an air supply with the flexible hose. The installation of an air valve or regulator on the feed line of the hose reel is recommended, so that the air may be turned off for service or in case of an emergency.

5. OPERATION

- ❑ **WARNING! Ensure you have read, understood, and apply section 1 safety instructions when using the hose.**

- 5.1. Connect and turn on the air supply.
- 5.2. Locate the ball grip on the hose and pull the hose out of the unit until you have extended it to the area of use. An intermittent fast clicking noise will be discerned as the hose passes through the clamping mechanism. When you stop pulling the hose it will remain clamped at that length.
- 5.3. To extend the hose further, take the ball grip and continue to pull accordingly.
- 5.4. Connect the hose to air tool.
- 5.5. To release and allow the hose to automatically rewind, extend the hose a little further, and release during the intermittent stage between the fast clicking noise.
- 5.6. Turn off and disconnect the air supply.

6. MAINTENANCE

- ❑ **WARNING! Before attempting maintenance or inspection, release any pressure remaining in hose.**
- 6.1. Clean the hose and main housing regularly. **DO NOT** spray or wet the product, but clean with a damp cloth. **DO NOT** use solvents or detergents, as these may permanently damage the item.
- 6.2. Periodically check for leaks and that the hose has a smooth extending operation. Check main housing outlet rollers are in good order.
- 6.3. **STORAGE:**
Should you wish to store the air hose away, ensure it is clean, and dry. Place the item in a dark, safe, dry, child proof location, where the temperature will remain reasonably stable.

Environmental Protection



Recycle unwanted materials instead of disposing of them as waste. All tools, accessories and packaging should be sorted, taken to a recycling centre and disposed of in a manner which is compatible with the environment. When the product becomes completely unserviceable and requires disposal, drain off any fluids (if applicable) into approved containers and dispose of the product and the fluids according to local regulations.

NOTE: It is our policy to improve products continually and as such we reserve the right to alter data, specifications and component parts without prior notice.

IMPORTANT: No liability is accepted for incorrect use of this product.

WARRANTY: Guarantee is 12 months from purchase date, proof of which will be required for any claim.



Sole UK Distributor, Sealey Group,
Kempson Way, Suffolk Business Park,
Bury St. Edmunds, Suffolk,
IP32 7AR



01284 757500

01284 703534



www.sealey.co.uk

sales@sealey.co.uk