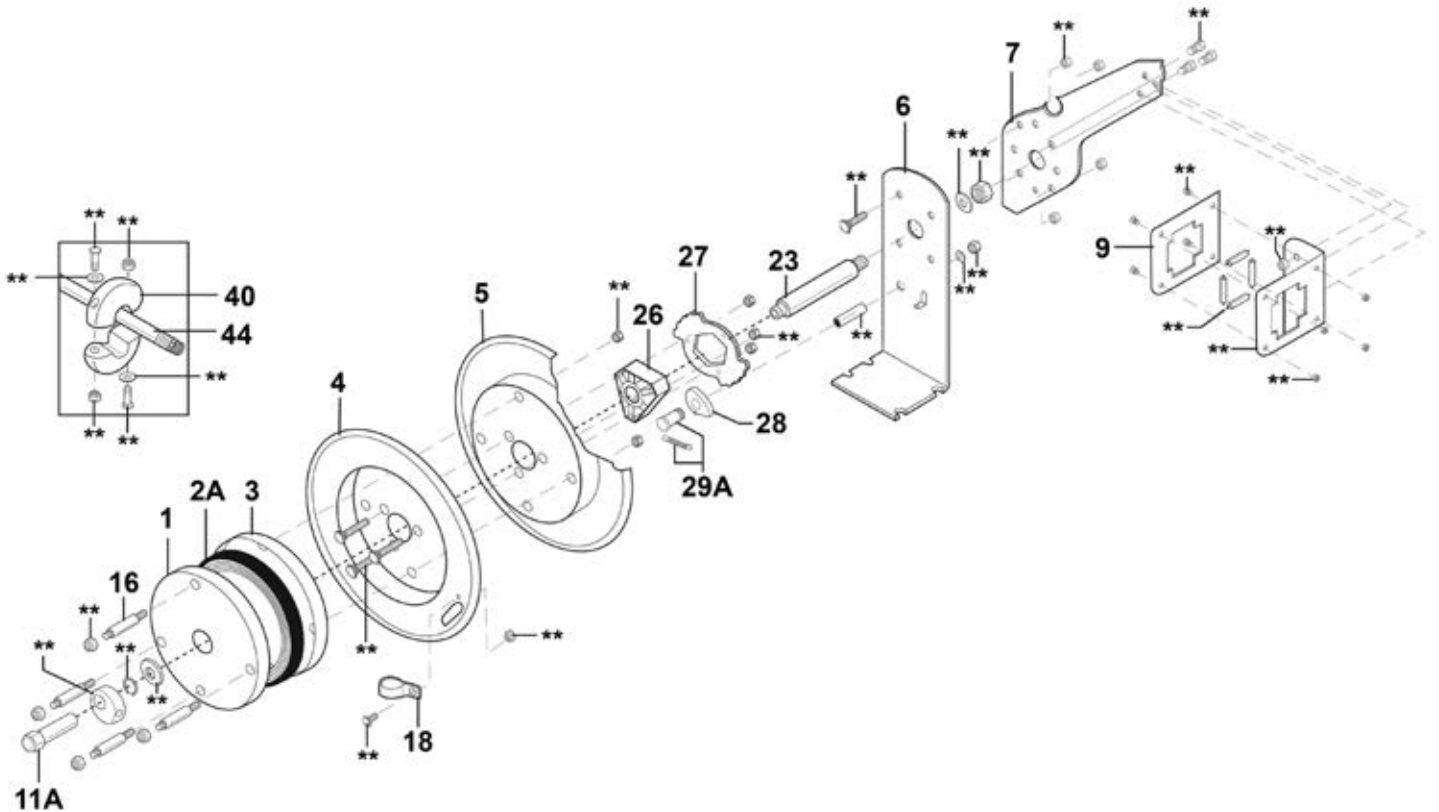




Parts Information:
**Retractable Air Hose Steel Reel 8m Ø10mm
 ID Rubber Hose
 Model No: SA84.V2**



Item	Part No.	Description
1	SA84.V2-01	Main Spring Cover (Outside)
2A	SA84.V2-02A	Main Spring Assembly
3	SA84.V2-03	Main Spring Cover (Inside)
4	SA84.V2-04	Drum (Outside)
5	SA84.V2-05	Drum (Inside)
6	SA84.V2-06	Support Leg & Base
7	SA84.V2-07	Guide Arm
8	SA84.V2-08	Hose Guide Collar
9	SA84.V2-09	Back Plate
10	SA84.V2-10	Roller & Pin Set
11A	SA84.V2-11A	Air Inlet Valve (C/w Swivel Connector)

Item	Part No.	Description
16	SA84.V2-16	Threaded Axle (Double Ended)
18	SA84.V2-18	Hose Clamp
23	SA84.V2-23	Axle
26	SA84.V2-26	Locking Gear Hub
27	SA84.V2-27	Locking Gear
28	SA84.V2-28	Locking Pawl
29A	SA84.V2-29A	Locking Pawl Axle (C/w Spring)
40	SA84.V2-40	Hose Stopper
44	SA84.V2-44	Air Hose
**	SA84.V2-FK	Complete Kit for Fixings (Not Shown)
--	SA84.V2-IH	Air Inlet Hose (Short) (Not Shown)

NOTE: It is our policy to continually improve products and as such we reserve the right to alter data, specifications and component parts without prior notice. There may be alternative versions of this product, please contact us should you require this information.

IMPORTANT: No liability is accepted for incorrect use of product. Spare parts must be fitted by a competent person

WARRANTY: Guarantee is 12 months from purchase date, proof of which will be required for any claim.

Sealey Group, Kempson Way, Suffolk Business Park, Bury St Edmunds, Suffolk. IP32 7AR



01284 757500



01284 703534



sales@sealey.co.uk



www.sealey.co.uk