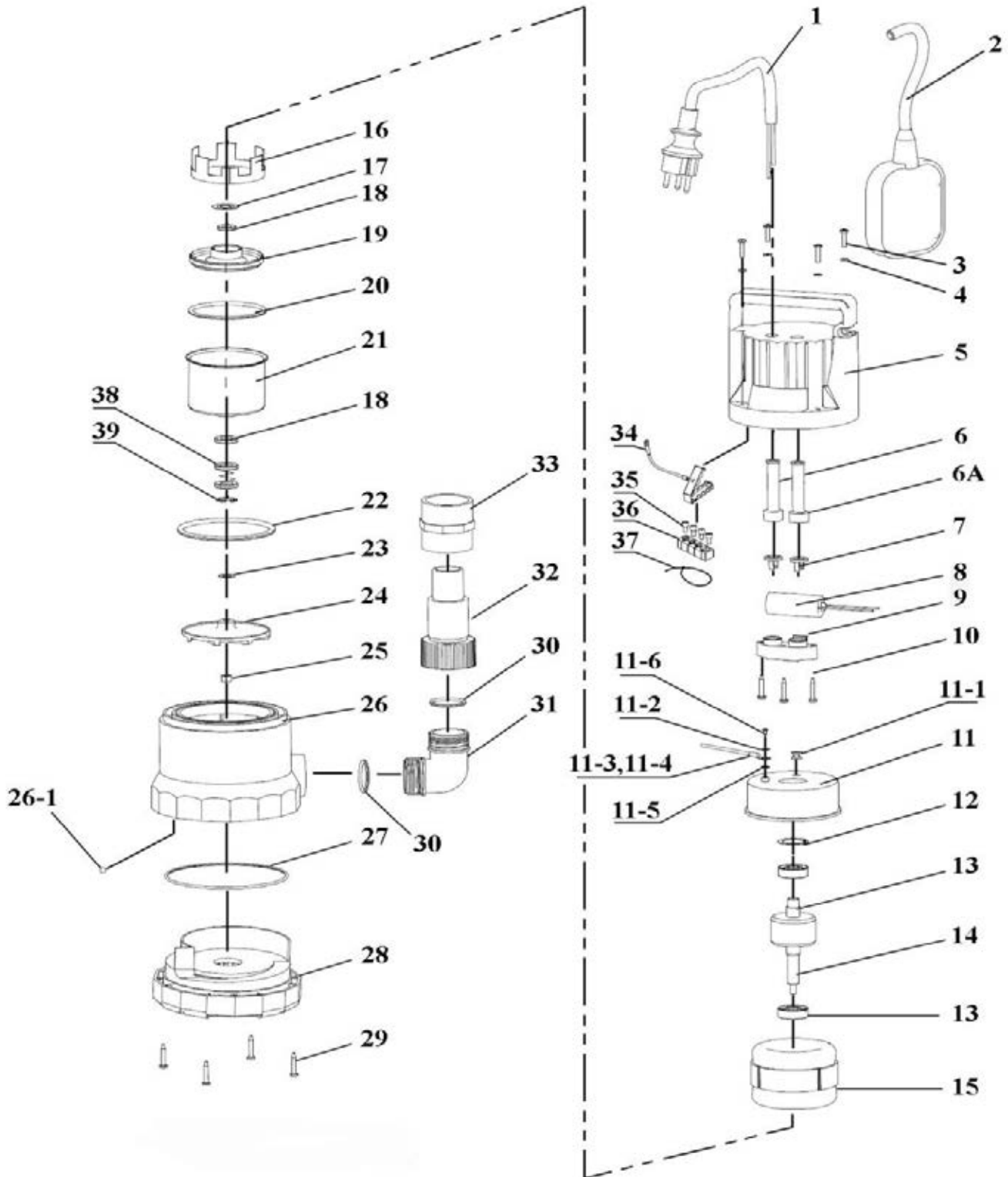




Parts Information:
Submersible Water Pump Automatic 167ltr/
min 230V
Model No: WPC150A.V2



NOTE: It is our policy to continually improve products and as such we reserve the right to alter data, specifications and component parts without prior notice.

IMPORTANT: No liability is accepted for incorrect use of product.

WARRANTY: Guarantee is 12 months from purchase date, proof of which will be required for any claim.

Sealey Group, Kempson Way, Suffolk Business Park, Bury St Edmunds, Suffolk. IP32 7AR



01284 757500



01284 703534



sales@sealey.co.uk



www.sealey.co.uk



Parts Information:
**Submersible Water Pump Automatic 167ltr/
 min 230V**
Model No: WPC150A.V2

1	WP08701001	POWER CABLE
2	WPC150AV2.02	FLOAT SWITCH
3	WPC150V2.02	SELF-TAPPING SCREW (4.5x30)
4	WP03802031	WASHER
5	WP00302015	REAR PUMP CASING
--	WPC150V2.04-1	HANDLE COVER (NOT SHOWN)
--	WPD235AV2.05B	REAR PUMP HOUSING (NOT SHOWN)
6	WP05201036	CABLE SHEATH
6A	WP05201033	CABLE SHEATH
7	WP05602008	CABLE PRESS PAD
7A	WP05602005	CABLE PRESS PAD
8	WPC150V2.08	CAPACITOR 8uF
9	WP05501001	CABLE GRIP
10	WP07802018	SELF-TAPPING SCREW
11	WP02602004	COVER
11.1	WP05202003	CABLE SHEATH
11.2	WPC150V2.11-2	WASHER
11.3	WP08601010	YELLOW/GREEN WIRE
11.4	WP04102006	WIRE CONNECTING PAD
11.5	WPC150V2.11-5	WASHER
11.6	WP818	SCREW M4X8
12	WP03801001	WAVE WASHER
13	B/6201ZZ	BEARING 6201ZZ
14	WPC150V2.14	ROTOR
15	WPC150V2.15	STATOR
16	WPC235V2.16	BUSHING
17	WP03802023	WASHER

Item	Part No.	Description
18	WPC150V2.18	SEAL
19	WP04204001	ALUMINUM BUSHING
20	WPC150V2.20	O-RING
21	WPC150V2.21	FRONT COVER
22	WP05101010	O-RING
23	WPC250.23	ADJUSTABLE WASHER
--	WPC250.23-1	ADJUSTABLE WASHER (NOT SHOWN)
24	WPC150V2.24	IMPELLER
25	WPC150V2.25	NUT
26	WP02901010	MAIN PUMP CASING
--	WP3086	STEEL BALL (NOT SHOWN)
27	WPC250.27	O-RING
28	WPC250.28	BASE
29	WP845I	SELF TAPPING SCREW ST4.2x32
30	WPC150V2.30	O-RING
31	WPC250.31	ELBOW
32	WPC250.32	OUTLET CONNECTOR
33	WPC250.33	FLEXIBLE CONNECTOR
34	WP04105006	GROUND COVER
35	WP04101001	NYLON SAFETY PRESS LINE CAP
--	WP04101003	NYLON SAFETY PRESS LINE CAP (NOT SHOWN)
36	WP03203012	RUBBER CLIP
37	WP08501001	CABLE TIE
38	WP06101007	MECHANICAL SEAL
39	WPC150V2.39	BLOCK

NOTE: It is our policy to continually improve products and as such we reserve the right to alter data, specifications and component parts without prior notice.

IMPORTANT: No liability is accepted for incorrect use of product.

WARRANTY: Guarantee is 12 months from purchase date, proof of which will be required for any claim.

Sealey Group, Kempson Way, Suffolk Business Park, Bury St Edmunds, Suffolk. IP32 7AR



01284 757500



01284 703534



sales@sealey.co.uk



www.sealey.co.uk