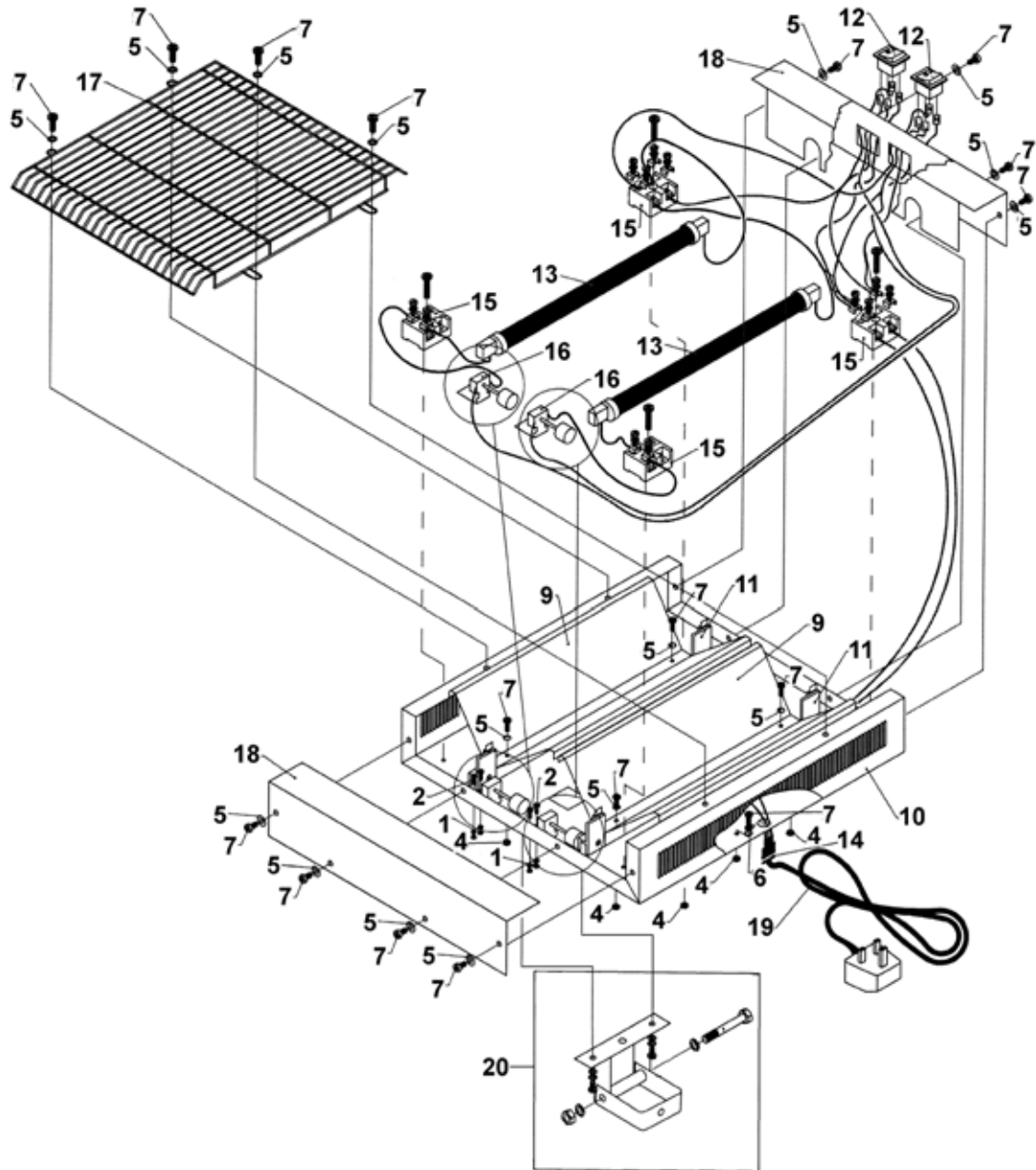


Parts Information:
Infrared Quartz Heater - Tripod Mounted
3000W/230V
Model No: LP3000



Item	Part No.	Description
1	LP3000.301	NUTS (PACK OF 10)
2	LP3000.310	SCREWS (PACK OF 10)
--	FWM4.S	FLAT WASHER M4 SINGLE (NOT SHOWN)
4	IWMH4500.501	NUTS (PACK OF 10)
5	IWMH4500.502	WASHERS (PACK OF 10)
7	IWMH1500.511	SCREW (PACK OF 10)
--	IWMH4500.512	SCREWS (PACK OF 10) (NOT SHOWN)
9	IWMH4500.704	MAIN REFLECTOR
10	IWMH3000.742	MAIN BODY
11	LP3000.752	LAMP HOLDER

Item	Part No.	Description
12	LP1500.V2-SW	SWITCH FOR LP1500.V2
13	INF64241530	LAMP, HALOGEN, RUBY QUARTZ INFRA RED, 24
14	IWMH1500.SR	STRAIN RELIEF
15	IWMH4500.TB	TERMINAL BLOCK
16	LP3000.781078	TILT SWITCH
17	LP3000.Q2FSG	GUARD
18	LP3000.EPR	END PLATE / REFLECTOR (PAIR)
19	MC3CX0.75	MAINS CABLE BLK, 3 CORE, 0.75 MM2
20	LP3000.HLTPB	MOUNTING BRACKET COMPLETE
--	LP3000.HLSB	STAND (TRIPOD) (NOT SHOWN)

NOTE: It is our policy to continually improve products and as such we reserve the right to alter data, specifications and component parts without prior notice.

IMPORTANT: No liability is accepted for incorrect use of product.

WARRANTY: Guarantee is 12 months from purchase date, proof of which will be required for any claim.