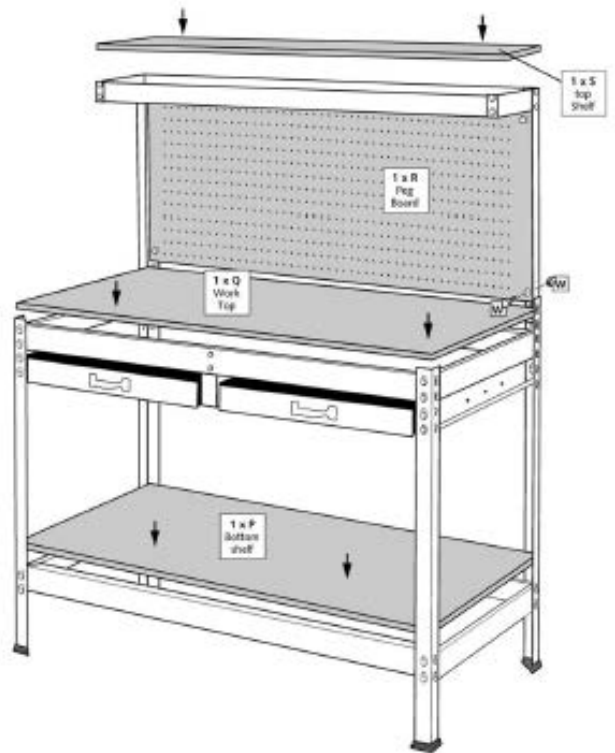
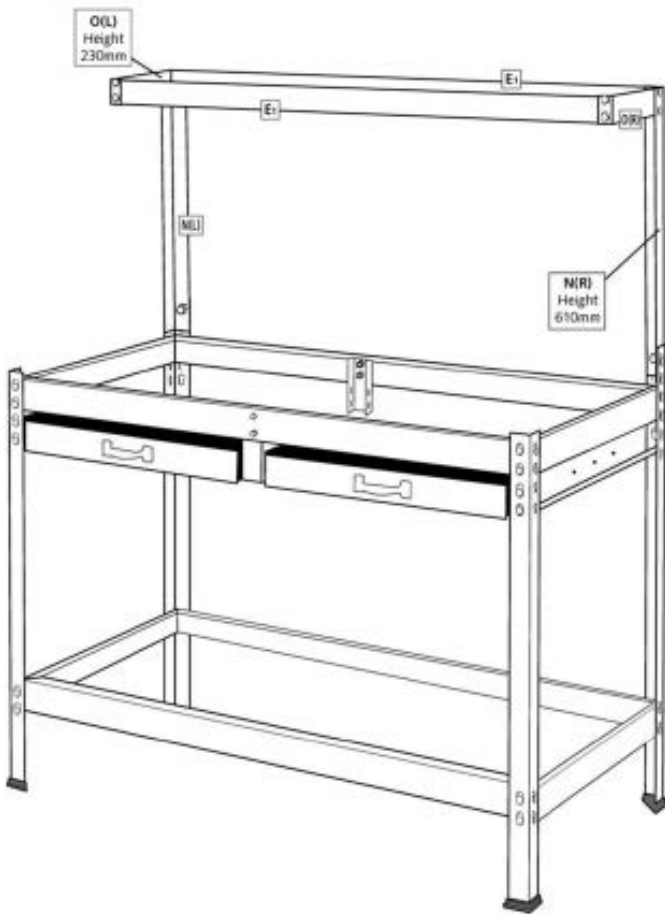


**NOTE:** It is our policy to continually improve products and as such we reserve the right to alter data, specifications and component parts without prior notice. There may be alternative versions of this product, please contact us should you require this information.

**IMPORTANT:** No liability is accepted for incorrect use of product. Spare parts must be fitted by a competent person

**WARRANTY:** Guarantee is 12 months from purchase date, proof of which will be required for any claim.



Item	Part No.	Description
A	AP12600.V3-A	Left (Right) Front Post (900mm)
BL	AP12600.V3-BL	Left Rear Post (966mm)
BR	AP12600.V3-BR	Right Rear Post (966mm)
C	AP12600.V3-C	Feet
D	AP12600.V3-D	Side Beams (592mm)
E	AP12600.V3-E	Bottom Beams (1200mm)
E1	AP12600.V3-E1	Bottom Top (1197mm)
F	AP12600.V3-F	Front (Rear) Shelf Beam (1200mm)
G	AP12600.V3-G	Drawer Mounts, Front/Rear (135mm)
HL	AP12600.V3-HL	Drawer Mounts, Left (605mm)
HR	AP12600.V3-HR	Drawer Mounts, Right (605mm)
IL	AP12600.V3-IL	Drawer Mounts, Centre Left (605mm)
IR	AP12600.V3-IR	Drawer Mounts, Centre Right (605mm)
J	AP12600.V3-J	Front Panel For Drawer (530mm)
K	AP12600.V3-K	Rear Panel For Drawer (510mm)
LL	AP12600.V3-LL	Left Side Panel For Drawer (455mm)

Item	Part No.	Description
LR	AP12600.V3-LR	Right Side Panel For Drawer (455mm)
NL	AP12600.V3-NL	Left Extension Post (610mm)
NR	AP12600.V3-NR	Right Extension Post (610mm)
OL	AP12600.V3-OL	Left Top Shelf Beams (230mm)
OR	AP12600.V3-OR	Right Top Shelf Beams (230mm)
P	AP12600.V3-P	Bottom Shelf (1210 x 605 x 15mm)
Q	AP12600.V3-Q	Worktop (1210 x 603 x 15mm)
R	AP12600.V3-R	Peg Board (1210 x 580 x 4.5mm)
S	AP12600.V3-S	Top Shelf (1205 x 228 x 4.5mm)
T	AP12600.V3-T	Drawer Bottom (512 x 450 x 6mm)
U	AP12600.V3-U	Drawer Handle
V	AP12600.V3-V	Drawer handle kit (Nuts/Bolts - M4x10mm)
W	AP12600.V3-W	Fixing Kit (Bolts/Washers/Nuts - M6x15mm)
Y	AP12600.V4-Y	Fixing Kit (Nuts/Bolts/Washers - M6x10)
--	AP12600.V3-X	Hook (Single) (Not Shown)
--	AP12600.V3-XH	Hook (Pack Of 20) (Not Shown)

**NOTE:** It is our policy to continually improve products and as such we reserve the right to alter data, specifications and component parts without prior notice. There may be alternative versions of this product, please contact us should you require this information.

**IMPORTANT:** No liability is accepted for incorrect use of product. Spare parts must be fitted by a competent person

**WARRANTY:** Guarantee is 12 months from purchase date, proof of which will be required for any claim.