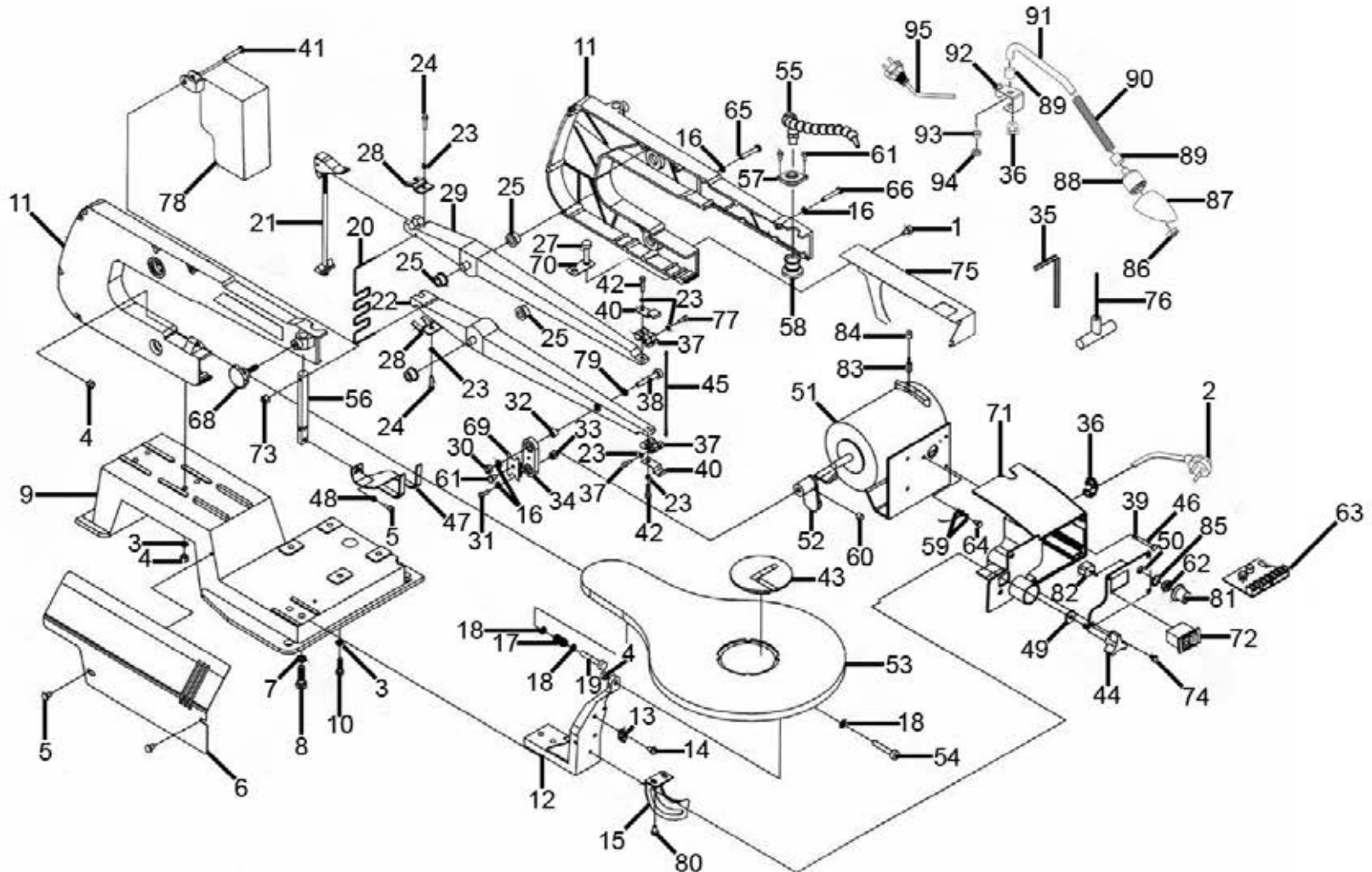




Parts Information:
Variable Speed Scroll Saw 406mm Throat 230V
Model No: SM1302.V2



NOTE: It is our policy to continually improve products and as such we reserve the right to alter data, specifications and component parts without prior notice.

There may be alternative versions of this product, please contact us should you require this information.

IMPORTANT: No liability is accepted for incorrect use of product. Spare parts must be fitted by a competent person

WARRANTY: Guarantee is 12 months from purchase date, proof of which will be required for any claim.

Sealey Group, Kempson Way, Suffolk Business Park, Bury St Edmunds, Suffolk. IP32 7AR



01284 757500



01284 703534



sales@sealey.co.uk



www.sealey.co.uk



Parts Information:
**Variable Speed Scroll Saw 406mm Throat
230V
Model No: SM1302.V2**

Item	Part No.	Description
1	SM1302.V2-01	Screw ST4.2 x 10mm
2	SM1302.V2-02	Power Supply
3	SM1302.V2-03	Spring Washer M6
4	SM1302.V2-04	Hex Nut M6
5	SM1302.V2-05	Pan Head Screw M5 x 10mm
6	SM1302.V2-06	Plate Cover
7	SM1302.V2-07	Spring Washer M8
8	SM1302.V2-08	Bolt M8 x 25mm
9	SM1302.V2-09	Base
10	SM1302.V2-10	Bolt M6 x 20mm
11	SM1302.V2-11	Arm Housing Assembly
12	SM1302.V2-12	Support, Table
13	SM1302.V2-13	Scale Indicator
14	SM1302.V2-14	Pan Head Screw M6 x 12mm
15	SM1302.V2-15	Bevel Scale
16	SM1302.V2-16	Spring Washer M5
17	SM1302.V2-17	Spring
18	SM1302.V2-18	Flat Washer M6
19	SM1302.V2-19	Hex Head Bolt M6 x 40mm
20	SM1302.V2-20	Spring
21	SM1302.V2-21	Bolt, Tension
22	SM1302.V2-22	Arm, Lower
23	SM1302.V2-23	Spring Washer M4
24	SM1302.V2-24	Hex Head Screw M4 x 10mm
25	SM1302.V2-25	Bearing Flange
27	SM1302.V2-27	Bolt M6 x 25mm
28	SM1302.V2-28	Retainer
29	SM1302.V2-29	Arm, Upper
30	SM1302.V2-30	Hex Nut M5
31	SM1302.V2-31	Hex Head Screw M5 x 20mm
32	B/625ZZ	Bearing
33	SM1302.V2-33	Washer
34	SM1302.V2-34	Link
35	SM1302.V2-35	Hex Key

Item	Part No.	Description
36	SM1302.V2-36	Strain Relief
37	SM1302.V2-37	Blade Holder
38	SM1302.V2-38	Hex Head Screw M5 x 25mm
39	SM1302.V2-39	Flat Washer M4
40	SM1302.V2-40	Plate Chip
41	SM1302.V2-41	Pan Head Screw ST4.2 x 10mm
42	SM1302.V2-42	Hex Head Screw M4 x 16mm
43	SM1302.V2-43	Insert, Table
44	SM1302.V2-44	Knob, Table Lock
45	SM1302.V2-45	Blade
46	SM1302.V2-46	Pan Head Screw M4 x 16mm
47	SM1302.V2-47	Drop Foot
48	SM1302.V2-48	Tooth Washer M5
49	SM1302.V2-49	Washer M6
50	SM1302.V2-50	Fixing Plate, Switch
51	SM1302.V2-51	Motor
52	SM1302.V2-52	Eccentric
53	SM1302.V2-53	Table
54	SM1302.V2-54	Hex Head Bolt M6 x 35mm
55	SM1302.V2-55	Sawdust Blower
56	SM1302.V2-56	Height Adjustment
57	SM1302.V2-57	Lock, Bellows
58	SM1302.V2-58	Bellows
59	SM1302.V2-59	Tooth Washer M4
60	SM1302.V2-60	Set Screws M8 x 8mm
61	SM1302.V2-61	Pan Head Screw ST4.2 x 8mm
62	SM1302.V2-62	Hex Nut
63	SM1302.V2-63	PCB
64	SM1302.V2-64	Pan Head Screw M4 x 6mm
65	SM1302.V2-65	Pan Head Screw M5 x 35mm
66	SM1302.V2-66	Pan Head Screw M5 x 30mm
68	SM1302.V2-68	Knob
69	SM1302.V2-69	Bearing Retainer
70	SM1302.V2-70	Set Plate

NOTE: It is our policy to continually improve products and as such we reserve the right to alter data, specifications and component parts without prior notice. There may be alternative versions of this product, please contact us should you require this information.

IMPORTANT: No liability is accepted for incorrect use of product. Spare parts must be fitted by a competent person

WARRANTY: Guarantee is 12 months from purchase date, proof of which will be required for any claim.

Sealey Group, Kempson Way, Suffolk Business Park, Bury St Edmunds, Suffolk. IP32 7AR



01284 757500



01284 703534



sales@sealey.co.uk



www.sealey.co.uk



Parts Information:
**Variable Speed Scroll Saw 406mm Throat
230V
Model No: SM1302.V2**

Item	Part No.	Description
71	SM1302.V2-71	Housing, Switch
72	SM1302.V2-72	Switch, Power
73	SM1302.V2-73	Hex Nut M5
74	SM1302.V2-74	Screw ST4.2 x 13mm
75	SM1302.V2-75	Cover, Back Plate
76	SM1302.V2-76	Hex Key
77	SM1302.V2-77	Hex Head Screw M4 x 16mm
78	SM1302.V2-78	Blade Guard
79	SM1302.V2-79	Flat Washer M5
80	SM1302.V2-80	Pan Head Screw M5 x 8mm
81	SM1302.V2-81	Knob
82	SM1302.V2-82	Relay
83	SM1302.V2-83	Carbon Brush (Pair)

Item	Part No.	Description
84	SM1302.V2-84	Carbon Brush Cover
85	SM1302.V2-85	Lock Washer M10
86	SM1302.V2-86	Ring
87	SM1302.V2-87	Lamp Cover
88	SM1302.V2-88	Socket
89	SM1302.V2-89	Tube
90	SM1302.V2-90	Nylon Tube
91	SM1302.V2-91	Pipe
92	SM1302.V2-92	Connection Assembly
93	SM1302.V2-93	Spring Washer
94	SM1302.V2-94	Nut M10
95	SM1302.V2-95	Power Cord (c/w Plug)

NOTE: It is our policy to continually improve products and as such we reserve the right to alter data, specifications and component parts without prior notice. There may be alternative versions of this product, please contact us should you require this information.

IMPORTANT: No liability is accepted for incorrect use of product. Spare parts must be fitted by a competent person

WARRANTY: Guarantee is 12 months from purchase date, proof of which will be required for any claim.

Sealey Group, Kempson Way, Suffolk Business Park, Bury St Edmunds, Suffolk. IP32 7AR



01284 757500



01284 703534



sales@sealey.co.uk



www.sealey.co.uk